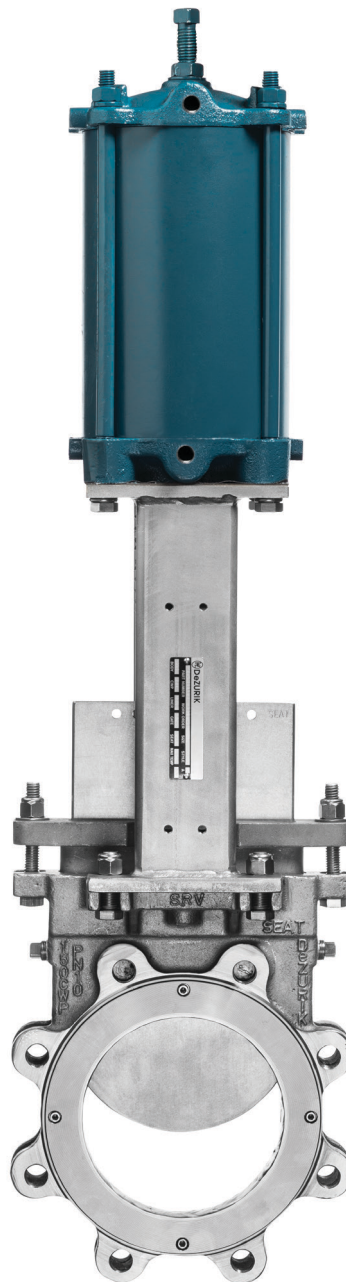


DeZURIK KGC-MD MAXIMUM DUTY CAST KNIFE GATE VALVES



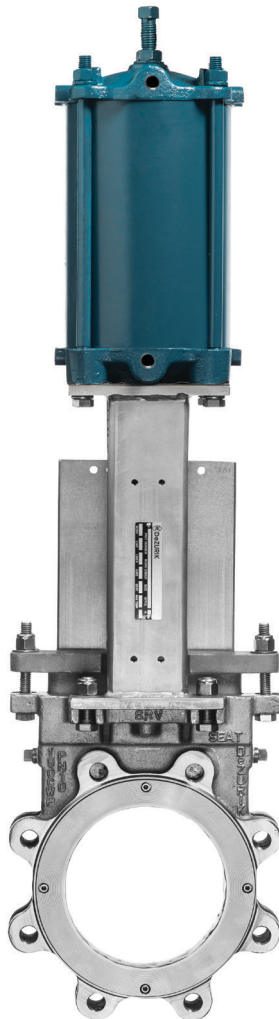
Design and Construction

DeZURIK KGC-MD Maximum Duty Cast Knife Gate Valves are designed to provide long service life in highly abrasive applications including Pulp and Paper, Mining, Chemical, Petrochemical, Power, Steel and Food Processing industries. These Maximum Duty Knife Gate Valves are specifically designed to provide the capabilities needed in demanding services such as sand, medium slurry, pulp stock, mining tailings and corrosive media with grit.

The KGC-MD Knife Gate Valves are available in 3-24" (80-600mm) sizes with metal or dual metal and resilient seats. To withstand highly abrasive media, the valves are available with a replaceable hardened seat, hardened gate, full 100% port opening, high performance packing system with wire scraper rings, and heavy-duty superstructure. All these features combine to provide a longer service life, less downtime and less maintenance than other valves designed for these tough applications.

Heavy-Duty Cast Body

The cast body and packing gland are available in 304 and 316 Stainless Steel with ASME Class 150 flanges. The body features cast gate guides to provide support for the moving gate. Cast gate jams at the bottom of the body hold the gate securely against the seat to assure positive shutoff. The body has raised face end connections with drilled and tapped lugs. Additional body materials include 317, 254, 2205 duplex stainless steel or Hastelloy C.

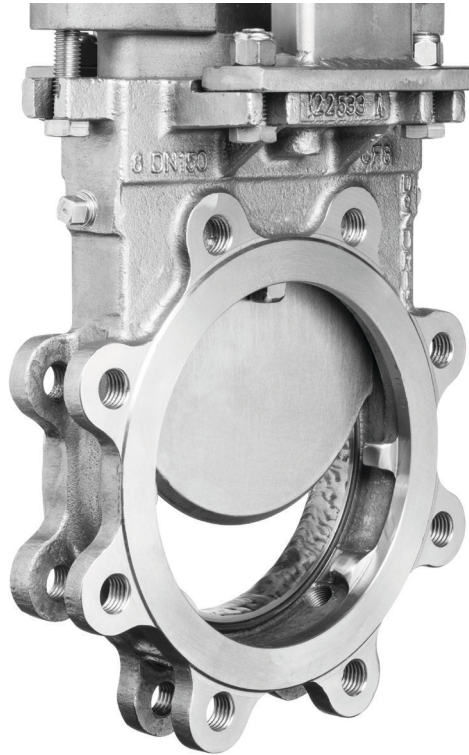


Full Port ID

The 100% area round port on the KGC-MD allows high flow capacity and minimum pressure drop. The seat ID is equal to the inside diameter of standard (ASME B36.10) pipe.

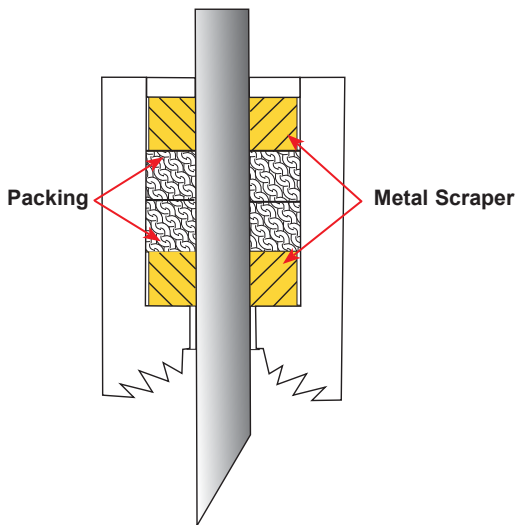
Purges in Chest and Seat Area

As an option, purges in both the chest and seat area are available to prevent process media buildup.



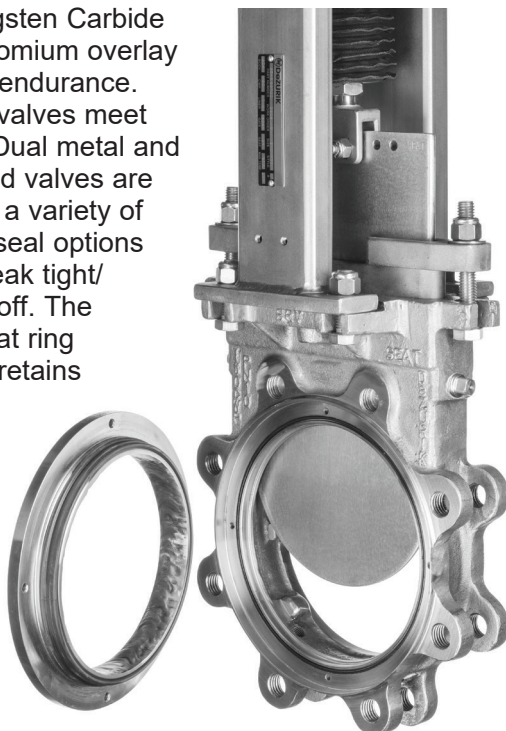
DeZURIK Exclusive Premium Packing System

The KGC-MD High Performance Packing System includes a number of features that reduce external leakage, minimize friction, reduce actuator thrust, and allow field replacement of packing. The DeZURIK exclusive rounded gate edge, rounded cast packing chamber and packing, form a tight seal. The system includes various braided packing options sandwiched between a top and bottom wire scraper ring to wipe the gate and prevent process media from entering the packing chamber.



Replaceable, Wear Resistant Metal or Resilient Seat Options

Both metal and resilient seated valves are available in the 100% area round port design. Metal seats are available in either Carbon Steel or 316 Stainless Steel. They can also be ordered with a Chrome Carbide, Tungsten Carbide or Cobalt Chromium overlay for maximum endurance. Metal seated valves meet MSS SP-81. Dual metal and resilient seated valves are available with a variety of resilient seat seal options and provide leak tight/drip tight shutoff. The removable seat ring mechanically retains the resilient seat to prevent it from becoming dislodged.



DeZURIK Exclusive Rounded Gate Edges

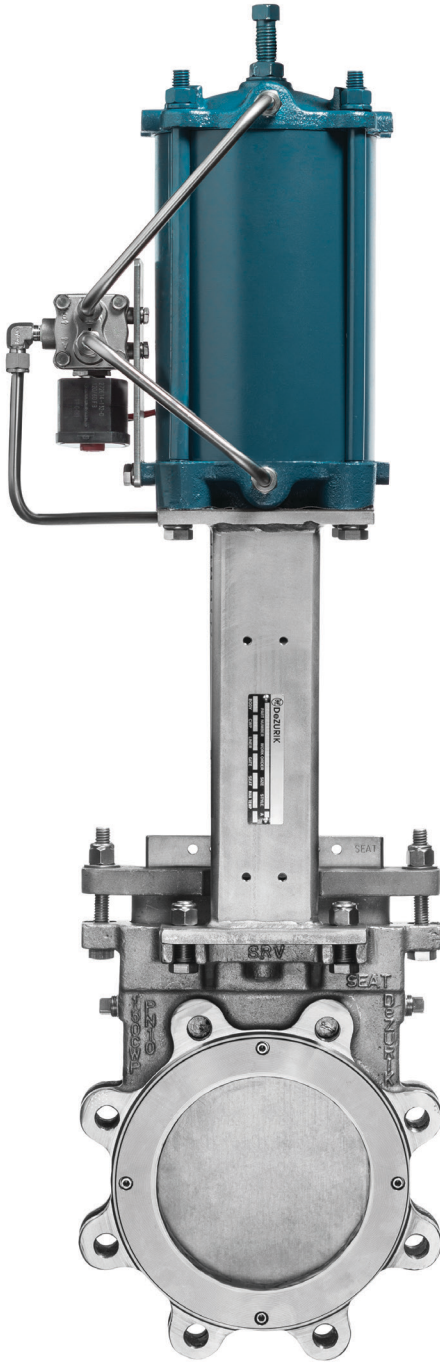
The standard 410 Stainless Steel gate has a rounded gate edge that is precision machined with a ground finish on both sides and edges. The rounded gate edge moves smoothly through the packing with minimal packing disturbance, thus requiring less adjustment and maintenance of the packing system.

Stem/Gate Clip

A strong, investment cast gate clip complements KGC-MD's robust construction. Gate clip and gate are drilled to match the shoulder screw diameter to provide a heavy-duty connection needed for high cycle applications.

Protective Stem Cover Bellows

KGC-MD valves are available with an optional Stem Actuator Cover Bellows to improve actuator cycle life in harsh environments where actuator stem protection from dirt and debris is required.



High Strength Actuator Legs

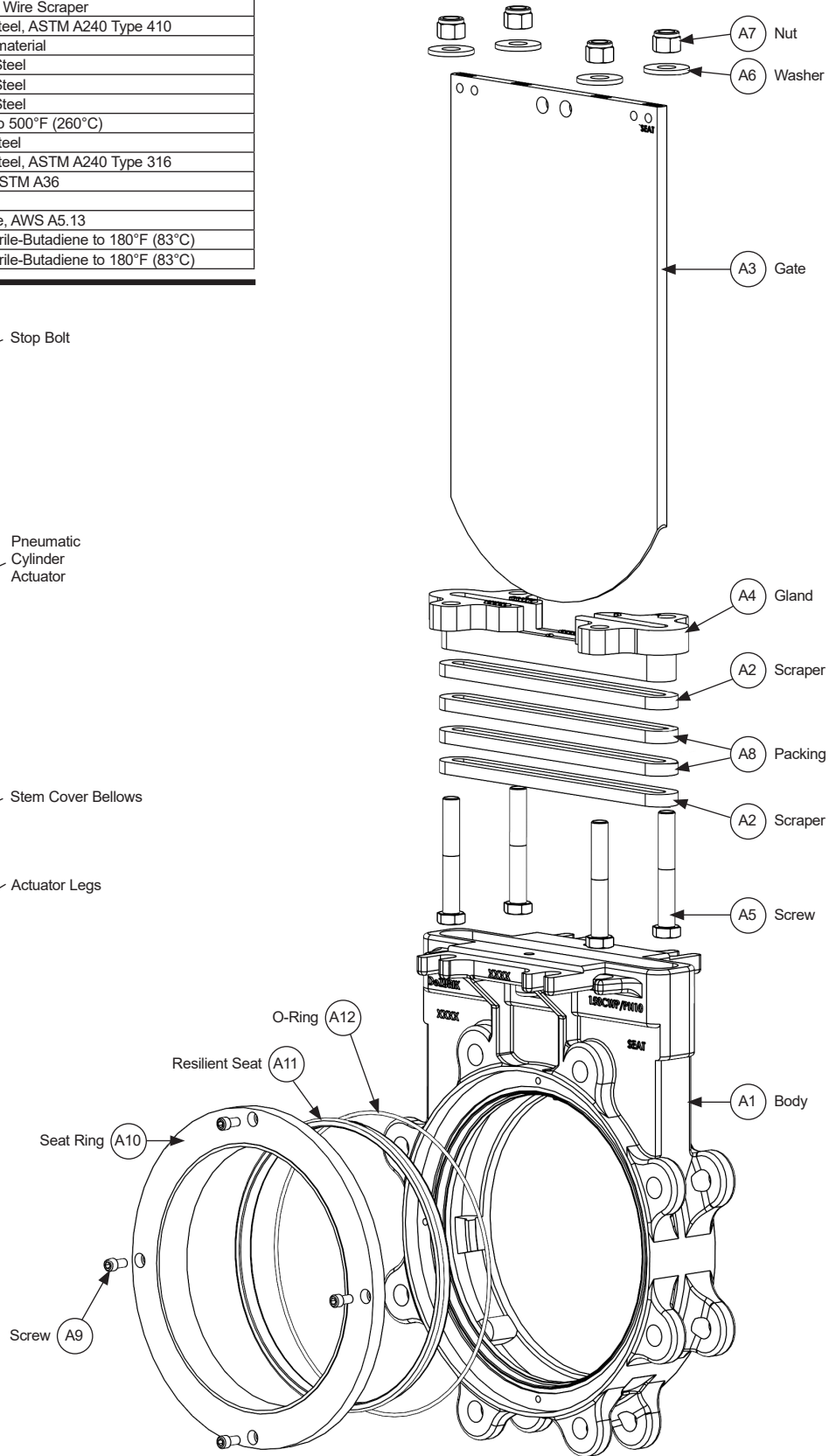
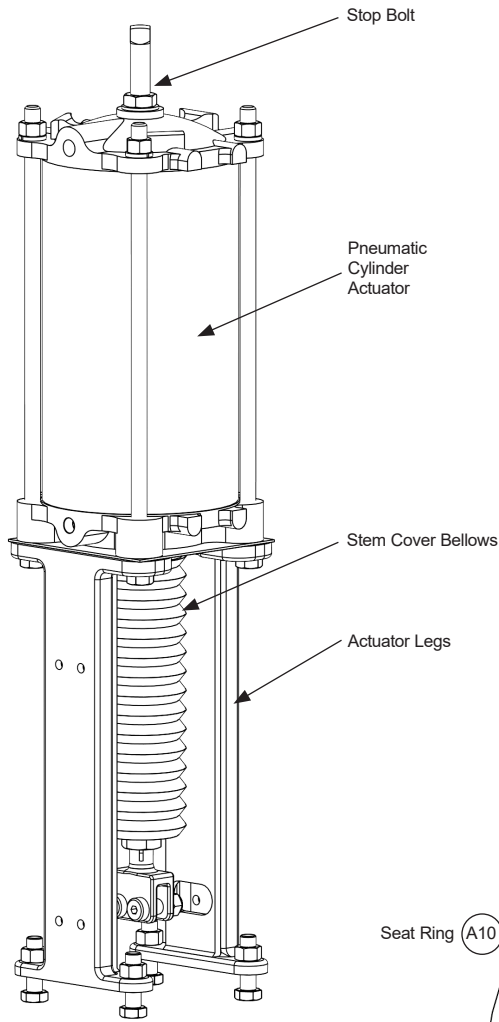
Optional High Strength Actuator Legs provide additional rigidity to withstand horizontal valve mounting, high cycle rates, and vibration common on cyclone applications, without external actuator supports. Available on valve sizes 3-12" (80-300mm).

Actuators and Accessories

DeZURIK pneumatic cylinder actuators are mounted on a sturdy, reinforced superstructure. A variety of cylinder actuator accessories for customizing the valve/actuator package are available to meet your specific requirements.

Materials of Construction

| Item | Description | Material |
|------|---------------------------------|---|
| A1 | Body | 304 Stainless Steel, ASTM A351 Type CF-8 316 Stainless Steel, ASTM A351 Type CF-8M |
| A2 | Scraper | Braided Copper Wire Scraper |
| A3 | Gate | 410 Stainless Steel, ASTM A240 Type 410 |
| A4 | Gland | Same as body material |
| A5 | Screw | 18-8 Stainless Steel |
| A6 | Washer | 18-8 Stainless Steel |
| A7 | Nut | 18-8 Stainless Steel |
| A8 | Packing | Braided PTFE to 500°F (260°C) |
| A9 | Screw | 316 Stainless Steel |
| A10 | Seat Ring (Base Material) | 316 Stainless Steel, ASTM A240 Type 316 Carbon Steel, ASTM A36 |
| | Seat Ring (Coating Material) | No Coating Chrome Carbide, AWS A5.13 |
| A11 | Resilient Seat | NBR = Acrylonitrile-Butadiene to 180°F (83°C) |
| A12 | O-Ring | NBR = Acrylonitrile-Butadiene to 180°F (83°C) |



Valve Selection

Shut-Off Capabilities

| | |
|-----------------|------------------------------------|
| Resilient Seats | Leak tight/drip tight |
| Metal Seats | Meet MSS SP-81 and TAPPI TIS 405-8 |

Pressure Ratings (100°F (38°C))

| | |
|------------------|---------------------------|
| 3-24" (80-600mm) | 150 psi C.W.P. (1030 kPa) |
|------------------|---------------------------|

Note: Valve can withstand Full Reverse Pressure without damage.

Flow Parameters

Round Port

| Valve Size | Cv* Kv* 100% Open | K** (resistance) | Port Area (in ² /cm ²) |
|--------------|-------------------------|---------------------|--|
| 3" 80mm | 675 584 | 0.16 | 7.1 46 |
| 4" 100mm | 1200 1040 | 0.16 | 12.6 81 |
| 5" 125mm | 1900 1640 | 0.16 | 19.6 126 |
| 6" 150mm | 2700 2340 | 0.16 | 28.3 183 |
| 8" 200mm | 4800 4200 | 0.16 | 50.3 325 |
| 10" 250mm | 7500 6500 | 0.16 | 78.5 506 |
| 12" 300mm | 10800 9300 | 0.16 | 113 729 |
| 14" 350mm | 13200 11400 | 0.16 | 138 890 |
| 16" 400mm | 17400 15100 | 0.16 | 183 1180 |
| 18" 450mm | 22300 19300 | 0.16 | 234 1510 |
| 20" 500mm | 27800 24000 | 0.16 | 291 1880 |
| 24" 600mm | 40500 35000 | 0.16 | 425 2740 |

*Cv = Flow in GPM of water at 1 psi pressure drop.

Kv = Flow in m³/hr. of water at 100 kPa pressure drop.

** K = The resistance coefficient of the valve. The constant (K) can be used to determine the equivalent length of pipe.

$L = \frac{K \times D}{f}$ Where
 L = Equivalent length of pipe in feet
 K = Resistance coefficient
 D = Pipe diameter in feet
 f = Friction factor, related to type of pipe

Applicable Standards

| DeZURIK KGC-MD Knife Gate Valves are designed and/or tested to meet the following standards: | |
|--|---|
| MSS SP-81 | Metal Seated Valves, Stainless Steel, Bonnetless, Flanged Knife Gate Valves |
| MSS SP-151 | Pressure testing of knife gate valves |
| ASME B16.5 | Flanges and Flanged Fittings, ANSI 150 Conforms to related drilling dimensions |
| International Standards | Conforms to flanged bolt guides — DIN 10 and DIN 16; ISO 7005-1/PN10 and 7005-2/PN16; BS 4504/PN10 and BS 4504/PN16; and AS 2129 Tables D and E; SANS 1123-1000 and SANS 1123-1600 |
| TAPPI TIS 405-8 | Recommendations for Stainless Steel, Bonnetless, Flanged, Wafer Knife Gate Valves. Revoked by TAPPI, Same as MSS SP-81 |

Valve and Actuator Weights

| Valve Size | Basic Valve lbs. Kg. | With Cylinder | |
|--------------|----------------------|---------------|-------------|
| | | Order Code | lbs. Kg. |
| 3" 80mm | 16 7 | CY-PC4 | 37 17 |
| | | | |
| 4" 100mm | 24 11 | CY-PC4 | 45 20 |
| | | CY-PC6 | 63 29 |
| | | | |
| 5" 125mm | 32 15 | CY-PC4 | 58 26 |
| | | CY-PC6 | 76 35 |
| | | CY-PC8 | 88 40 |
| 6" 150mm | 38 17 | CY-PC4 | 63 29 |
| | | CY-PC6 | 81 37 |
| | | CY-PC8 | 93 42 |
| 8" 200mm | 65 30 | CY-PC6 | 112 51 |
| | | CY-PC8 | 124 56 |
| 10" 250mm | 103 47 | CY-PC8 | 174 79 |
| | | CY-PC10 | 220 100 |
| | | CY-PC12 | 257 117 |
| 12" 300mm | 148 67 | CY-PC8 | 225 102 |
| | | CY-PC10 | 270 122 |
| | | CY-PC12 | 309 140 |
| 14" 350mm | 199 90 | CY-PC10 | 332 151 |
| | | CY-PC12 | 372 169 |
| 16" 400mm | 272 123 | CY-PC10 | 409 186 |
| | | CY-PC12 | 449 204 |
| | | CY-PC14 | 495 225 |
| 18" 450mm | 361 164 | CY-PC12 | 551 250 |
| | | CY-PC14 | 602 273 |
| | | CY-PC16 | 813 369 |
| 20" 500mm | 518 235 | CY-PC12 | 712 323 |
| | | CY-PC14 | 760 345 |
| | | CY-PC16 | 982 445 |
| 24" 600mm | 725 329 | CY-PC12 | 947 430 |
| | | CY-PC14 | 1001 454 |
| | | CY-PC16 | 1219 553 |
| | | CY-PC18 | 1262 572 |

Note: Weights are approximate and do not include crating.

Ordering

To order, simply complete the valve order code from information shown.
An ordering example is shown for your reference.

| |
|--|
| Valve Style Give valve style code as follows: KGC = Cast Knife Gate Valve |
|--|

| |
|---|
| Valve Size Give valve size code as follows: |
| 3 = 3" (80mm) 12 = 12" (300mm) |
| 4 = 4" (100mm) 14 = 14" (350mm) |
| 5 = 5" (125mm) 16 = 16" (400mm) |
| 6 = 6" (150mm) 18 = 18" (450mm) |
| 8 = 8" (200mm) 20 = 20" (500mm) |
| 10 = 10" (250mm) 24 = 24" (600mm) |

| |
|--|
| Body Style Give body style code as follows: MD = Maximum Duty |
|--|

| |
|--|
| End Connection Give end connection code as follows: F1 = ANSI 150 UNC Tapping for Threads |
| On Application Other end connections available on application. |

| |
|---|
| Body Material Give body material code as follows: S1 = 304 Stainless Steel S2 = 316 Stainless Steel |
| On Application Other body materials available on application |

| |
|---|
| Packing Material Give packing material code as follows: CW2 = PTFE Braided Packing with Top and Bottom Copper Wire Scraper to 500° (260°C) pH Range 4-10 |
| On Application Other packing materials available on application. |

| |
|---|
| Gate Material Give gate material code as follows: S8 = 410 Stainless Steel |
| On Application Other gate materials available on application |

| |
|--|
| Seat Material Give seat material code as follows: All Metal S2 = 316 Stainless Steel CSCC3 = Carbon Steel Seat with Chrome Carbide 0.1" (3mm) Overlay S2CC3 = 316 Stainless Steel Seat with Chrome Carbide 0.1" (3mm) Overlay |
|--|

| |
|---|
| Combination Metal with Resilient Seat Seal S2NBR = 316 Stainless Steel Seat with Acrylonitrile-Butadiene Seat Seal to 180°F (83°C) CSCC3NBR = Carbon Steel Seat with Chrome Carbide 0.1" (3mm) Overlay and Acrylonitrile-Butadiene Seat Seal to 180°F (83°C) S2CC3NBR = 316 Stainless Steel Seat with Chrome Carbide 0.1" (3mm) Overlay and Acrylonitrile-Butadiene Seat Seal to 180°F (83°C) |
|---|

| |
|--|
| On Application Other resilient seat and overlay materials available on application |
|--|

Note:
The limiting factor in valve selection is the lowest temperature of the packing or seat.

| |
|---|
| Standard Options Give option code as follows: PSC = Purge Ports in Seat and Chest Area |
|---|

Ordering Example:
KGC,8,MD,F1,S2,CW2,S8-S2NBR,PSC*Actuator

Cylinder Actuators

DeZURIK cylinder actuators are available with double-acting pneumatic cylinders for on/off or positioning services. Supply pressure is 60 or 80 psi (410 or 550 kPa). To order, add the proper code from the table to the valve order code.

Actuator Sizing

60 psi (410 kPa) Air Supply

| Valve Size | Order Code | Order Code | Maximum Pressure Differential psi/kPa | |
|-----------------------|------------------------|-------------------|---------------------------------------|-----------------|
| | | | On/Off | |
| | Carbon Steel (CS) Yoke | 304 SST (S1) Yoke | Dry Solids, Slurries, Paper Stock | Liquids & Gases |
| 3" 80mm | CY-PC4-CS | CY-PC4-S1 | 150 1030 | 150 1030 |
| | CY-PC4-CS | CY-PC4-S1 | 100 690 | 150 1030 |
| 4" 100mm | CY-PC6-CS | CY-PC6-S1 | 150 1030 | N/R |
| | CY-PC4-CS | CY-PC4-S1 | N/A | 50 340 |
| 5 & 6" 125 & 150mm | CY-PC6-CS | CY-PC6-S1 | 125 860 | 150 1030 |
| | CY-PC8-CS | CY-PC8-S1 | 150 1030 | N/R |
| 8" 200mm | CY-PC6-CS | CY-PC6-S1 | 75 515 | 125 860 |
| | CY-PC8-CS | CY-PC8-S1 | 150 1030 | 150 1030 |
| 10" 250mm | CY-PC8-CS | CY-PC8-S1 | 100 690 | 150 1030 |
| | CY-PC10-CS | CY-PC10-S1 | 150 1030 | N/R |
| | CY-PC12-CS | CY-PC12-S1 | N/R | N/R |
| 12" 300mm | CY-PC8-CS | CY-PC8-S1 | 75 515 | 125 860 |
| | CY-PC10-CS | CY-PC10-S1 | 125 860 | 150 1030 |
| | CY-PC12-CS | CY-PC12-S1 | 150 1030 | N/R |
| 14" 350mm | CY-PC8-CS | CY-PC8-S1 | 50 340 | 75 515 |
| | CY-PC10-CS | CY-PC10-S1 | 100 690 | 150 1030 |
| | CY-PC12-CS | CY-PC12-S1 | 150 1030 | N/R |
| 16" 400mm | CY-PC10-CS | CY-PC10-S1 | 75 515 | 125 860 |
| | CY-PC12-CS | CY-PC12-S1 | 125 860 | 150 1030 |
| | CY-PC14-CS | CY-PC14-S1 | 150 1030 | N/R |
| 18" 450mm | CY-PC12-CS | CY-PC12-S1 | 100 690 | 150 1030 |
| | CY-PC14-CS | CY-PC14-S1 | 150 1030 | N/R |
| | CY-PC16-CS | CY-PC16-S1 | N/R | N/R |
| 20" 500mm | CY-PC12-CS | CY-PC12-S1 | 50 340 | 125 860 |
| | CY-PC14-CS | CY-PC14-S1 | 125 860 | 150 1030 |
| | CY-PC16-CS | CY-PC16-S1 | 150 1030 | N/R |
| 24" 600mm | CY-PC12-CS | CY-PC12-S1 | 25 170 | 75 515 |
| | CY-PC14-CS | CY-PC14-S1 | 75 515 | 150 1030 |
| | CY-PC16-CS | CY-PC16-S1 | 150 1030 | N/R |
| | CY-PC18-CS | CY-PC18-S1 | N/R | N/R |

N/R = Not required. Use next smaller actuator.
N/A = Not available. Use larger actuator or contact DeZURIK.

Actuator Sizing

80 psi (550 kPa) Air Supply

| Valve Size | Order Code | Order Code | Maximum Pressure Differential psi/kPa | |
|-----------------------|------------------------|-------------------|---------------------------------------|-----------------|
| | | | On/Off | |
| | Carbon Steel (CS) Yoke | 304 SST (S1) Yoke | Dry Solids, Slurries, Paper Stock | Liquids & Gases |
| 3" 80mm | CY-PC4-CS | CY-PC4-S1 | 150 1030 | 150 1030 |
| | CY-PC4-CS | CY-PC4-S1 | 150 1030 | 150 1030 |
| 4" 100mm | CY-PC6-CS | CY-PC6-S1 | N/R | N/R |
| | CY-PC4-CS | CY-PC4-S1 | 50 340 | 75 515 |
| 5 & 6" 125 & 150mm | CY-PC6-CS | CY-PC6-S1 | 150 1030 | 150 1030 |
| | CY-PC8-CS | CY-PC8-S1 | N/R | N/R |
| 8" 200mm | CY-PC6-CS | CY-PC6-S1 | 100 690 | 150 1030 |
| | CY-PC8-CS | CY-PC8-S1 | 150 1030 | N/R |
| 10" 250mm | CY-PC8-CS | CY-PC8-S1 | 150 1030 | 150 1030 |
| | CY-PC10-CS | CY-PC10-S1 | N/R | N/R |
| 12" 300mm | CY-PC8-CS | CY-PC8-S1 | 100 690 | 150 1030 |
| | CY-PC10-CS | CY-PC10-S1 | 150 1030 | N/R |
| 14" 350mm | CY-PC10-CS | CY-PC10-S1 | 125 860 | 150 1030 |
| | CY-PC12-CS | CY-PC12-S1 | 150 1030 | N/R |
| 16" 400mm | CY-PC10-CS | CY-PC10-S1 | 100 690 | 150 1030 |
| | CY-PC12-CS | CY-PC12-S1 | 150 1030 | N/R |
| | CY-PC14-CS | CY-PC14-S1 | N/R | N/R |
| 18" 450mm | CY-PC12-CS | CY-PC12-S1 | 150 1030 | 150 1030 |
| | CY-PC14-CS | CY-PC14-S1 | N/R | N/R |
| 20" 500mm | CY-PC12-CS | CY-PC12-S1 | 125 860 | 150 1030 |
| | CY-PC14-CS | CY-PC14-S1 | 150 1030 | N/R |
| | CY-PC16-CS | CY-PC16-S1 | N/R | N/R |
| 24" 600mm | CY-PC12-CS | CY-PC12-S1 | 75 515 | 150 1030 |
| | CY-PC14-CS | CY-PC14-S1 | 150 1030 | N/R |
| | CY-PC16-CS | CY-PC16-S1 | N/R | N/R |

N/R = Not required. Use next smaller actuator.
N/A = Not available. Use larger actuator or contact DeZURIK.

Cylinder Actuator Accessories

Positioners

DeZURIK cylinder actuators are available with pneumatic, electro-pneumatic or digital positioners for throttling control. Positioners are available in various NEMA ratings and mounted to the actuator legs.

Air Filter Regulator

The DeZURIK Air Filter Regulator is designed to provide clean, accurate air pressure to actuators and positioners.

Four-Way Solenoid Valves

Solenoid valves may be ordered mounted and piped as part of a complete valve/actuator assembly or as a separate item.

Speed Control Valves

Speed Control Valves are available for controlling valve opening or closing speed with pneumatic actuators. The speed of operation is adjustable.

Position Indicating Switches

Mechanical or Proximity Position Indicating Switches are available for use on double-acting cylinder actuators. One switch can be set to indicate open or closed position. Two switches will automatically be set to indicate full open and full closed positions.

High-Strength Actuator Legs

For unsupported horizontal mounting of 3-12" (80-300mm) valve sizes, High-Strength Actuator Legs are available as part of a complete valve and actuator assembly. To order, add the SAL code after the actuator code.

Ordering Example (complete valve):

KGC,6,MD,F1,S1,CW2,S8-S2*CY-PC6-S1,SAL

Stem Cover Bellows

To protect valve stem from environmental debris, the Stem Cover Bellows may be ordered as part of a complete valve and actuator assembly. To order, add the SCB code to the valve and actuator code.

Ordering Example (complete valve):

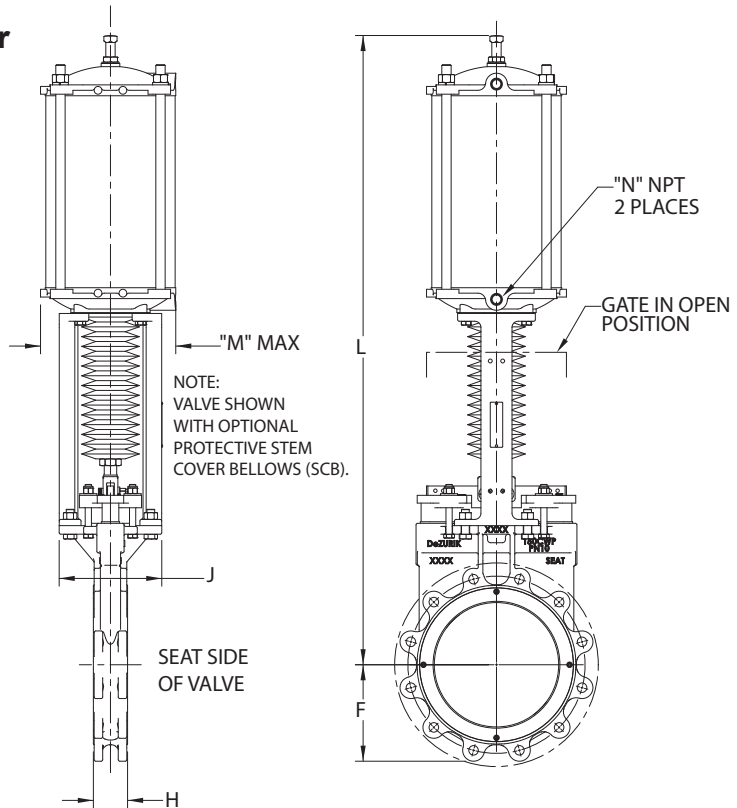
KGC,6,MD,F1,S1,CW2,S8-S2*CY-PC6-S1,SCB

Dimensions

Basic Valve with Cylinder Actuator

| Valve Size | Dimensions | | |
|--------------|--------------|-------------|-------------|
| | F | H | J |
| 3" 80mm | 3.75 95 | 2.00 51 | 4.75 121 |
| 4" 100mm | 4.50 114 | 2.00 51 | 5.00 127 |
| 5" 125mm | 5.00 127 | 2.25 57 | 5.75 146 |
| 6" 150mm | 5.50 140 | 2.25 57 | 5.75 146 |
| 8" 200mm | 6.75 171 | 2.75 70 | 6.38 162 |
| 10" 250mm | 8.00 203 | 2.75 70 | 8.25 210 |
| 12" 300mm | 9.50 241 | 3.00 76 | 8.25 210 |
| 14" 350mm | 10.50 267 | 3.00 76 | 8.25 210 |
| 16" 400mm | 11.75 298 | 3.50 89 | 8.89 221 |
| 18" 450mm | 12.50 318 | 3.50 89 | 9.31 236 |
| 20" 500mm | 13.75 349 | 4.50 114 | 9.42 239 |
| 24" 600mm | 16.00 406 | 4.50 114 | 9.42 239 |

Inches
Millimeters



3-24" (80-600mm) Valves

| Actuator Order Code | Dimensions | | | | | | | | | | | | M | N |
|---------------------|--------------|--------------|--------------|--------------|---------------|---------------|---------------|---------------|---------------|---------------|---------------|---------------|--------------|-----|
| | 3" 80mm | 4" 100mm | 5" 125mm | 6" 150mm | 8" 200mm | 10" 250mm | 12" 300mm | 14" 350mm | 16" 400mm | 18" 450mm | 20" 500mm | 24" 600mm | | |
| CY-PC4 | 23.98 609 | 26.26 667 | 30.64 778 | 32.18 817 | — | — | — | — | — | — | — | — | 5.38 137 | 1/4 |
| CY-PC6 | — | 27.61 701 | 32.00 813 | 33.56 852 | 39.11 993 | 47.13 1197 | — | — | — | — | — | — | 7.88 200 | 1/4 |
| CY-PC8 | — | — | 32.38 822 | 33.94 862 | 39.49 1003 | 49.57 1259 | 53.19 1351 | 59.06 1500 | 62.74 1594 | — | — | — | 10.50 267 | 1/2 |
| CY-PC10 | — | — | — | — | — | 50.97 1295 | 54.59 1387 | 60.35 1533 | 64.03 1626 | 73.59 1869 | 77.16 1960 | — | 13.00 330 | 1/2 |
| CY-PC12 | — | — | — | — | — | 50.94 1294 | 54.56 1386 | 60.70 1542 | 64.38 1635 | 73.94 1878 | 77.50 1968 | 89.48 2273 | 15.00 381 | 1/2 |
| CY-PC14 | — | — | — | — | — | — | — | — | 63.68 1617 | 73.24 1860 | 76.81 1951 | 88.78 2255 | 17.00 432 | 1/2 |
| CY-PC16 | — | — | — | — | — | — | — | — | — | 70.25 1784 | 75.94 1929 | 87.91 2233 | 17.00 432 | 1/2 |
| CY-PC18 | — | — | — | — | — | — | — | — | — | — | — | 88.16 2239 | 19.00 483 | 3/4 |

Inches
Millimeters

Sales and Service

For information about our worldwide locations, approvals, certifications and local representative:

Web Site: DeZURIK.com E-Mail: info@DeZURIK.com



250 Riverside Ave. N. Sartell, Minnesota 56377 • Phone: 320-259-2000 • Fax: 320-259-2227

DeZURIK, Inc. reserves the right to incorporate our latest design and material changes without notice or obligation. Design features, materials of construction and dimensional data, as described in this bulletin, are provided for your information only and should not be relied upon unless confirmed in writing by DeZURIK, Inc. Certified drawings are available upon request.