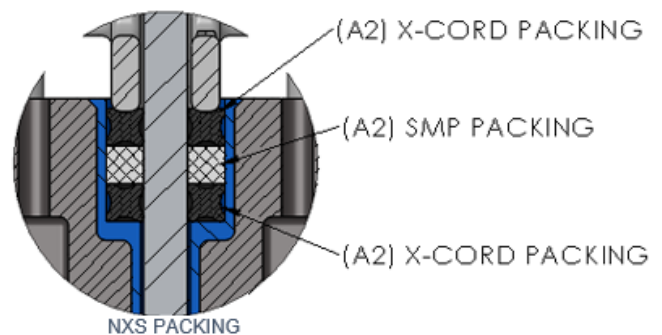


DeZURIK NXS Packing System for KUL Urethane Lined Knife Gate Valves

DeZURIK's KUL Urethane Lined Knife Gate Valves are designed for applications of abrasive slurry and dry abrasive materials. DeZURIK's special NXS Packing System has a uniquely designed elastomer seal combined with a self-lubricating PTFE braided packing ring. The two extruded "X" cord elastomers provide multiple sealing points as well as added elasticity to self-adjust. The square braid PTFE packing ring between the two elastomer rings provides lubricity and maintains the "X" cord elastomer position.

- Reduces packing gland adjustment frequency
- Well-suited for remote/limited access valve locations
- Lowers maintenance resource requirements and improves safety
- Ideal solution in corrosive and erosive slurry, abrasive wear applications, high cycle applications or dry bulk applications



One-Piece, Bonded Urethane Liner

The urethane liner is bonded in place to form a continuous liner throughout the entire body, chest, packing chamber and flange face area. The bonding process enhances the mechanical and abrasion resistance properties of the urethane, which creates a robust seat seal in harsh slurry services when combined with NXS type packing.



NXS packing is available in the full 2-48" (50-1200mm) size range of the DeZURIK Urethane Lined Knife Gate Valve (KUL)



Three rows of packing and a smooth uniform urethane-lined chamber assure a tight seal.