

DeZURIK KGN-MSU METAL SEATED CAST STAINLESS STEEL KNIFE GATE VALVES

Applications

DeZURIK KGN-MSU metal seated unidirectional Cast Stainless Steel Knife Gate Valves are designed for applications in corrosive, abrasive liquid slurry or dry material applications including: Pulp and Paper, Mining, Waste Water, Chemical, Petrochemical, Power, Steel, and others.

Design and Construction

Sizes - KGN-MSU Knife Gate Valves are available in sizes 2-36" (50-900 mm).

Working Pressure - Valve sizes 2-24" (50-600mm) are rated for 150 psi (1000 kPa), valve sizes 30" (750mm) and larger are rated for 100 psi (690 kPa).

Body & Gland - The cast one piece lugged body and the packing gland are available in stainless steel.

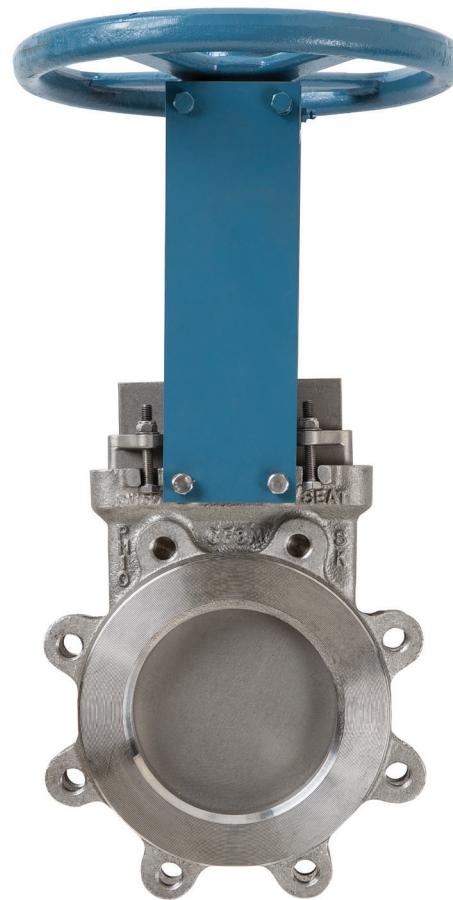
Gate - The stainless steel knife-like gate is precision ground on all sides with beveled edges to maximize packing life and seat shutoff.

Seat - The integral metal seat provides shutoff that meets MSS SP-81 standards.

Gate Guides - Rugged gate guides provide support while gate moves up and down.

Gate Jams - The jams at the bottom of the body wedges the gate securely against the seat to assure positive shutoff.

Actuators - The actuator superstructures are heavy duty carbon steel or corrosion resistant stainless steel. All valves are furnished with a stainless steel stem. A variety of actuator options are available including: handwheels, chainwheels, bevel gears, and pneumatic cylinders.



Flow Capacity

Round port design per MSS SP-81 requirements allows high flow capacity and minimum pressure drop. A stepped transition port eliminates the cavity, where material can accumulate.

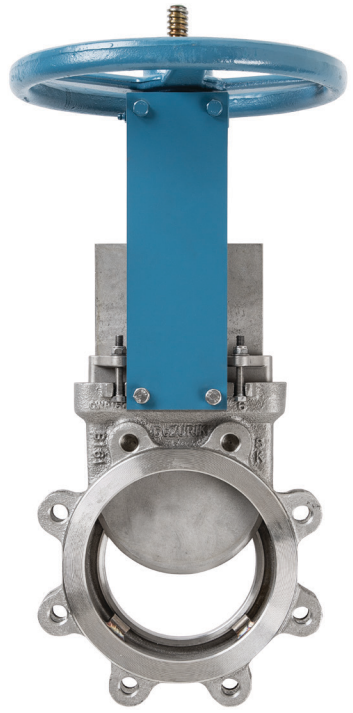
End Connections

Raised face body has drilled and tapped flanges in accordance with ASME B16.5, 2-24" (50-600mm) or ASME 16.47, 30" (750mm) and larger.

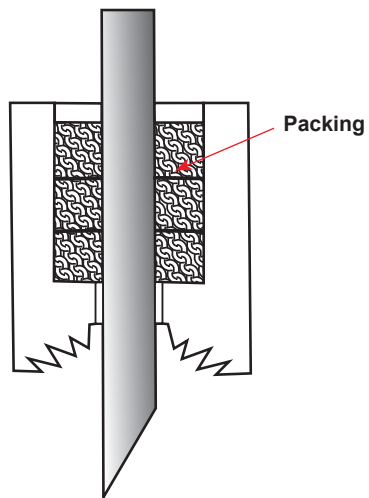
Application Factors That Affect Your Packing Selection For Optimal Sealing

Compatibility with process media:

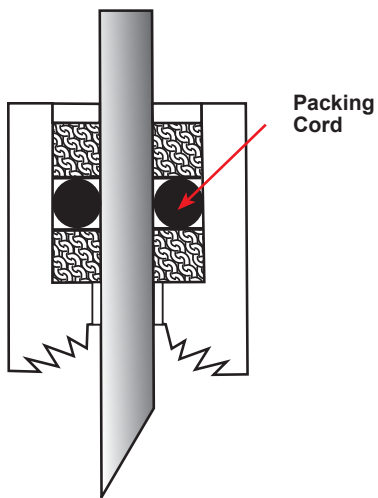
- Wet or dry application
- Life cycle stroke frequency
- Temperature
- pH Acid-Base level
- Scaling or crystallization on gate



Packing Material Options

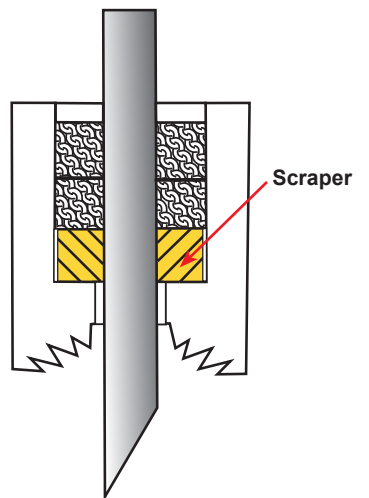


MSP
Square Braided PTFE
Impregnated Synthetic
Fiber



TDP
Dry Service Square
Braided PTFE Packing
with Solid PTFE Cord

M03055
PTFE Square
Braided Packing with
Fluoroelastomer Cord



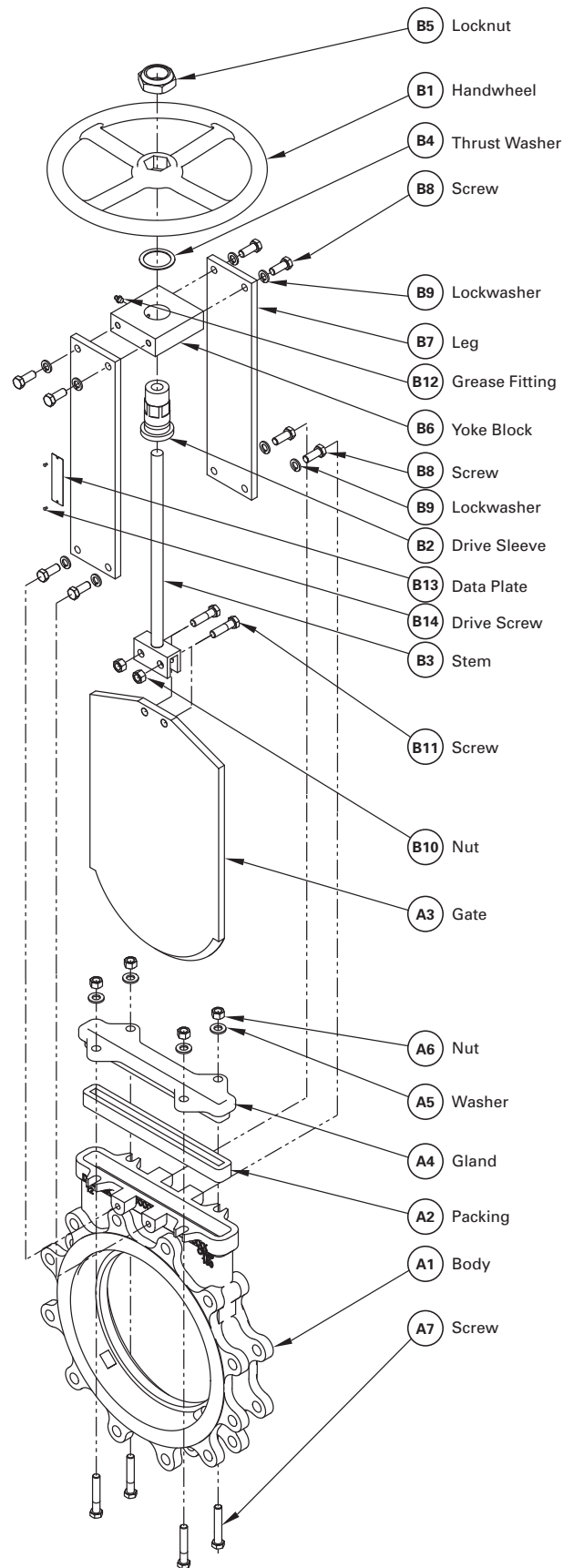
CWP
Square Braided PTFE
Packing with One Ring
Copper Wire Braided
Scraper

HBP
High Temperature Square
Braided Packing

KWP
Square Braided PTFE
Packing with One Ring
Kevlar® (para-aramid)
Fiber Scraper

Materials of Construction

Item	Description	Material
A1	Body	304 Stainless Steel ASTM A351 CF8
		316 Stainless Steel ASTM A351 CF8M
A2	Packing	MSP - Square Braided PTFE Impregnated Synthetic Fiber to 500°F (260°C) (pH Range 4-10)
		CWP - Square Braided PTFE Impregnated Synthetic Fiber with One Ring Copper Wire Braided Scraper to 500°F (260°C) (pH Range 4-10)
		TDP - Dry Service Square Braided PTFE Packing with Solid PTFE Cord to 500°F (260°C) (pH Range 0-14)
		HBP - High Temperature Braided Packing to 1000°F (540°C) (pH Range 4-10)
		KWP - Square Braided PTFE Packing with One Ring Kevlar® (para-aramid) Fiber Scraper to 500°F (260°C) (pH Range 4-10)
A3	Gate	304 Stainless Steel ASTM A240
		316 Stainless Steel ASTM A240
A4	Gland	304 Stainless Steel ASTM A351 CF8 316 Stainless Steel ASTM A351 CF8M
A5	Washer	304 Stainless Steel
A6	Gland Nut	304 Stainless Steel
A7	Gland Screw	304 Stainless Steel
B1	Handwheel	Painted Cast Iron
B2	Drive Sleeve	Brass
B3	Stem	410 Stainless Steel
B4	Thrust Washer	Brass
B5	Locknut	Zinc Plated Carbon Steel
B6	Yoke Block	Painted Carbon Steel or 304 Stainless Steel
B7	Leg	Painted Carbon Steel or 304 Stainless Steel
B8	Yoke Screw	304 Stainless Steel
B9	Lock Washer	304 Stainless Steel
B10	Gate Nut	304 Stainless Steel
B11	Gate Screw	304 Stainless Steel
B12	Grease Fitting	Brass
B13	Data Plate	316 Stainless Steel
B14	Drive Screw	Stainless Steel



Valve Selection

Shut-Off Capabilities

Metal Seats	Meet MSS SP-81 and TAPPI TIS 405-8
-------------	------------------------------------

Pressure Ratings

2-24" (50-600mm)	150 psi C.W.P. (1030 kPa)
Above 24" (600mm)	100 psi C.W.P. (690 kPa)

Applicable Standards

DeZURIK KGN Knife Gate Valves are designed and/or tested to meet the following standards:	
MSS SP-81	Metal Seated Valves, Stainless Steel Bonnetless Flanged Knife Gate Valves.
TAPPI TIS 405-8*	Recommendations for Stainless Steel Bonnetless Flanged Wafer Knife Gate Valves. * Revoked by TAPPI Same as MSS SP-81.
ASME B16.5 2-24" (50-600mm)	Flanges and Flanged Fittings ASME 150. Conforms to related drilling dimensions.
ASME 16.47 Above 24" (600mm)	Large diameter Steel Flanges, Series A. Conforms to related dimensions.

Flow Parameters

Valve Size	Cv* Kv 100% Open	Port Area (in ² /cm ²)
2" 50mm	232 201	3.04 19.6
3" 80mm	505 437	6.31 40.7
4" 100mm	890 770	10.76 69.4
6" 150mm	2050 1773	24.2 156.1
8" 200mm	3695 3196	41.66 268.8
10" 250mm	5935 5134	65.53 422.8
12" 300mm	8545 7391	92.73 598.3
14" 350mm	10505 9087	111.76 721
16" 400mm	14030 12136	147.93 954.4
18" 450mm	17900 15484	189.94 1225.4
20" 500mm	22730 19661	235.69 1520.6
24" 600mm	33280 28787	344.55 2222.9
30" 750mm	64900 56139	648.72 4185.3
36" 900mm	95400 82521	934.82 6031.1

*Cv = Flow in GPM of water at 1 psi pressure drop.
Kv = Flow in m³/hr. of water at 100kPa pressure drop.

Valve and Actuator Weights

Valve Size	Basic Valve	With Handwheel	With Bevel Gear & Handwheel	With Cylinder		
				Size	Ibs.	Kg.
2" 50mm	7 3	15 7	N/A	4" (100mm)	22	10
3" 80mm	11 5	22 10	N/A	4" (100mm)	26	12
4" 100mm	16 7	28 13	N/A	4" (100mm)	32	15
6" 150mm	28 13	44 20	N/A	6" (150mm)	47	22
				8" (200mm)	77	35
				8" (150mm)	88	40
8" 200mm	45 20	72 33	N/A	8" (200mm)	98	44
				8" (150mm)	134	61
				10" (250mm)	168	76
10" 250mm	69 31	102 46	141 64	12" (300mm)	198	90
				8" (200mm)	170	77
				10" (250mm)	204	92
12" 300mm	99 45	143 65	178 81	12" (300mm)	234	106
				10" (250mm)	238	108
				12" (300mm)	270	122
14" 350mm	127 58	183 83	216 98	10" (250mm)	238	108
				12" (300mm)	270	122

Note: Weights are approximate and do not include crating.

Pounds
Kilograms

Valve Size	Basic Valve	With Handwheel	With Bevel Gear & Handwheel	With Cylinder		
				Size	Ibs.	Kg.
16" 400mm	174 79	252 114	277 126	10" (250mm)	301	136
				12" (300mm)	332	150
				14" (350mm)	361	164
18" 450mm	227 103	328 149	336 152	12" (300mm)	397	180
				14" (350mm)	427	194
				16" (400mm)	695	315
20" 500mm	319 145	439 199	446 202	12" (300mm)	499	226
				14" (350mm)	529	240
				16" (400mm)	809	367
24" 600mm	473 215	607 275	611 277	12" (300mm)	670	304
				14" (350mm)	701	318
				16" (400mm)	997	452
30" 750mm	600 272	N/A	798 362	18" (450mm)	1090	494
				12" (300mm)	1023	464
				14" (350mm)	1055	479
36" 900mm	785 356	N/A	1013 459	16" (400mm)	1167	529
				18" (450mm)	1265	574
				20" (500mm)	1376	624
				14" (350mm)	1277	579
				16" (400mm)	1396	633
				18" (450mm)	1499	680
				20" (500mm)	1613	732

Ordering

To order simply complete the valve order code from information shown. An ordering example is shown for your reference.

Valve Style

Give valve style code as follows:

KGN = Cast Stainless Steel Knife Gate Valves

Valve Size

Give valve size code as follows:

2	=	2"	(50mm)	14	=	14"	(350mm)
3	=	3"	(80mm)	16	=	16"	(400mm)
4	=	4"	(100mm)	18	=	18"	(450mm)
6	=	6"	(150mm)	20	=	20"	(500mm)
8	=	8"	(200mm)	24	=	24"	(600mm)
10	=	10"	(250mm)	30	=	30"	(750mm)
12	=	12"	(300mm)	36	=	36"	(900mm)

Notes: Gate roller supports are required on 24" 30" and 36" valves when the valve is not mounted in an upright position.

Body Style

Give body style code as follows:

MSU = Metal Seated Unidirectional

End Connection

Give end connection code as follows:

F1 = Flanged, ASME 150 UNC Tapping for Threads

Ordering Example:

KGN,6,MSU,F1,S2,MSP,S2-M*Actuator

Body Material

Give body material code as follows:

S1 = 304 Stainless Steel (10" and larger only)
S2 = 316 Stainless Steel

Packing Material

Give packing material code as follows:

Standard Packing

MSP = Square Braided PTFE Impregnated Synthetic
Fiber to 500°F (260°C) (pH Range 4-10)

Special Packing

CWP = Square Braided PTFE Packing with
one ring Copper Wire Braided
Scraper to 500°F (260°C) (pH Range 4-10)
TDP = Dry Service Square Braided PTFE Packing with
solid PTFE Cord to 500°F (260°C) (pH Range 0-14)
HBP = High Temperature Braided Packing to
1000°F (540°C) (pH Range 4-10)
KWP = Square Braided PTFE Packing with One Ring Kevlar®
(para-aramid) Fiber Scraper to 500°F (260°C) (pH Range 4-10)
M03055 = PTFE Square Braided Packing with Fluoroelastomer Cord to
400°F (205°C) (pH Range 0-14)

Gate Material

Give gate material code as follows:

S1 = 304 Stainless Steel (10" and larger only)
S2 = 316 Stainless Steel

Seat Material

Give seat material code as follows:

M = Metal Seated to 1000°F (540°C)

Note:
The limiting factor in valve selection is the lowest temperature limit of the packing or seat.

Manual Actuators

Manual Actuators are available with Carbon Steel (CS) or Type 304 Stainless Steel (S1) Yoke.

Handwheel Actuators

Valve Size	Order Code		Maximum Pressure Differential (psi/kPa)
	Yoke Material		
	Carbon Steel	304 SST	
2" 50mm	MN-HD10-CS	MN-HD10-S1	150 1030
3" 80mm	MN-HD10-CS	MN-HD10-S1	150 1030
4" 100mm	MN-HD10-CS	MN-HD10-S1	150 1030
6" 150mm	MN-HD12-CS	MN-HD12-S1	150 1030
8" 200mm	MN-HD12-CS	MN-HD12-S1	150* 1030
10" 250mm	MN-HD14-CS	MN-HD14-S1	150* 1030
12" 300mm	MN-HD14-CS	MN-HD14-S1	125* 860
14" 350mm	MN-HD18-CS	MN-HD18-S1	100* 690
16" 400mm	MN-HD18-CS	MN-HD18-S1	75* 515
18" 450mm	MN-HD24-CS	MN-HD24-S1	50* 340
20" 500mm	MN-HD24-CS	MN-HD24-S1	25* 170
24" 600mm	MN-HD24-CS	MN-HD24-S1	25* 170

* Bevel gear actuators recommended for dry solids paper stock slurries or when pressure exceeds limits shown.

Ordering Example:

KGN,14,MSU,F1,S2,MSP,S2-M*MN-HD18-S1

Bevel Gear Handwheel Actuators

Valve Size	Order Code		Maximum Pressure Differential (psi/kPa)
	Yoke Material		
	Carbon Steel	304 SST	
10" 250mm	MNB-HD12-CS	MNB-HD12-S1	150 1030
12" 300mm	MNB-HD12-CS	MNB-HD12-S1	150 1030
14" 350mm	MNB-HD12-CS	MNB-HD12-S1	150 1030
16" 400mm	MNB-HD12-CS	MNB-HD12-S1	150 1030
18" 450mm	MNB-HD12-CS	MNB-HD12-S1	150 1030
20" 500mm	MNB-HD16-CS	MNB-HD16-S1	150 1030
24" 600mm	MNB-HD16-CS	MNB-HD16-S1	150 1030
30" 750mm	MNB-HD30-CS	MNB-HD30-S1	100 690
36" 900mm	MNB-HD30-CS	MNB-HD30-S1	100 690

Notes:

Available with 180 degree mounting add -180 after the actuator order code and as 2nd line information on the order.

Bevel Gear actuators provide vertical mounting of the handwheel or chainwheel or can be used where space limitations dry solids paper stock slurries or pressure limits prohibit the use of a standard handwheel actuator.

Ordering Example:

KGN,14,MSU,F1,S2,MSP,S2-M*MNB-HD12-S1

Cylinder Actuators

Cylinder Actuators are available with Carbon Steel (CS) or Type 304 Stainless Steel (S1) Yoke.

60 PSI (410 kPa) Air Supply

Valve Size	Order Code		Maximum Pressure Differential (psi/kPa)	
			On - Off	
	Carbon Steel Yoke	304 SST Yoke	Dry Solids Slurries Paper Stock	Liquids & Gases
2" 50mm	CY-PC4-CS	CY-PC4-S1	150	150
			1030	1030
3" 80mm	CY-PC4-CS	CY-PC4-S1	150	150
			1030	1030
4" 100mm	CY-PC4-CS	CY-PC4-S1	100	150
			690	1030
	CY-PC6-CS	CY-PC6-S1	150	N/R
			1030	
6" 150mm	CY-PC4-CS	CY-PC4-S1	N/A	50
				340
			125	150
	CY-PC6-CS	CY-PC6-S1	860	1030
			150	N/R
	CY-PC8-CS	CY-PC8-S1	150	
			1030	
8" 200mm	CY-PC6-CS	CY-PC6-S1	75	125
			515	860
	CY-PC8-CS	CY-PC8-S1	150	150
			1030	1030
10" 250mm	CY-PC8-CS	CY-PC8-S1	100	150
			690	1030
	CY-PC10-CS	CY-PC10-S1	150	N/R
			1030	
12" 300mm	CY-PC8-CS	CY-PC8-S1	75	125
				860
			125	150
	CY-PC10-CS	CY-PC10-S1	860	1030
			150	N/R
	CY-PC12-CS	CY-PC12-S1	150	
			1030	
14" 350mm	CY-PC10-CS	CY-PC10-S1	100	150
			690	1030
	CY-PC12-CS	CY-PC12-S1	150	N/R
			1030	
16" 400mm	CY-PC10-CS	CY-PC10-S1	75	125
				860
			125	150
	CY-PC12-CS	CY-PC12-S1	860	1030
			150	N/R
	CY-PC14-CS	CY-PC14-S1	1030	
18" 450mm	CY-PC12-CS	CY-PC12-S1	100	150
			690	1030
	CY-PC14-CS	CY-PC14-S1	150	N/R
			1030	
20" 500mm	CY-PC12-CS	CY-PC12-S1	50	125
				860
			125	150
	CY-PC14-CS	CY-PC14-S1	860	1030
			150	N/R
	CY-PC16-CS	CY-PC16-S1	1030	
24" 600mm	CY-PC12-CS	CY-PC12-S1	25	75
				515
			75	150
	CY-PC14-CS	CY-PC14-S1	515	1030
			150	N/R
	CY-PC16-CS	CY-PC16-S1	1030	
30" 750mm	CY-PC14-CS	CY-PC14-S1	25	75
				515
			75	100
	CY-PC16-CS	CY-PC16-S1	515	690
			100	N/R
	CY-PC18-CS	CY-PC18-S1	690	
36" 900mm	CY-PC14-CS	CY-PC14-S1	N/A	50
				340
			25	75
			170	515
	CY-PC16-CS	CY-PC16-S1	75	100
			515	690
	CY-PC18-CS	CY-PC18-S1	100	N/R
			690	
	CY-PC20-CS	CY-PC20-S1	100	N/R
			690	

N/R = Not Required. Use next smaller actuator.
N/A = Not Available. Use next larger actuator.

80 PSI (550 kPa) Air Supply

Valve Size	Order Code		Maximum Pressure Differential (psi/kPa)	
			On - Off	
	Carbon Steel Yoke	304 SST Yoke	Dry Solids Slurries Paper Stock	Liquids & Gases
2" 50mm	CY-PC4-CS	CY-PC4-S1	150	150
			1030	1030
3" 80mm	CY-PC4-CS	CY-PC4-S1	150	150
			1030	1030
4" 100mm	CY-PC4-CS	CY-PC4-S1	150	150
			1030	1030
6" 150mm	CY-PC4-CS	CY-PC4-S1	50	75
			340	515
	CY-PC6-CS	CY-PC6-S1	150	150
			1030	1030
8" 200mm	CY-PC6-CS	CY-PC6-S1	100	150
			690	1030
	CY-PC8-CS	CY-PC8-S1	150	N/R
			1030	
10" 250mm	CY-PC8-CS	CY-PC8-S1	150	150
			1030	1030
12" 300mm	CY-PC8-CS	CY-PC8-S1	100	150
			690	1030
	CY-PC10-CS	CY-PC10-S1	150	N/R
			1030	
14" 350mm	CY-PC10-CS	CY-PC10-S1	125	150
			860	1030
	CY-PC12-CS	CY-PC12-S1	150	N/R
			1030	
16" 400mm	CY-PC10-CS	CY-PC10-S1	100	150
			690	1030
	CY-PC12-CS	CY-PC12-S1	150	N/R
			1030	
18" 450mm	CY-PC12-CS	CY-PC12-S1	150	150
			1030	1030
20" 500mm	CY-PC12-CS	CY-PC12-S1	125	150
			860	1030
	CY-PC14-CS	CY-PC14-S1	150	N/R
			1030	
24" 600mm	CY-PC12-CS	CY-PC12-S1	75	150
			515	1030
	CY-PC14-CS	CY-PC14-S1	150	N/R
			1030	
30" 750mm	CY-PC12-CS	CY-PC12-S1	25	75
				170
			75	100
	CY-PC14-CS	CY-PC14-S1	515	690
			100	N/R
	CY-PC16-CS	CY-PC16-S1	690	
36" 900mm	CY-PC14-CS	CY-PC14-S1	25	75
				170
			75	100
	CY-PC16-CS	CY-PC16-S1	515	690
			100	N/R
	CY-PC18-CS	CY-PC18-S1	690	

Ordering Example:

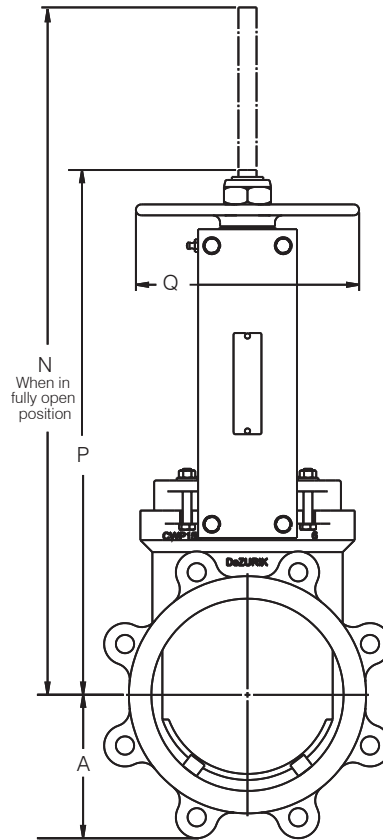
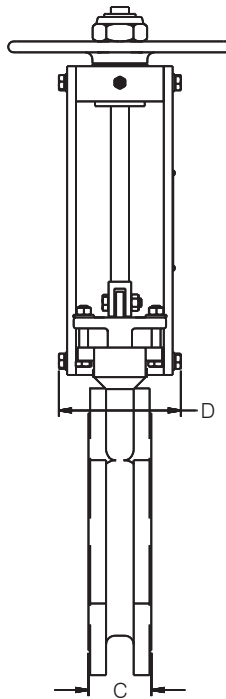
KGN,4,MSU,F1,S2,MSP,S2-M*CY-PC4-CS-180
Actuator mounted 180 degree from standard

Dimensions

Basic Valve with Handwheel Actuator

Valve Size	A	C	D	N	P	Q
2" 50mm	2.30 58	1.88 48	3.24 82	13.36 339	11.19 284	10.00 254
3" 80mm	2.87 73	2.00 51	3.39 86	16.86 428	13.83 351	10.00 254
4" 100mm	4.21 107	2.00 51	3.39 86	19.24 489	15.35 390	10.00 254
6" 150mm	5.14 131	2.25 57	4.37 111	25.43 646	18.80 478	12.00 305
8" 200mm	6.22 158	2.75 70	4.51 115	29.47 749	21.91 557	12.00 305
10" 250mm	7.67 195	2.75 70	5.17 131	34.77 883	25.37 644	14.00 356
12" 300mm	9.00 229	3.00 76	6.12 155	39.62 1006	28.29 719	14.00 356
14" 350mm	10.04 255	3.00 76	6.36 162	43.81 1113	31.53 801	18.00 457
16" 400mm	11.41 290	3.50 89	7.31 186	49.80 1265	35.57 904	18.00 457
18" 450mm	12.24 311	3.50 89	7.31 186	55.28 1404	39.26 997	24.00 610
20" 500mm	13.43 341	4.50 114	8.38 213	60.98 1549	43.14 1096	24.00 610
24" 600mm	15.75 400	4.50 114	8.36 212	70.39 1788	48.93 1243	24.00 610
30" 750mm	19.28 490	4.62 117	Refer to Bevel Gear Actuator Chart			
36" 900mm	22.89 581	4.62 117				

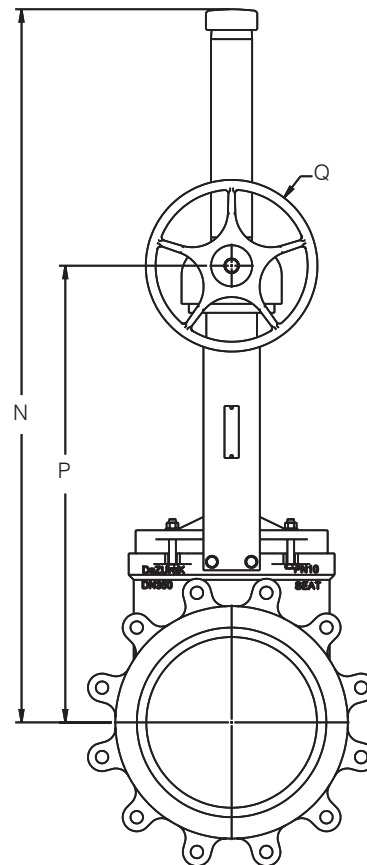
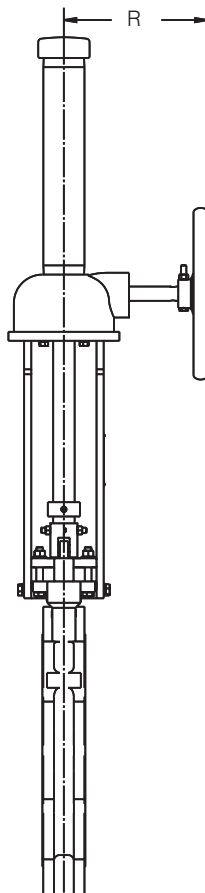
Inches
Millimeters



Bevel Gear Actuator

Valve Size	N	P	Q	R
10" 250mm	40.66 1033	26.24 667	12.00 305	10.12 257
12" 300mm	44.09 1120	29.67 754	12.00 305	10.12 257
14" 350mm	49.84 1266	31.91 811	12.00 305	10.12 257
16" 400mm	53.55 1360	35.63 905	12.00 305	10.12 257
18" 450mm	61.45 1561	39.52 1004	12.00 305	10.12 257
20" 500mm	65.05 1652	43.12 1095	16.00 406	10.50 267
24" 600mm	74.78 1899	48.85 1241	16.00 406	10.50 267
30" 750mm	105.93 2691	69.31 1761	30.00 762	12.49 317
36" 900mm	116.81 2967	80.20 2037	30.00 762	12.49 317

Inches
Millimeters



Dimensions

Cylinder Actuator

2-20" (50-500mm)

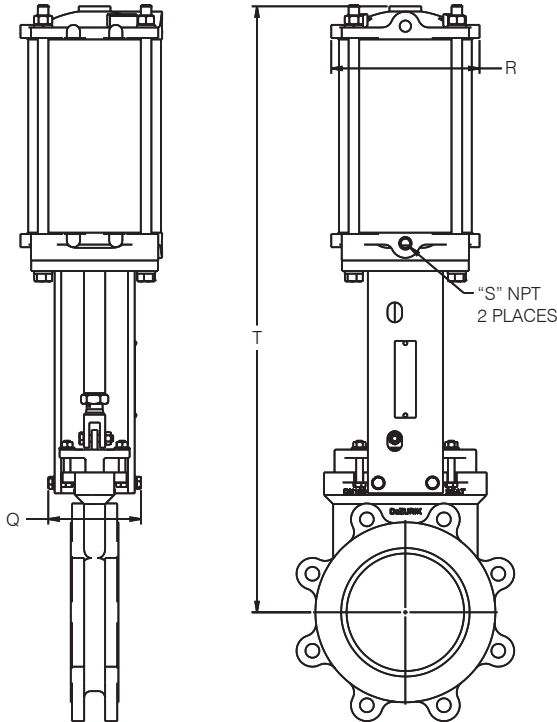
Valve Size	Actuator Code	Q	R	S	T
2" 50mm	CY-PC4	3.08	5.00	1/4"	18.95
		78	127		481
3" 80mm	CY-PC4	3.26	5.00	1/4"	22.18
		83	127		563
4" 100mm	CY-PC4	3.26	5.00	1/4"	23.71
	CY-PC6	83	127		602
6" 150mm	CY-PC4	3.26	7.00	1/4"	25.31
	CY-PC6	83	178		643
6" 150mm	CY-PC4	4.37	5.00	1/4"	28.91
	CY-PC6	111	128		734
	CY-PC8	4.37	7.00		28.93
6" 150mm	CY-PC8	111	178	735	29.37
	CY-PC8	111	229	746	29.37
	CY-PC8	111	229	746	746
8" 200mm	CY-PC6	4.50	7.00	1/2"	34.15
	CY-PC8	114	178		880
8" 200mm	CY-PC8	4.50	9.00	1/2"	34.63
	CY-PC10	114	229		880
10" 250mm	CY-PC8	5.39	9.00	1/2"	42.54
	CY-PC10	137	229		1081
10" 250mm	CY-PC10	5.39	11.25	1/2"	43.95
	CY-PC12	137	286		1116
12" 300mm	CY-PC8	6.18	9.00	1/2"	45.85
	CY-PC10	157	229		1165
	CY-PC10	6.18	11.25		47.25
12" 300mm	CY-PC12	157	286	1200	47.22
	CY-PC12	157	337	1199	47.22
	CY-PC12	157	337	1199	1199
14" 350mm	CY-PC10	6.41	11.25	1/2"	53.04
	CY-PC12	163	286		1347
14" 350mm	CY-PC12	6.41	13.25	1/2"	53.01
	CY-PC14	163	337		1347
16" 400mm	CY-PC10	7.27	11.25	1/2"	56.44
	CY-PC12	185	286		1434
	CY-PC12	7.27	13.25		56.41
16" 400mm	CY-PC14	185	337	1433	56.41
	CY-PC14	7.27	15.50	56.47	1434
	CY-PC14	185	394	1434	1434
18" 450mm	CY-PC12	7.31	13.25	1/2"	64.30
	CY-PC14	186	337		1633
18" 450mm	CY-PC14	7.31	15.50	1/2"	64.36
	CY-PC16	186	394		1635
20" 500mm	CY-PC12	8.10	13.25	1/2"	67.90
	CY-PC14	206	337		1725
	CY-PC14	8.10	15.50		67.96
20" 500mm	CY-PC16	206	394	1726	67.96
	CY-PC16	8.10	17.00	69.59	1768
CY-PC16	206	432	1726	1768	

Inches
Millimeters

24-36" (600-900mm)

Valve Size	Actuator Code	Q	R	S	T
24" 600mm	CY-PC12	8.36	13.25	1/2"	77.63
	CY-PC14	212	337		1972
	CY-PC14	8.36	15.50		77.69
24" 600mm	CY-PC16	212	394	1973	77.69
	CY-PC16	8.36	17.00	79.32	2015
	CY-PC16	212	432	2015	2015
30" 750mm	CY-PC12	9.46	13.25	1/2"	91.30
	CY-PC14	240	337		2319
	CY-PC14	9.46	15.50		92.05
	CY-PC16	240	394		2338
30" 750mm	CY-PC16	9.46	17.00	92.18	2341
	CY-PC18	240	432	2341	92.43
	CY-PC18	9.46	19.00	92.43	2348
	CY-PC18	240	483	2348	2348
36" 900mm	CY-PC14	9.46	15.50	1/2"	108.75
	CY-PC16	240	394		2762
	CY-PC16	9.46	17.00		108.88
	CY-PC18	240	432		2766
36" 900mm	CY-PC18	9.46	19.00	109.00	2769
	CY-PC20	240	483	2769	109.00
	CY-PC20	9.46	21.00	109.38	2778
	CY-PC20	240	533	2778	2778

Inches
Millimeters



Cylinder Actuator Accessories

Air Filter Regulator

The DeZURIK Air Filter Regulator is designed to provide clean accurate air pressure to all pneumatic actuators.

Position Indicating Switches

For all pneumatic actuators position indicating switches may be ordered as part of a complete valve/actuator assembly. Two switches will automatically be set to indicate full open and full closed positions.

Four-Way Solenoid Valve

For all pneumatic actuators solenoid valves may be ordered mounted and piped as part of the complete valve/actuator assembly or as a separate item.

Sales and Service

For information about our worldwide locations, approvals, certifications and local representative:

Web Site: DeZURIK.com **E-Mail:** info@DeZURIK.com



250 Riverside Ave. N. Sartell, Minnesota 56377 • Phone: 320-259-2000 • Fax: 320-259-2227

DeZURIK, Inc. reserves the right to incorporate our latest design and material changes without notice or obligation. Design features, materials of construction and dimensional data, as described in this bulletin, are provided for your information only and should not be relied upon unless confirmed in writing by DeZURIK, Inc. Certified drawings are available upon request.