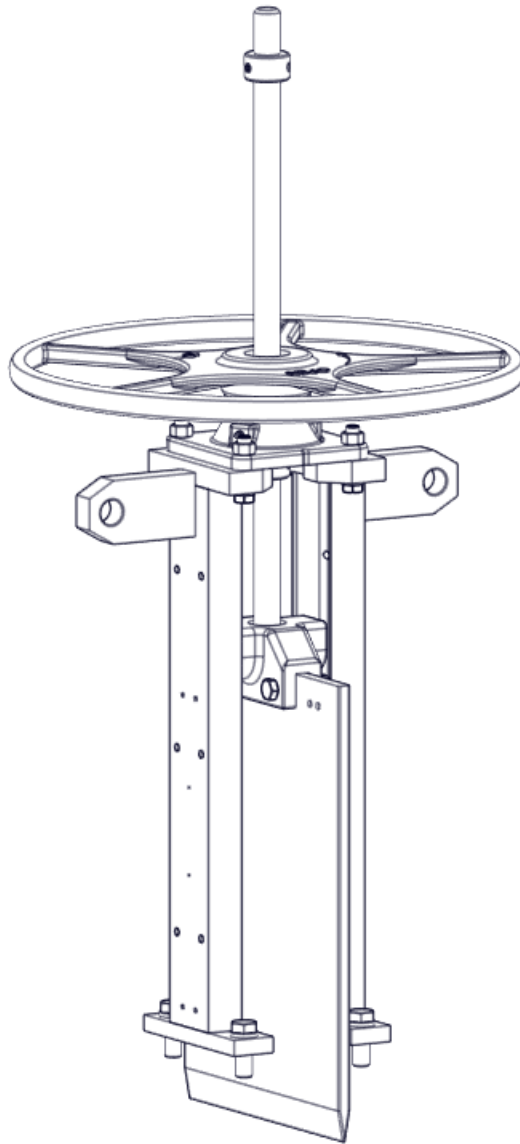




MANUAL ACTUATOR FOR KSL-SD SLURRY VALVES



Instruction **D11047**
September 2016

DeZURIK

Manual Actuator for KSL-SD Slurry Valves

Instructions

These instructions are intended for personnel who are responsible for the installation, operation and maintenance of your manual actuator.

Safety Messages

All safety messages in the instructions are flagged with the word Caution, Warning or Danger. These messages must be followed exactly to avoid equipment damage, personal injury or death.

Safety label(s) on the product indicate hazards that can cause equipment damage, personal injury or death. If a safety label becomes difficult to see, or if a label has been removed, please contact DeZURIK for replacement.



WARNING!

Personnel involved in the installation or maintenance of valves should be constantly alert to potential emission of process material and take appropriate safety precautions. Always wear suitable protection when dealing with hazardous process materials. Handle valves which have been removed from service with the assumption of process material within the valve.

Inspection

Your manual actuator has been packaged to provide protection during shipment. Carefully inspect the unit for damage upon arrival and file a claim with the carrier if damage is apparent.

Parts

Recommended spare parts are listed on the assembly drawing. These parts should be stocked to minimize downtime.

Order parts from your DeZURIK sales representative, or directly from DeZURIK. When ordering parts, please include the serial number or the 7-digit part number and 4-digit revision number (example: **9999999R000**) located on the data plate attached to the valve assembly. Also include the part name, the assembly drawing number, the balloon number and the quantity stated on the assembly drawing.

DeZURIK Service

DeZURIK service personnel are available to install, maintain and repair all DeZURIK products. DeZURIK also offers customized training programs and consultation services. For more information, contact your local DeZURIK sales representative or visit our website at www.dezurik.com.

Lubrication

Lubricate the fitting near the top of the yoke monthly with a silicon-based grease, see Table 1.

<i>Silicone-Based Lubricant</i>	<i>Manufacturer</i>
<i>Recommended:</i>	
MOLYKOTE 111	Dow Corning
<i>Approved Alternatives:</i>	
MOLYKOTE 44	Dow Corning
Sil Glyde	AGS Company
Chemplex 825	FUCHS
7 Release Compound	Dow Corning
G661	Novagard

Operation

Handwheel or Chainwheel

Rotate the handwheel or chainwheel clockwise to close the valve.

Note: There is an arrow cast on the wheel to indicate direction of rotation.

Removing Actuator

1. Close the valve.
2. Disconnect the stem from the gate by removing the two screws and nuts.
3. Remove the screws securing the legs to the valve, then separate the actuator from the valve.

Actuator Installation

1. Close the valve.
2. Set the actuator on the valve and secure it in place with the screws.
3. Connect the stem to the gate with two screws and nuts.

Mounting Handwheel on 2-10" Valves

2–10" Valves—See Figure 2

Two coiled spring pins (B8) provided by DeZURIK are used to connect the handwheel (B2) to the yoke sleeve (B7). The use of any other type of pin could result in actuator failure.

1. Place the bearing race (B4) and the needle roller bearing (B3) on the yoke sleeve (B7).
2. Rotate the yoke sleeve (B7) until the flange on the yoke sleeve touches the bearing plate (B1).
3. Place needle roller bearing (B3), the bearing race (B5) and the wave washer (B6) over the yoke sleeve (B3) so they are on top of the bearing plate (B1).
4. Set the handwheel (B2) in place. Turn the handwheel so the holes in the handwheel line up with the pin grooves in the yoke sleeve (B7).
5. Insert a 5/16"-diameter bolt in one of the holes.

Note: This will prevent misalignment. If the holes are not aligned with the pin grooves in the yoke sleeve (B7), it could be damaged by the coiled spring pins (B8) provided by DeZURIK.



WARNING!

This actuator has been designed to use only heavy-duty coiled spring pin provided by DeZURIK. The use of any other brand or type of pin will result in actuator failure. See Figure 1.

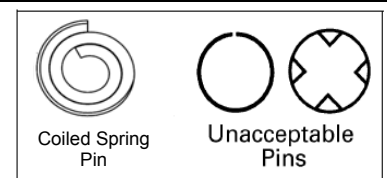
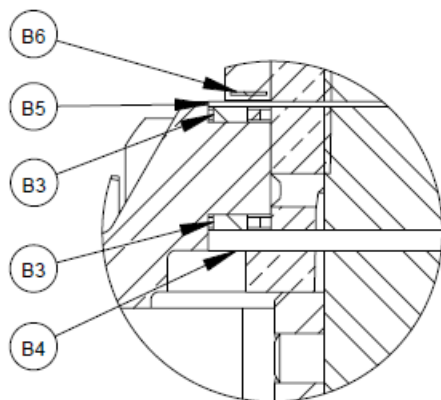
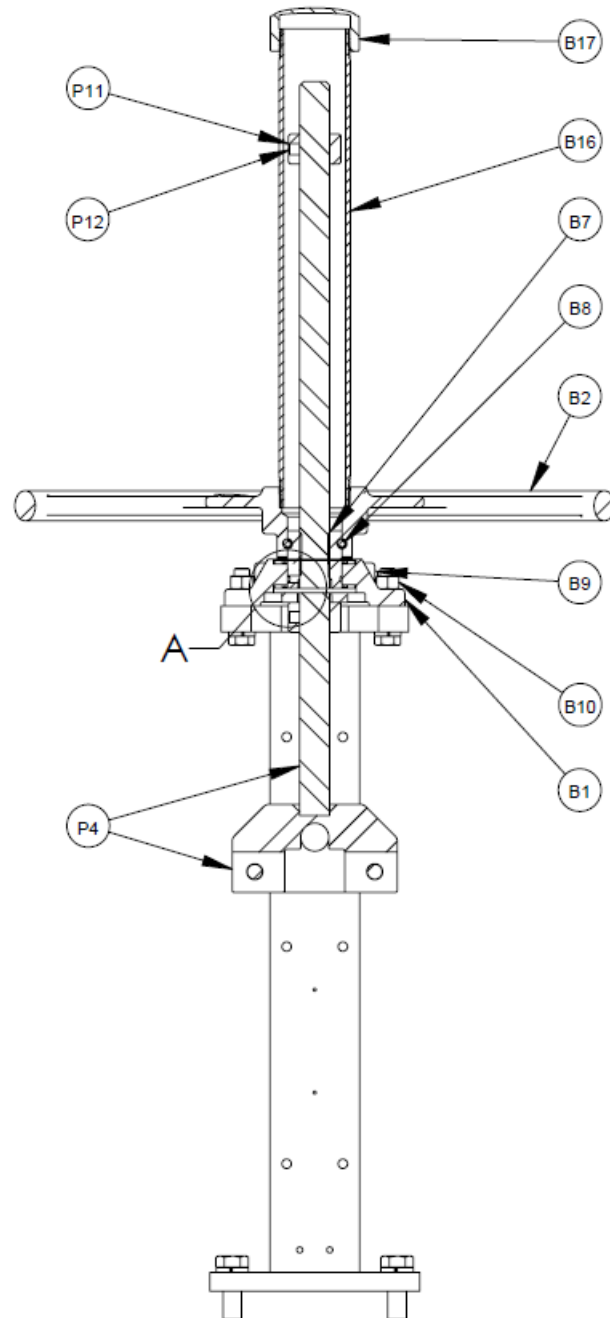


FIGURE 1– Pin Designs

6. Drive a coiled spring pin (B8) provided by DeZURIK into the remaining hole in the handwheel (B2) until the end of the pin is flush with the outer surface of the handwheel.
7. Remove the 5/16" bolt installed in Step 5, and drive a coiled spring pin (B8) provided by DeZURIK into the hole.
8. Install top stop collar (P11) onto clip & stem (P4) and secure position with set screws (P12). This stop collar (P11) is to stop on top of the yoke sleeve (B7) when the valve is in the closed position. Refer to installation drawing for gate closed measurement.
9. Lubricate the actuator as described in the LUBRICATION section of these instructions.

Figure 2—2-10" Handwheel Mounting Configuration

B1	BEARING PLATE
B2	HANDWHEEL
B3	NEEDLE ROLLER BEARING
B4	BEARING RACE
B5	BEARING RACE
B6	VALVE WASHER
B7	YOKE SLEEVE MACHINING
B8	PIN
B9	GREASE FITTING
B10	NUT
B16	EXTENSION PIPE (OPTION)
B17	CAP (OPTION)
P4	CLIP & STEM
P11	STOP COLLAR
P12	SET SCREW



DETAIL A

Mounting Chainwheel on 2-10" Valves

2-10" Valves—See Figure 3

Two coiled spring pins (B8) provided by DeZURIK are used to connect the chainwheel (B2) to the yoke sleeve (B7). The use of any other type of pin will result in actuator failure.

1. Place the bearing race (B4) and the needle roller bearing (B3) on the yoke sleeve (B7).
2. Rotate the yoke sleeve (B7) until the flange on the yoke sleeve touches the bearing plate (B1).
3. Place needle roller bearing (B3), the bearing race (B5) and the wave washer (B6) over the yoke sleeve (B3) so they are on top of the bearing plate (B1).
4. Assemble chainwheel (B2) with chain guide (B11) by using fasteners (B13, B14). Refer to installation drawing for chain guide (B11) orientation. Set the assembly on top of yoke sleeve (B7) in place. Turn the chainwheel so the holes in the chainwheel line up with the pin grooves in the yoke sleeve (B7).
5. Insert a 5/16"-diameter bolt in one of the holes.

Note: This will prevent misalignment. If the holes are not aligned the pin grooves in the yoke sleeve (B7) could be damaged by the coiled spring pins (B8) provided by DeZURIK.



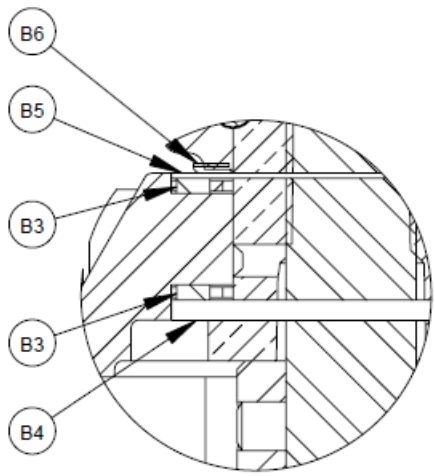
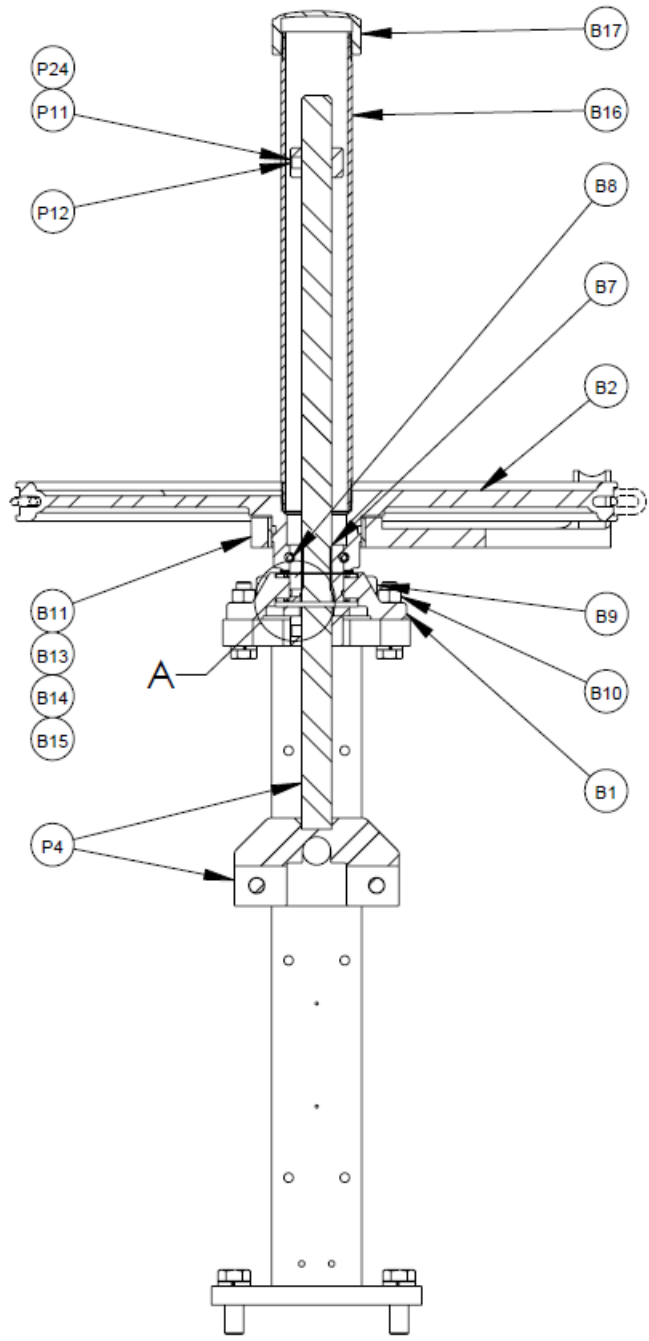
WARNING!

This actuator has been designed to use only coiled spring pins provided by DeZURIK. The use of any other brand or type of pin will result in actuator failure. See Figure 1.

6. Drive a coiled spring pin (B8) provided by DeZURIK into the remaining hole in the chainwheel (B2) until the end of the pin is flush with the outer surface of the chainwheel.
7. Remove the 5/16" bolt installed in Step 5, and drive a coiled spring pin (B8) provided by DeZURIK into the hole.
8. Install top stop collar (P24 for 2~4" or top stop collar P11 for 6~10") onto the clip & stem (P4) and secure position with set screw (P12). This stop collar is to stop on top of the yoke sleeve (B7) when the valve is in the closed position. Refer to installation drawing for gate closed measurement. The top stop collar prevents the retaining bolt assembly (and the chainwheel) from being dislodged if the two coiled spring pins provided by DeZURIK are damaged or fatigued.
9. Lubricate the actuator as described in the LUBRICATION section of these instructions.

Figure 3—2-10" Chainwheel Mounting Configuration

B1	BEARING PLATE
B2	CHAINWHEEL
B3	NEEDLE ROLLER BEARING
B4	BEARING RACE
B5	BEARING RACE
B6	WAVE WASHER
B7	YOKE SLEEVE MACHINING
B8	PIN
B9	GREASE FITTING
B10	NUT
B11	CHAIN GUIDE
B13	SET SCREW
B14	NUT
B15	LINK CLOSING
B16	EXTENSION TUBE (OPTION)
B17	CAP (OPTION)
P4	CLIP & STEM
P11	STOP COLLAR (6-10")
P12	SET SCREW
P24	STOP COLLAR (2-4")



DETAIL A

Guarantee

Products, auxiliaries and parts thereof of DeZURIK, Inc. manufacture are warranted to the original purchaser for a period of twenty-four (24) months from date of shipment from factory, against defective workmanship and material, but only if properly installed, operated and serviced in accordance with DeZURIK, Inc. recommendations. Repair or replacement, at our option, for items of DeZURIK, Inc. manufacture will be made free of charge, (FOB) our facility with removal, transportation and installation at your cost, if proved to be defective within such time, and this is your sole remedy with respect to such products. Equipment or parts manufactured by others but furnished by DeZURIK, Inc. will be repaired or replaced, but only to the extent provided in and honored by the original manufacturers warranty to DeZURIK, Inc., in each case subject to the limitations contained therein. No claim for transportation, labor or special or consequential damages or any other loss, cost or damage shall be allowed. You shall be solely responsible for determining suitability for use and in no event shall DeZURIK, Inc. be liable in this respect. DeZURIK, Inc. does not guarantee resistance to corrosion, erosion, abrasion or other sources of failure, nor does DeZURIK, Inc. guarantee a minimum length of service. Your failure to give written notice to us of any alleged defect under this warranty within twenty (20) days of its discovery, or attempts by someone other than DeZURIK, Inc. or its authorized representatives to remedy the alleged defects therein, or failure to return product or parts for repair or replacement as herein provided, or failure to install and operate said products and parts according to instructions furnished by DeZURIK, Inc., or misuse, modification, abuse or alteration of such product, accident, fire, flood or other Act of God, or failure to pay entire contract price when due shall be a waiver by you of all rights under this warranty.

The foregoing guarantee shall be null and void if, after shipment from our factory, the item is modified in any way or a component of another manufacturer, such as but not limited to, an actuator is attached to the item by anyone other than DeZURIK, Inc. Factory Service personnel. All orders accepted shall be deemed accepted subject to this limited warranty, which shall be exclusive of any other or previous Warranty, and this shall be the only effective guarantee or warranty binding on DeZURIK, Inc., despite anything to the contrary contained in the purchase order or represented by any agent or employee of DeZURIK, Inc., in writing or otherwise, notwithstanding, including but not limited to implied warranties.

THE FOREGOING REPAIR AND REPLACEMENT OBLIGATIONS ARE IN LIEU OF ALL OTHER WARRANTIES, OBLIGATIONS AND LIABILITIES, INCLUDING ALL WARRANTIES OF FITNESS FOR A PARTICULAR PURPOSE OR OF MERCHANTABILITY OR OTHERWISE, EXPRESSED OR IMPLIED IN FACT OR BY LAW, AND STATE DEZURIK, INC.'S ENTIRE AND EXCLUSIVE LIABILITY AND YOUR EXCLUSIVE REMEDY FOR ANY CLAIM IN CONNECTION WITH THE SALE AND FURNISHING OF SERVICES, GOODS OR PARTS, THEIR DESIGN, SUITABILITY FOR USE, INSTALLATION OR OPERATIONS.

Limitation of liability

LIMITATION OF LIABILITY: IN NO EVENT SHALL DEZURIK, INC. BE LIABLE FOR ANY DIRECT, INDIRECT, SPECIAL OR CONSEQUENTIAL DAMAGES WHATSOEVER, AND DEZURIK, INC.'S LIABILITY, UNDER NO CIRCUMSTANCES, WILL EXCEED THE CONTRACT PRICE FOR THE GOODS AND/OR SERVICES FOR WHICH LIABILITY IS CLAIMED. ANY ACTION BY YOU FOR BREACH OF CONTRACT MUST BE COMMENCED WITHIN 12 MONTHS AFTER THE DATE OF SALE.

Sales and Service

For information about our worldwide locations, approvals, certifications and local representative:

Web site: www.dezurik.com E-Mail: info@dezurik.com



250 Riverside Ave. N. Sartell, Minnesota 56377 • Phone: 320-259-2000 • Fax: 320-259-2227

DeZURIK, Inc. reserves the right to incorporate our latest design and material changes without notice or obligation. Design features, materials of construction and dimensional data, as described in this manual, are provided for your information only and should not be relied upon unless confirmed in writing by DeZURIK, Inc. Certified drawings are available upon request.