



DeZURIK LEVEL SENSOR ISOLATION VALVE



- Valve design allows removal of sensor without draining stock chest.
- Special bolt pattern allows valve to be bolted to any stock chest configuration and to be direct mounted to tank.
- Ratchet or socket drive actuator allows close mounting of valve to tank.
- Two purge connections.
- Body and gate materials include 316 or 317 Stainless Steel. Hastelloy C and 254 SMO stainless.
- Resilient seat materials include PTFE composite, chloro-sulfonyl-polyethylene and fluoro-rubber.

Ordering

KLS	3,	L1L,	S2,	C,	CSM,	*	MN-RH-CS
-----	----	------	-----	----	------	---	----------

Valve Style Valve Size End Style Body Material Packing Material Seat Material Actuator Code

Valve Style

Give body style code as follows:

KLS = Level Sensor Knife Gate Valve

Valve Size

Give size code as follows:

3 = 3" (80mm)

End Style

Give end style code as follows:

L1L = Lugged ANSI 150, Level Sensor

Body and Gate Material

Give material code as follows:

S2 = 316 Stainless Steel

S3 = 317 Stainless Steel

HC = Hastelloy C

S6 = 254 SMO Stainless Steel

Packing Material

Give packing material code as follows:

ZJ = Square braided PTFE impregnated synthetic fiber with one ring PTFE cord (do not use on clean services) to 500°F (260°C), pH 0-14

Seat Material

Give seat material code as follows:

CSM = Chloro-sulfonyl-polyethelene to 200°F (94°C)

T = PtFE composite to 450°F (233°C)

FKM = Fluoro-rubber to 450°F (233°C)

Actuator

Type

MN = Manual

Style

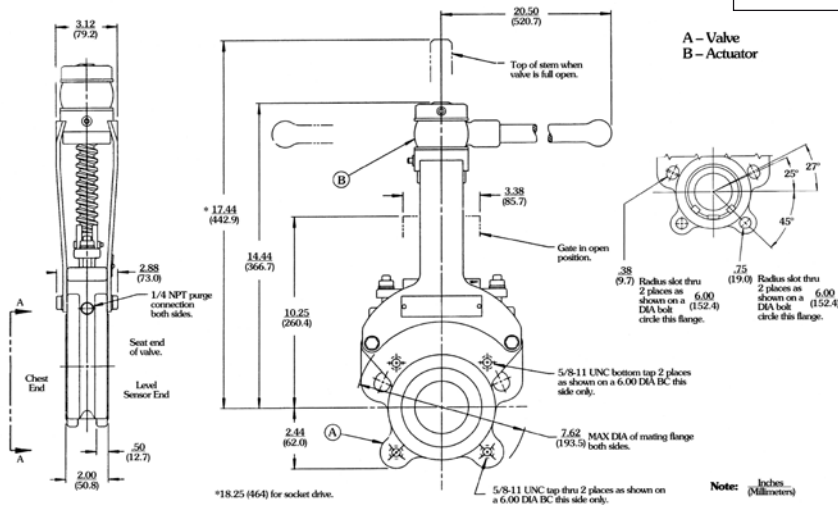
RH = Ratchet Handle

SD = Socket Drive

Yoke Material

CS = Carbon Steel

S1 = 304 Stainless Steel



Sales and Service

For information about our worldwide locations, approvals, certifications and local representative:

Web Site: www.dezurik.com E-Mail: info@dezurik.com



250 Riverside Ave. N. Sartell, Minnesota 56377 • Phone: 320-259-2000 • Fax: 320-259-2227

DeZURIK, Inc. reserves the right to incorporate our latest design and material changes without notice or obligation. Design features, materials of construction and dimensional data, as described in this bulletin, are provided for your information only and should not be relied upon unless confirmed in writing by DeZURIK, Inc. Certified drawings are available upon request.