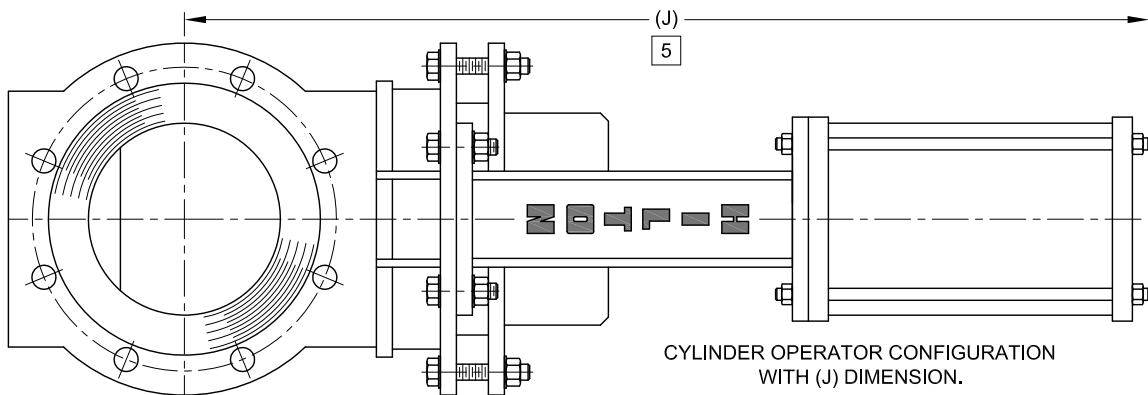
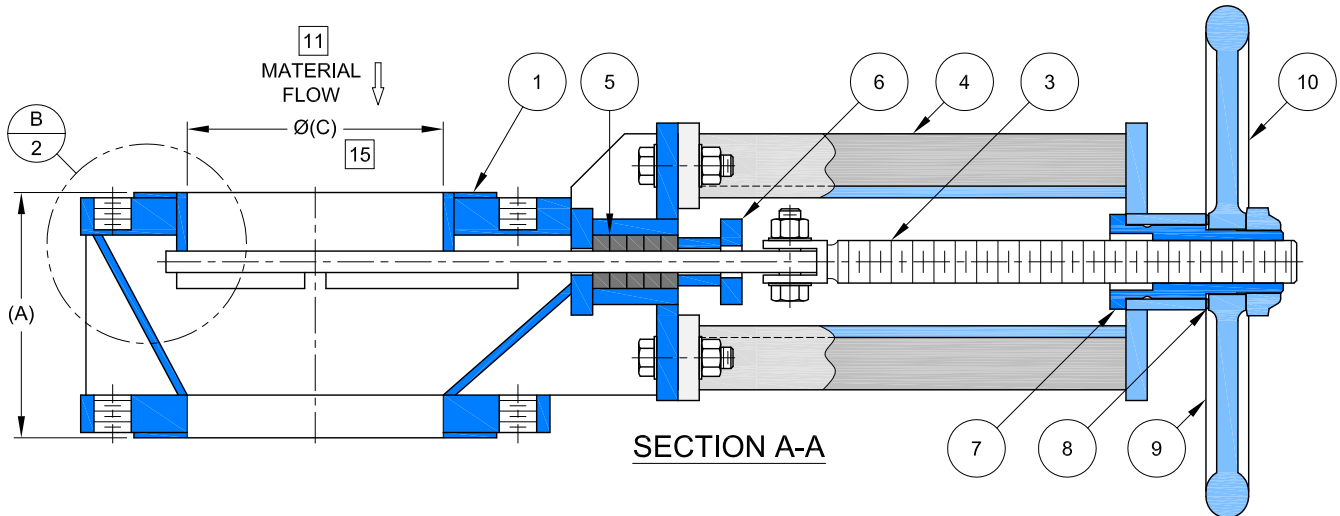
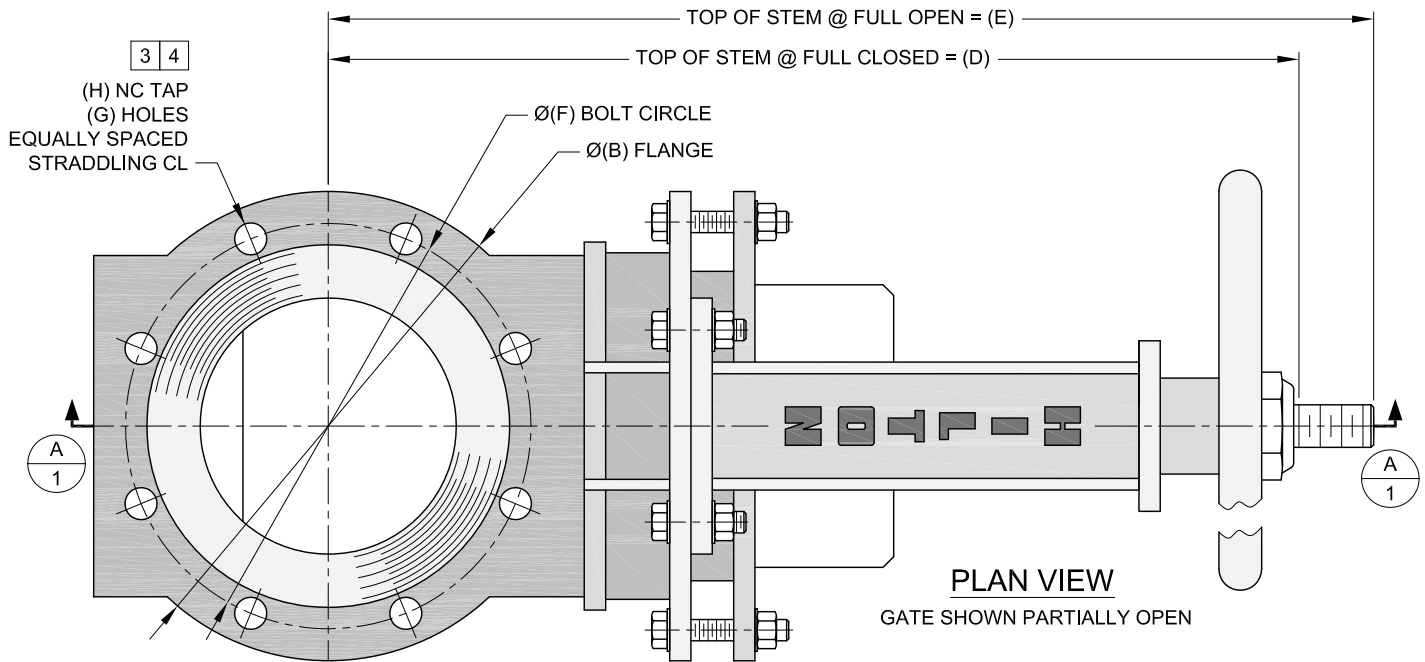


► 4" - 24" Bonnetless Tapered Body Knife Gate Valve



REVISED: 05 / 01 / 13

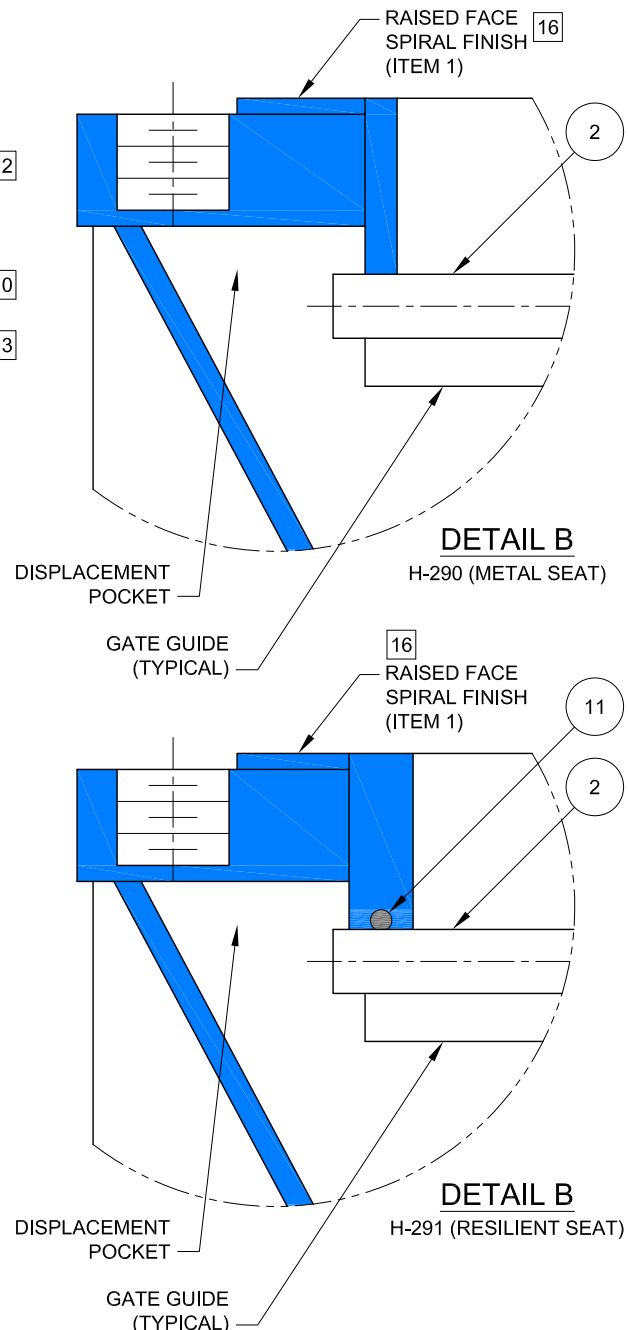
► 4" -24" Bonnetless Tapered Body Knife Gate Valve

DIM	4"Ø	5"Ø	6"Ø	8"Ø	10"Ø	12"Ø	14"Ø	16"Ø	18"Ø	20"Ø	22"Ø	24"Ø
A	5	5 1/2	6	7 1/2	9	10 1/2	12	13 1/2	15	16 1/2	18	19 1/2
B	9	10	11	13 1/2	16	19	21	23 1/2	25	27 1/2	29 1/2	32
C-max	4	5	6	8	10	12	14	16	18	20	22	24
C-min	3 5/8	4 1/2	5 1/2	7 1/4	9	10 7/8	12 5/8	14 1/2	16 1/4	18	19 7/8	21 5/8
D	21	22 1/2	24 1/2	28 1/2	32	35 1/2	39 1/2	43 1/2	48	52	56 1/2	61
E	25	27 1/2	30 1/2	36 1/2	42	47 1/2	53 1/2	59 1/2	66	72	78 1/2	85
F	7 1/2	8 1/2	9 1/2	11 3/4	14 1/4	17	18 3/4	21 1/4	22 3/4	25	27 1/4	29 1/2
G	8	8	8	8	12	12	12	16	16	20	20	20
H	5/8"-11	3/4"-10	3/4"-10	3/4"-10	7/8"-9	7/8"-9	1"-8	1"-8	1 1/8"-7	1 1/8"-7	1 1/4"-7	1 1/4"-7
J	32	35	39	46	52	58	65	73	80	86	92 1/2	99
WGT	70 lb	80 lb	100 lb	140 lb	190 lb	270 lb	350 lb	450 lb	550 lb	680 lb	830 lb	990 lb

ITEM	QTY	DESCRIPTION	MATERIAL
1	1	VALVE BODY	ALLOY STEEL
2	1	GATE	ALLOY STEEL
3	1	STEM	ALLOY STEEL
4	1	YOKE	CS/304 SS
5	1	PACKING SET	TFE/SYN FIBER
6	1	PACKING FOLLOWER	ALLOY STEEL
7	1	STEM NUT	BRONZE
8	1	THRUST WASHER	BRONZE
9	1	HANDWHEEL	DUCTILE IRON
10	1	HANDWHEEL NUT	STEEL
11	1	SEAL RING	VITON

NOTES:

- DESIGN PRESSURE: 150 PSIG (CWP)
- DESIGN TEMPERATURE: 400°F
- FLANGE DRILLING PER ANSI B16.5 CLASS 150
- ALL BOLT HOLES ON INLET FLANGE ARE THREADED BLIND.
- DIMENSION (J) IS FOR REFERENCE PURPOSES ONLY. ACTUAL DIMENSION MAY VARY DEPENDING ON SIZE OF CYLINDER USED.
- LARGER SIZES ARE AVAILABLE.
- ADDITIONAL PRESSURE AND TEMPERATURE RATINGS AVAILABLE.
- ALL DIMENSIONS IN INCHES UNLESS OTHERWISE NOTED.
- DIMENSIONS ARE APPROXIMATE.
- HANDWHEEL OPERATORS ARE FURNISHED STANDARD. A WIDE VARIETY OF MANUAL AND POWERED OPERATORS ARE AVAILABLE AS SHOWN IN THE OPERATORS SECTION.
- THE H-290 IS INHERENTLY REVERSE FLOW WITH A GUIDED GATE. GATE WEDGES MAY BE INCORPORATED DEPENDING ON SHUT-OFF REQUIREMENTS.
- TEFLON-ACRYLIC IS STANDARD PACKING MATERIAL. ADDITIONAL MATERIALS ARE AVAILABLE.
- SEAL RING IS AVAILABLE IN VITON, TEFLON, BUNA-N, NEOPRENE, POLYURETHANE, OR OTHER ELASTOMERS.
- VALVE IS SHOWN WITH SOLID ALLOY CONSTRUCTION AND IS AVAILABLE IN ANY WELDABLE ALLOY. ALSO AVAILABLE IN WETTED PARTS CONSTRUCTION.
- PORT DIAMETER EXCEEDS MSS SP-81. IF FULL PIPE INNER DIAMETER IS REQUIRED, IT SHOULD BE SPECIFIED.
- FLAT FACED FLANGES ARE AVAILABLE.
- MOST FEATURES CAN BE CUSTOMIZED AS REQUIRED. COMMON OPTIONS AND MODIFICATIONS INCLUDE SQUARE PORTS, PURGES, REMOVABLE SEATS, CUSTOM FACE-TO-FACE (A), LIVE LOADED PACKING, GATE WIPERS AND HARDFACING.



REVISED: 05/01/13