

APCO ASR-400/450 SEWAGE AIR RELEASE VALVES



Instruction D12005
March 2022

Instructions

These instructions are for use by personnel who are responsible for the installation, operation and maintenance of DeZURIK valves, actuators or accessories.

Safety Messages

All safety messages in the instructions are identified by a general warning sign and the signal word CAUTION, WARNING or DANGER. These messages indicate procedures to avoid injury or death.

Safety label(s) on the product indicate hazards that can cause injury or death. If a safety label becomes difficult to see or read, or if a label has been removed, please contact DeZURIK for replacement label(s).

⚠WARNING

Personnel involved in the installation or maintenance of valves should be constantly alert to potential emission of pipeline material and take appropriate safety precautions. Always wear suitable protection when dealing with hazardous pipeline materials. Handle valves which have been removed from service with suitable protection for any potential pipeline material in the valve.

Inspection

Your DeZURIK product has been packaged to provide protection during shipment; however, items can be damaged in transport. Carefully inspect the unit for damage upon arrival and file a claim with the carrier if damage is apparent.

Parts

Replaceable wear parts are listed on the assembly drawing. These parts can be stocked to minimize downtime. Order parts from your local DeZURIK sales representative or directly from DeZURIK. When ordering parts please provide the following information:

If the valve has a data plate: please include the 7-digit part number with either 4-digit revision number (example: 9999999R000) or 8-digit serial number (example: S1900001) whichever is applicable. The data plate will be attached to the valve assembly. Also, include the part name, the assembly drawing number, the balloon number and the quantity stated on the assembly drawing.

If there isn't any data plate visible on the valve: please include valve model number, part name, and item number from the assembly drawing. You may contact your local DeZURIK Representative to help you identify your valve.

DeZURIK Service

DeZURIK service personnel are available to maintain and repair all DeZURIK products. DeZURIK also offers customized training programs and consultation services. For more information, contact your local DeZURIK sales representative or visit our website at DeZURIK.com.

Table of Contents

- Description.....3
- Handling and Storage3
- Installation.....3
- Fusion Bonded Epoxy Coated Valves3
- Maintenance/Backflushing.....4
 - Backflushing to Force Main.....4
 - Backflushing to Atmospheric or Vacuum Tank5
 - Disassembly Procedure6
 - Assembly Procedure6
 - Testing6
- Operation6
- Drawings.....7
- Troubleshooting11

DeZURIK

APCO ASR-400/450 Sewage Air Release Valves

Description

APCO ASR-400/450 Sewage Air Release Valves are specially designed for use with sewage and waste media. The elongated body prevents sewage or dirty wastewater from fouling the venting mechanism. The float and venting mechanisms in the valve allow air/gas built up in the pipeline to escape while preventing media spillage or spurting.

Handling and Storage

Lifting the valve improperly may damage it. Do not fasten lifting devices to piping or attached components. Lift the valve with a sling around the body.

If installation will be delayed, place valve indoors in secure, weather tight storage. If temporary outside storage is unavoidable, make sure a vermin proof rain cover (water shedding tarp, etc.) is secured around/over the valve to keep off rain and mud. Skid and set the valve on a flat, solid, and well drained surface for protection from ground moisture, runoff and pooled rain water.

Installation

Sewage Air Release Valves are installed on all high points of a system where it has been determined Sewage Air Release valves are needed to release accumulated pipeline air. These valves should always be installed in a vertical position. An isolation valve between this unit and the transmission (pipeline) system is recommended for inspection and backflushing.

- Before installation, remove foreign material such as weld spatter, oil, grease, and dirt from the pipeline.
- Prepare pipe ends and install valves in accordance with the pipe manufacturer's instructions for the joint used.

NOTICE

Do not deflect the pipe-valve joint. Minimize bending stresses in the valve end connection with pipe loading.

- For valves with flanged inlet, tighten the flange bolts or studs in a crisscross pattern and minimum of four stages.
- The sewage air valve and valve vault should have adequate drainage and be sufficiently protected from possible freezing conditions.
- It is recommended that the sewage air valve discharge ports be ordered threaded and piped to a drain, particularly when installed within a pumping station, to prevent the danger of flooding due to malfunction or clogging.

Fusion Bonded Epoxy Coated Valves

NOTICE

Valves with optional fusion bonded epoxy coated exterior require flat washers to be installed under the flange nuts when installing the valve to the pipeline flange. This is to prevent the coating from cracking or chipping.

DeZURIK

APCO ASR-400/450 Sewage Air Release Valves

Maintenance/Backflushing

The valve should be backflushed to prevent grease and scum buildup inside the valve which can prevent the valve from operating properly. Valves can be ordered with the optional backflushing attachments.

The valve should be backflushed 6 months after the initial operating date. If the initial backflushing process only takes a few minutes to clean the valve, the next backflushing can be scheduled in 12 months. If the initial backflushing process takes 15 minutes or longer to clean the valve, the next backflushing should be scheduled in 3 months.

With the exception of backflushing, Sewage Air Release Valves are automatic in operation and require very little or no maintenance. It is recommended that they be checked visually semi-annually for leakage. A malfunction of the valve will be evident by leakage of the media out of the seating area of the exhaust port. Should a malfunction occur, the steps starting with the **Disassembly Procedure** section should be taken to repair the valve.

Backflushing to Force Main

If a clean water service is available, it must be at least 15 psi higher than the main pressure, to prevent sewage from back flowing into the potable water line. Backflush Kit hose pressure is not to exceed 200 psi.

Valves (**with optional Backflush Attachment**) may be flushed back into the force main by:

See Figures 1-4 for part identification

1. Leave the isolation valve between the ASR Sewage Air Release Valve and the pipeline open.
2. Connect the backflush hose (H15) to ball valve (H11) using the quick disconnect (H12).
3. Backflush for 2-3 minutes (or as long as it takes to flush out all the sediment).
4. Close ball valve (H11).
5. Transfer the backflush hose to quick disconnect (H12) in the top of the cover (R2) and flush for 1 minute.
6. After backflushing, close the isolation valve between the ASR Sewage Air Release Valve and the pipeline.
7. Remove backflush hose (H15) and vent pressure in the valve through ball valve (H11).

⚠WARNING

Servicing the Sewage Air Release Valve while the pipeline is under pressure can cause personal injury or equipment damage. Relieve pipeline pressure or shut off isolation valve before servicing the Sewage Air Release Valve.

8. Remove cover bolts (R4) and remove the cover (R2).
9. Visually inspect the valve interior. If grease deposits interfere with the valve operation, scrape out grease deposits.
10. If the valve was leaking through the outlet port during backflushing, replace the seat (R6) and needle (R7) before reassembling the cover (R2).
11. Reassemble cover (R2) and cover bolts (R4). Tighten cover bolts (R4) in a crisscross pattern.
Note: If cover gasket (R3) is damaged, replace cover gasket.
12. Slowly open isolation valve between the ASR Sewage Air Release Valve and the pipeline to place valve back in service.

DeZURIK

APCO ASR-400/450 Sewage Air Release Valves

Maintenance/Backflushing (Continued)

Backflushing to Atmospheric or Vacuum Tank

If a clean water service is not available, with 15 psi higher than the main pressure, backflush through ball valve (H14) into an atmospheric or vacuum collection tank. Backflush Kit hose pressure is not to exceed 200psi.

Valves (**with optional Backflush Attachment**) may be flushed back into tank by:

See Figures 1-4 for part identification

1. Close isolation valve between ASR Sewage Air Release Valve and pipeline.
2. Connect ball valve (H14) to an atmospheric or vacuum collection tank.
Note: If a vacuum collection tank is used, a pipe plug with a ¼" hole in it may be inserted into the outlet port of the Sewage Air/Vacuum Valve to limit the amount of air drawn back into the vacuum tank.
3. Open ball valve (H14).
4. Connect the backflush hose (H15) to ball valve (H11).
5. Backflush for 2-3 minutes (or as long as it takes to flush out all the sediment).
6. Close ball valve (H11).
7. Transfer the backflush hose to quick disconnect (H12) in the top of the cover (R2) and flush for 1 minute.
8. After backflushing, keep isolation valve between ASR Sewage Air Release Valve and pipeline closed.
9. Remove backflush hose (H15) and vent pressure in the valve through ball valve (H11).

⚠WARNING

Servicing the Sewage Air Release Valve while the pipeline is under pressure can cause personal injury or equipment damage. Relieve pipeline pressure or shut off isolation valve before servicing the Sewage Air Release Valve.

10. Remove cover bolts (R4) and remove the cover (R2).
11. Visually inspect the valve interior. If grease deposits interfere with the valve operation, scrap out grease deposits.
12. If the valve was leaking through the outlet port during backflushing, replace the seat (R6) and needle (R7) before reassembling the cover (R2).
13. Reassemble cover (R2) and cover bolts (R4). Tighten cover bolts (R4) in a crisscross pattern.
Note: If cover gasket (R3) is damaged, replace cover gasket (R3).
14. Close ball valve (H14).
15. Slowly open isolation valve between ASR Sewage Air Release Valve and pipeline to place valve back in service.

DeZURIK

APCO ASR-400/450 Sewage Air Release Valves

Maintenance/Backflushing (Continued)

Disassembly Procedure

See Figures 1-2 for part identification.

▲WARNING

Servicing the Sewage Air Release Valve while the pipeline is under pressure can cause personal injury or equipment damage. Relieve pipeline pressure or shut off isolation valve before servicing the Sewage Air Release Valve.

▲WARNING

Do not completely remove pipe plug or cover bolts while the valve is under pressure.

1. Relieve pipeline pressure or shut off isolation valve at inlet to Sewage Air Release Valve.
2. Loosen pipe plug (R17/R18) in cover (R2) to relieve internal pressure. **Do not completely remove pipe plug while the valve is under pressure.**
3. Remove cover bolts (R4) and cover (R2) from the valve body (R1). **Note:** All internals are attached to the cover.
4. If cover gasket (R3) is torn or damaged, clean flange surfaces of cover (R2) and body (R1). Replace cover gasket (R3) if necessary.
5. Inspect sealing surface of needle (R7) and seat (R6) for nicks, wear or sediment coating from chemicals in the media. Clean or replace if necessary.
6. Inspect float (R14) to ensure that it is not damaged or that it does not have liquid in it. Replace float (R14) if damaged.
7. Inspect all components attached to the cover (R2) for excessive wear.
8. Clean all surfaces before re-assembly.

Assembly Procedure

See Figures 1-2 for part identification.

1. Re-assemble in the opposite order as disassembly procedure.
2. Assemble cover (R2) and attached components to body (R1), installing new cover gasket (R3) if necessary. Tighten cover bolts (R4) opposite each other in rotation.
3. Install and secure pipe plug (R17/R18) in cover (R2).
4. Open isolation valve on inlet to Sewage Air Release Valve. Valve is now back in service.

Testing

See Figures 1-2 for part identification.

1. Perform a seat test. Restore pipeline pressure and slowly fill the Sewage Air Release valve chamber by cracking open the isolation valve below the Sewage Air Release Valve. If seepage occurs once the upper needle (R7) is in contact with the seat (R6), reference the “Disassembly Procedure” and replace seat, needle, and/or float.

Operation

Sewage Air Release Valves release small amounts of air from the force main automatically and closes on liquid level rise. This valve is designed to operate under pressure.

Drawings

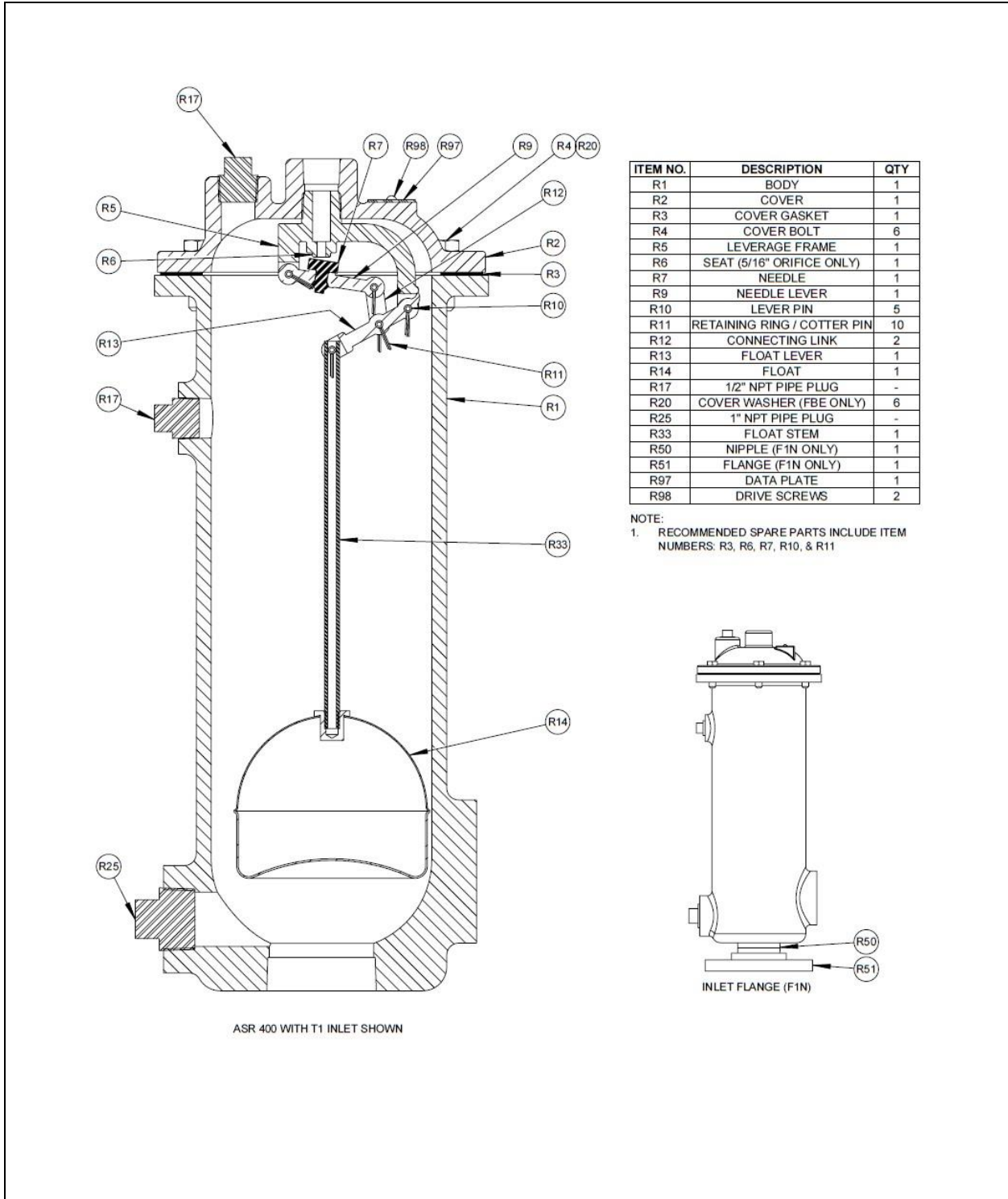


Figure 1: ASR-400 Sewage Air Release Valve

DeZURIK

APCO ASR-400/450 Sewage Air Release Valves

Drawings (Continued)

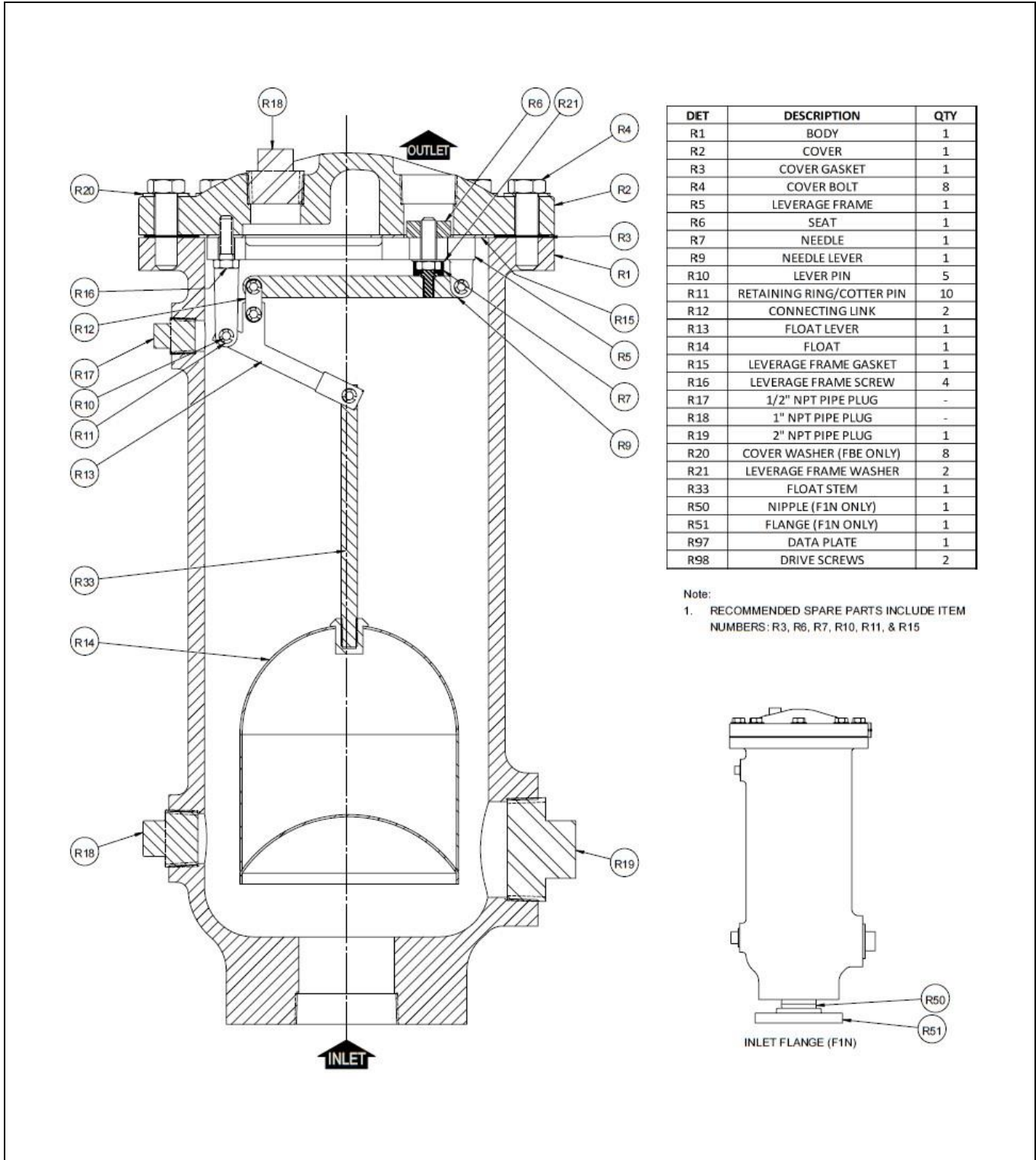


Figure 2: ASR-450 Sewage Air Release Valve

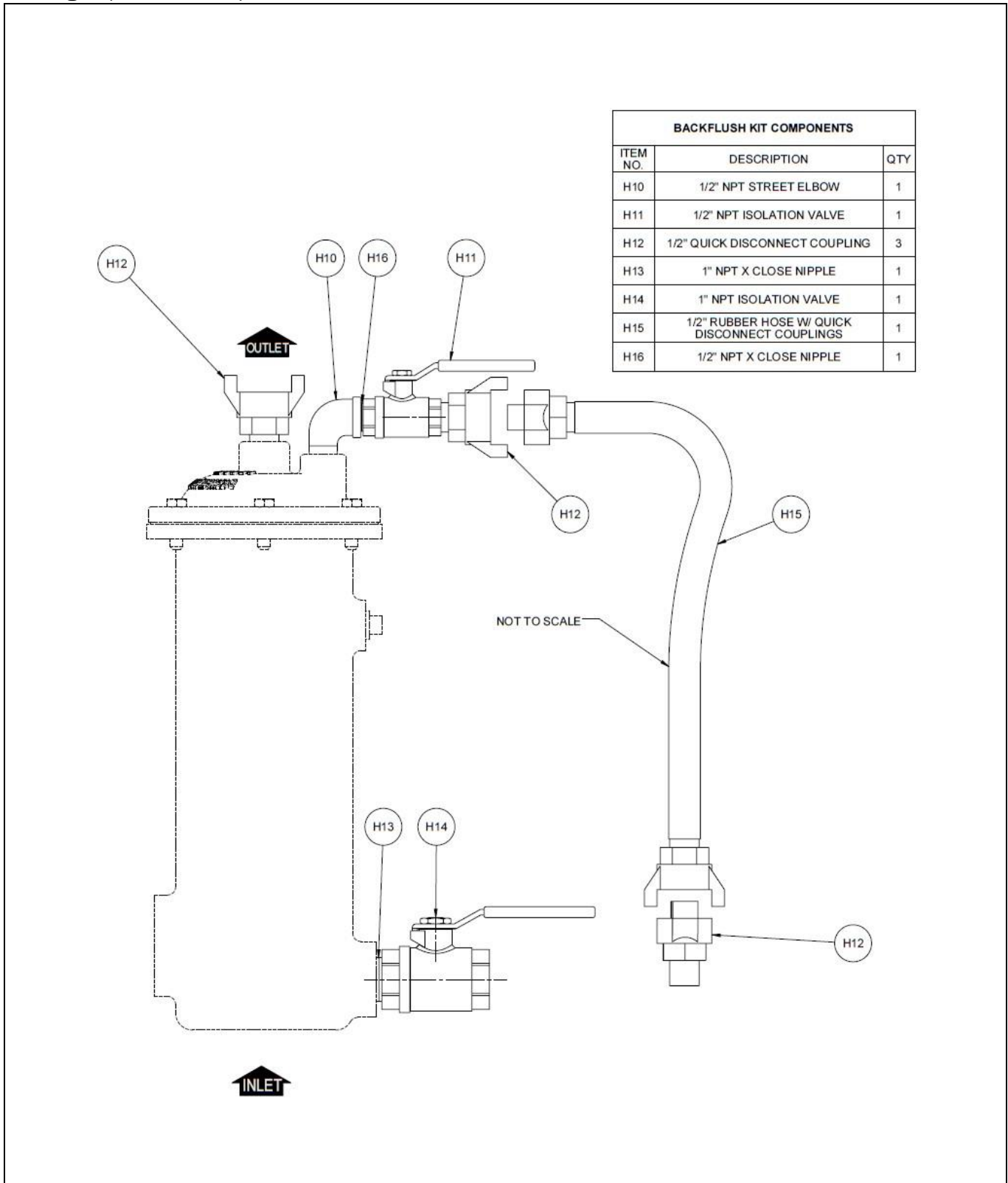


Figure 3: ASR-400 Sewage Air Release Valve BFK Backflush Kit

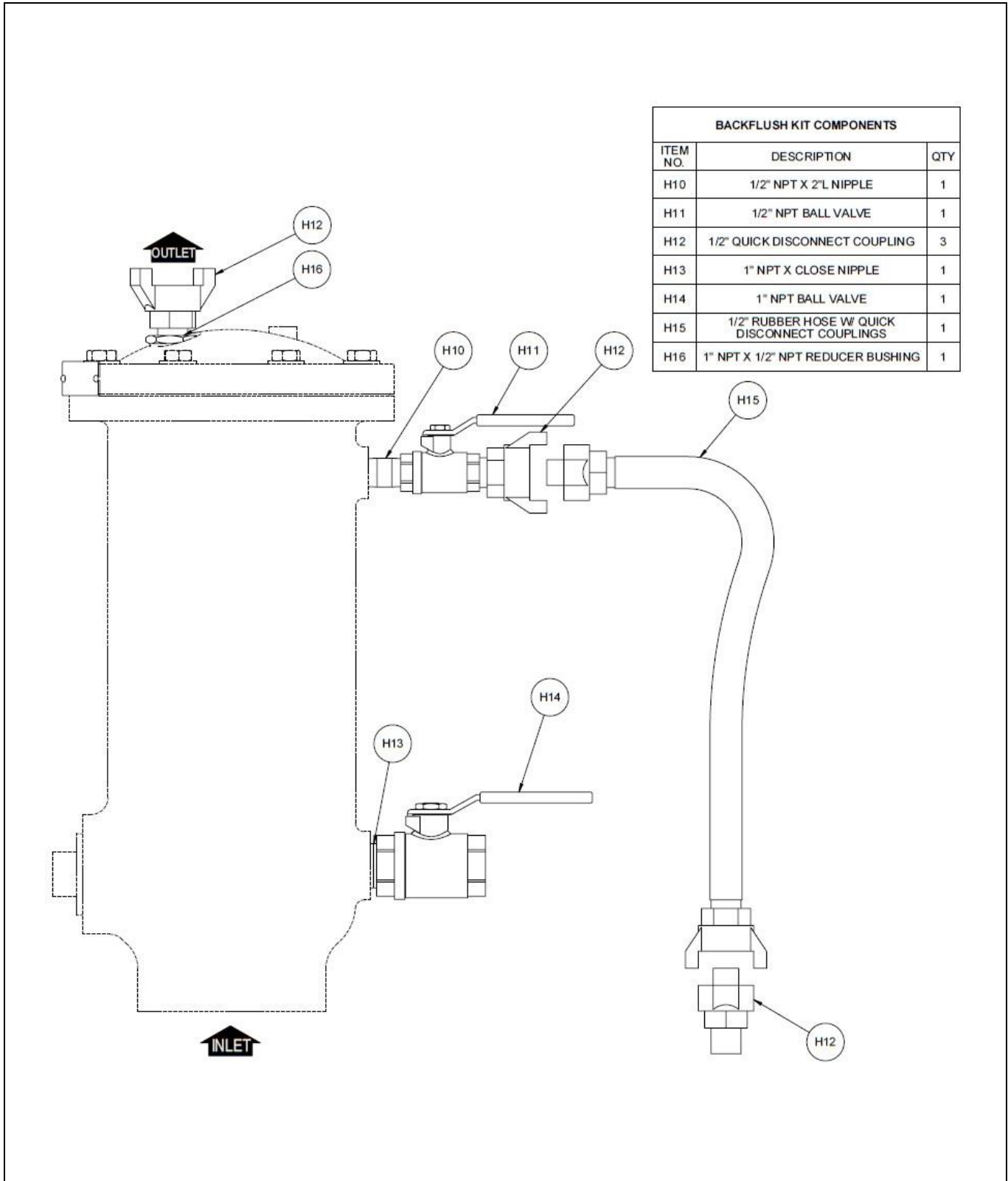


Figure 4: ASR-450 Sewage Air Release Valve BFK Backflush Kit

Troubleshooting

Condition	Possible Cause	Corrective Action
Valve leaks at flange joint.	Loose flange bolting.	Tighten flange bolting.
	Blown flange gasket.	Replace flange gasket.
	Misalignment or damage to field piping and supports.	Adjust misalignment or repair piping or supports.
	Damaged flange face/s or improper flange connections.	Repair flange, replace valve body or adjust flange connections.
Valve leaks out of outlet port.	Line pressure is under valve working pressure.	Replace needle with softer needle.
	Worn seat, needle and/or orifice.	Replace seat, needle and/or orifice.
	Float does not move freely.	Readjust position of leverage frame to cover.
	Float has liquid in it.	Replace float.
	Dirty seat, needle and/or orifice of leverage frame.	Clean seat, needle and/or orifice of leverage frame.
	Float linkage is dirty.	Clean float linkage.

Limited Warranty

DeZURIK, Inc. ("Seller") manufactured products, auxiliaries and parts for a period of twenty-four (24) months from date of shipment from Seller's factory, are warranted to the original purchaser only against defective workmanship and material, but only if properly stored, installed, operated, and serviced in accordance with Seller's recommendations and instructions.

For items proven to be defective within the warranty period, your exclusive remedy under this limited warranty is repair or replacement of the defective item, at Seller's option, FCA Incoterms 2020 Seller's facility with removal, transportation, and installation at your cost.

Products or parts manufactured by others but furnished by Seller are not covered by this limited warranty. Seller will provide repair or replacement for other's products or parts only to the extent provided in and honored by the original manufacturer's warranty to Seller, in each case subject to the limitations contained in the original manufacturer's warranty.

No claim for transportation, labor, or special or consequential damages or any other loss, cost or damage is being provided in this limited warranty. You shall be solely responsible for determining suitability for use and in no event shall Seller be liable in this respect.

This limited warranty does not warrant that any Seller product or part is resistant to corrosion, erosion, abrasion or other sources of failure, nor does Seller warrant a minimum length of service.

Your failure to give written notice to us of any alleged defect under this warranty within twenty (20) days of its discovery, or attempts by someone other than Seller or its authorized representatives to remedy the alleged defects therein, or failure to return product or parts for repair or replacement as herein provided, or failure to store, install, or operate said products and parts according to the recommendations and instructions furnished by Seller shall be a waiver by you of all rights under this limited warranty.

This limited warranty is voided by any misuse, modification, abuse or alteration of Seller's product, accident, fire, flood or other Act of God, or your failure to pay entire contract price when due.

The foregoing limited warranty shall be null and void if, after shipment from our factory, the item is modified in any way or a component of another manufacturer, such as but not limited to, an actuator is attached to the item by anyone other than a Seller factory authorized service personnel.

All orders accepted shall be deemed accepted subject to this limited warranty, which shall be exclusive of any other or previous Warranty, and this shall be the only effective guarantee or warranty binding on Seller, despite anything to the contrary contained in the purchase order or represented by any agent or employee of Seller in writing or otherwise, notwithstanding, including but not limited to implied warranties.

THE FOREGOING REPAIR AND REPLACEMENT LIMITED WARRANTY IS IN LIEU OF ALL OTHER WARRANTIES, OBLIGATIONS AND LIABILITIES, INCLUDING ALL WARRANTIES OF FITNESS FOR A PARTICULAR PURPOSE OR OF MERCHANTABILITY OR OTHERWISE, EXPRESSED OR IMPLIED IN FACT OR BY LAW, AND STATE SELLER'S ENTIRE AND EXCLUSIVE LIABILITY AND YOUR EXCLUSIVE REMEDY FOR ANY CLAIM IN CONNECTION WITH THE SALE AND FURNISHING OF SERVICES, GOODS OR PARTS, THEIR DESIGN, SUITABILITY FOR USE, INSTALLATION OR OPERATIONS.

Disclaimer

Metric fasteners should not be used with ASME Class 150/300 bolt holes and flange bolt patterns. If you use metric fasteners with ASME Class 150/300 bolt holes and flange bolt patterns, it may lead to product failure, injury, and loss of life. DeZURIK Inc. disclaims all liability associated with the use of metric fasteners with ASME Class 150/300 bolt holes and flange patterns, including but not limited to personal injury, loss of life, loss of product, production time, equipment, property damage, lost profits, consequential damages of any kind and environment damage and/or cleanup. Use of metric fasteners with ASME Class 150/300 bolt holes and flange bolt patterns is a misuse that voids all warranties and contractual assurances. If you use metric fasteners with ASME Class 150/300 bolt holes and flange bolt patterns, you do so at your sole risk and any liability associated with such use shall not be the responsibility of DeZURIK, Inc. In addition to the foregoing, DeZURIK's Manufacturer's Conditions apply.

Limitation of Liability

IN NO EVENT SHALL SELLER BE LIABLE FOR ANY DIRECT, INDIRECT, SPECIAL, PUNITIVE, OR CONSEQUENTIAL DAMAGES WHATSOEVER, AND SELLER'S LIABILITY, UNDER NO CIRCUMSTANCES, WILL EXCEED THE CONTRACT PRICE FOR THE GOODS AND/OR SERVICES FOR WHICH LIABILITY IS CLAIMED. ANY ACTION FOR BREACH OF CONTRACT BY YOU, OTHER THAN RIGHTS RESPECTING OUR LIMITED WARRANTY DESCRIBED ABOVE, MUST BE COMMENCED WITHIN 12 MONTHS AFTER THE DATE OF SALE.

Sales and Service

For information about our worldwide locations, approvals, certifications and local representative:

Web site: www.dezurik.com E-Mail: info@dezurik.com



250 Riverside Ave. N., Sartell, MN 56377 • Phone: 320-259-2000 • Fax: 320-259-2227

DeZURIK, Inc. reserves the right to incorporate our latest design and material changes without notice or obligation. Design features, materials of construction and dimensional data, as described in this manual, are provided for your information only and should not be relied upon unless confirmed in writing by DeZURIK, Inc. Certified drawings are available upon request.