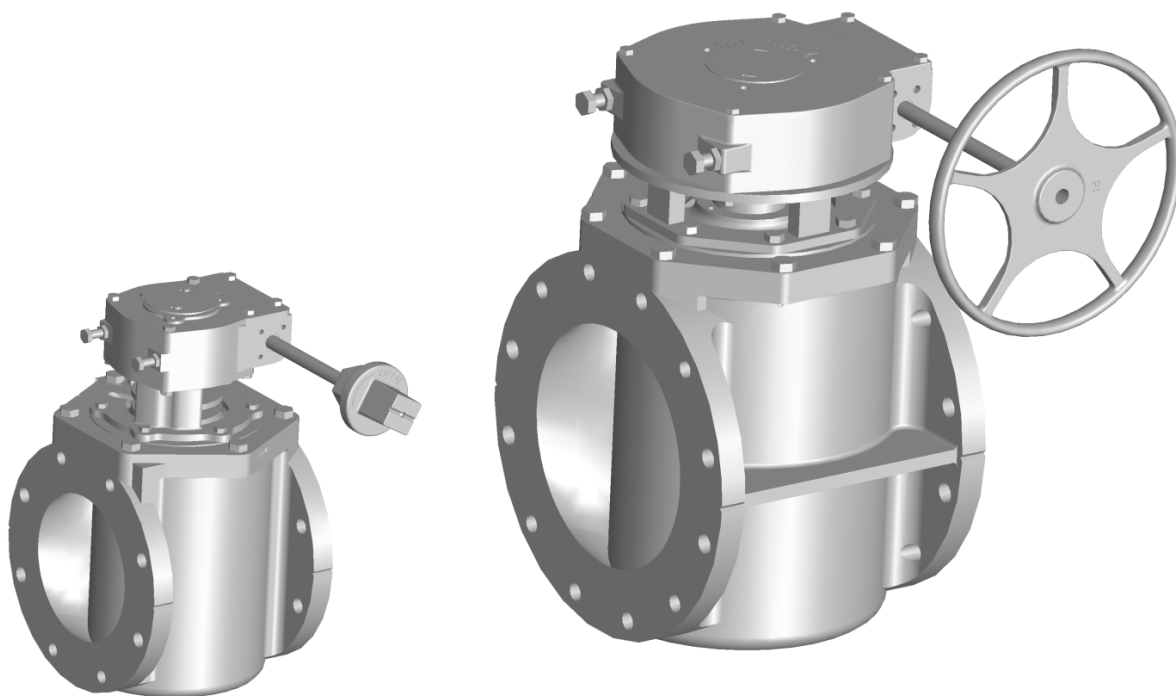


# DEZURIK 3-36" PEF 100% PORT ECCENTRIC PLUG VALVES



Instruction D10453  
February 2019

## Instructions

These instructions are for use by personnel who are responsible for the installation, operation and maintenance of DeZURIK valves, actuators or accessories.

## Safety Messages

All safety messages in the instructions are identified by a general warning sign and the signal word CAUTION, WARNING or DANGER. These messages indicate procedures to avoid injury or death.

Safety label(s) on the product indicate hazards that can cause injury or death. If a safety label becomes difficult to see or read, or if a label has been removed, please contact DeZURIK for replacement label(s).

---

### **⚠WARNING**

**Personnel involved in the installation or maintenance of valves should be constantly alert to potential emission of pipeline material and take appropriate safety precautions. Always wear suitable protection when dealing with hazardous pipeline materials. Handle valves which have been removed from service with suitable protection for any potential pipeline material in the valve.**

---

## Inspection

Your DeZURIK product has been packaged to provide protection during shipment; however, items can be damaged in transport. Carefully inspect the unit for damage upon arrival and file a claim with the carrier if damage is apparent.

## Parts

Replaceable wear parts are listed on the assembly drawing. These parts can be stocked to minimize downtime. Order parts from your local DeZURIK sales representative or directly from DeZURIK. When ordering parts please provide the following information:

**If the valve has a data plate:** please include the 7-digit part number with either 4-digit revision number (example: 9999999R000) or 8-digit serial number (example: S1900001) whichever is applicable. The data plate will be attached to the valve assembly. Also, include the part name, the assembly drawing number, the balloon number and the quantity stated on the assembly drawing.

**If there isn't any data plate visible on the valve:** please include valve model number, part name, and item number from the assembly drawing. You may contact your local DeZURIK Representative to help you identify your valve.

## DeZURIK Service

DeZURIK service personnel are available to maintain and repair all DeZURIK products. DeZURIK also offers customized training programs and consultation services. For more information, contact your local DeZURIK sales representative or visit our website at [DeZURIK.com](http://DeZURIK.com).

## Table of Contents

Description - - - - -	4
Handling - - - - -	4
Required Tools - - - - -	4
Fusion/Powder Coated Valves - - - - -	4
Installation - - - - -	5
Liquids without Suspended Solids and Clean Gases - - - - -	5
Liquids with Suspended Solids and Dirty Gases - - - - -	7
Actuator Stop Adjustments	
Closed Position - - - - -	9
Lubrication - - - - -	9
Packing - - - - -	9
Plug Journals - - - - -	10
Thrust Washers and O-rings - - - - -	10
Packing Adjustment - - - - -	10
3 – 8" Lever and Nut Operated Valves - - - - -	10
All Other Actuators - - - - -	10
Parts Identification - - - - -	11
Packing Replacement	
Replace packing with Actuator Removed - - - - -	12
Replace Packing without Removing Actuator - - - - -	14
Disassembly - - - - -	15
Reassembly - - - - -	17
Removing Valve from Pipeline - - - - -	18
Field Test - - - - -	19
Valve Exercising - - - - -	19
Emergency Operation - - - - -	19
Predict Wear of Parts - - - - -	19
Troubleshooting - - - - -	19

## Description

The 3- 36" PEF 100% Port Eccentric Plug Valves have welded nickel seats that provide excellent resistance to corrosion and damage, and prolong the life of the resilient plug facing. The valve rotates 90 degrees from full open to full closed. Clockwise rotation of the valve stem closes the valve.

If an actuator other than a DeZURIK is to be mounted, the actuator must be capable of seating and unseating the plug and maintaining the valve plug position with flow in the pipeline.



### **WARNING!**

**This valve is a pressure vessel. Failure to release pipeline pressure may result in personal injury and/or flow system damage. Completely release pipeline pressure before removing the actuator from the valve or removing the valve from the pipeline.**

---

## Handling

Lifting the valve improperly may damage it. Do not fasten lifting devices to the actuator, plug or through the seat opening in the body. Lift the valve with slings, chains or cables fastened around the valve body, or fastened to bolts or rods through bolt holes in the flanges.

## Required Tools

This valve is assembled using only metric fasteners. To service this valve, you should have a full set of combination wrenches, Allen wrenches, a large flat tipped screwdriver, a flat pry bar, a pin punch and a dead blow hammer.

**Note:** You may want to machine a shaft to aid you in removing the lower bearing from the body. See "Disassembly" section.

## Fusion/Powder Coated Valves



### **CAUTION!**

**Valves with fusion/powder coated exterior paint require flat washers to be installed under the flange nuts when installing the valve to the pipeline flange to prevent the paint from cracking or chipping.**

---

## Installation

The type of materials carried in the pipeline and the location of the valve determine the correct installation procedure.

Rust Veto may be removed with the use of Houghton Kleensol #4 or petroleum solvent.

### ***Liquids without Suspended Solids and Clean Gases***

1. Before installation, remove foreign material such as weld spatter, oil, grease, and dirt from the pipeline.
2. Prepare pipe ends and install valves in accordance with the pipe manufacture's instructions for the joint used.

**Note:** See Figure 1 for proper valve orientation.



#### **CAUTION!**

**Do not deflect the pipe-valve joint. Minimize bending stresses in the valve end connection with pipe loading.**

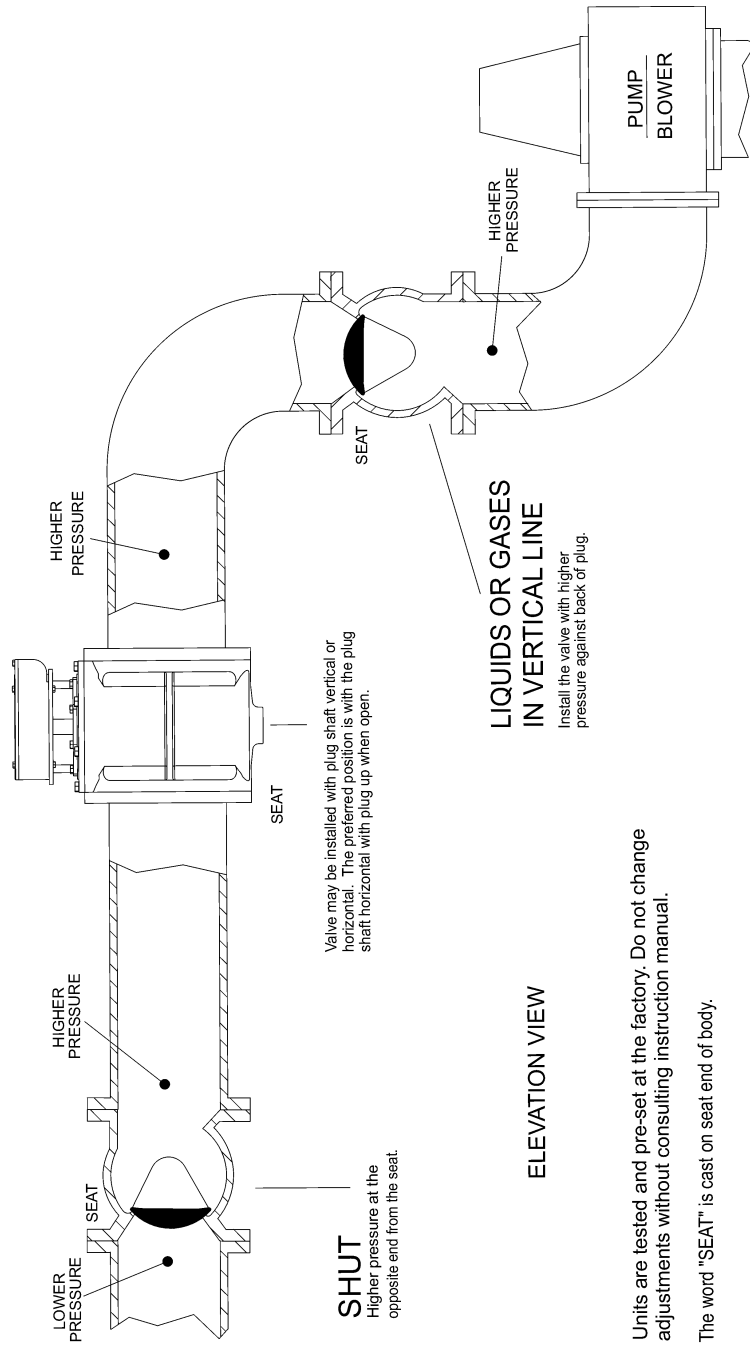
---

3. Ensure the valve and flanges are concentric to ensure proper flange sealing.
4. Tighten the flange bolts or studs in a crisscross pattern.

Installation (Continued)

INSTALLATION - Liquids without Suspended Solids and Clean Gases

The proper installation of a DeZURIK PEF 100% Eccentric Plug Valve in clean liquids & gases applications is with the higher pressure against the end opposite the seat



NOTE - 1. Units are tested and pre-set at the factory. Do not change adjustments without consulting instruction manual.

2. The word "SEAT" is cast on seat end of body.

Figure 1—Liquids without Suspended Solids and Clean Gases

**Installation** *(Continued)****Liquids with Suspended Solids and Dirty Gases***

If the pipeline carries suspended solids such as paper stock of 2 percent or higher consistency, mining slurry, or raw sewage:

1. Before installation, remove foreign material such as weld spatter, oil, grease, and dirt from the pipeline.
2. Prepare pipe ends and install valves in accordance with the pipe manufacture's instructions for the joint used.

**Note:** See Figure 2 for proper valve orientation.

- a. In HORIZONTAL pipelines, install the valve so that the plug is horizontal and rotates upward as the valve opens.
- b. For VERTICAL pipelines, install the valve with the end marked "SEAT" at top of valve.

**CAUTION!**

**Do not deflect the pipe-valve joint. Minimize bending stresses in the valve end connection with pipe loading.**

---

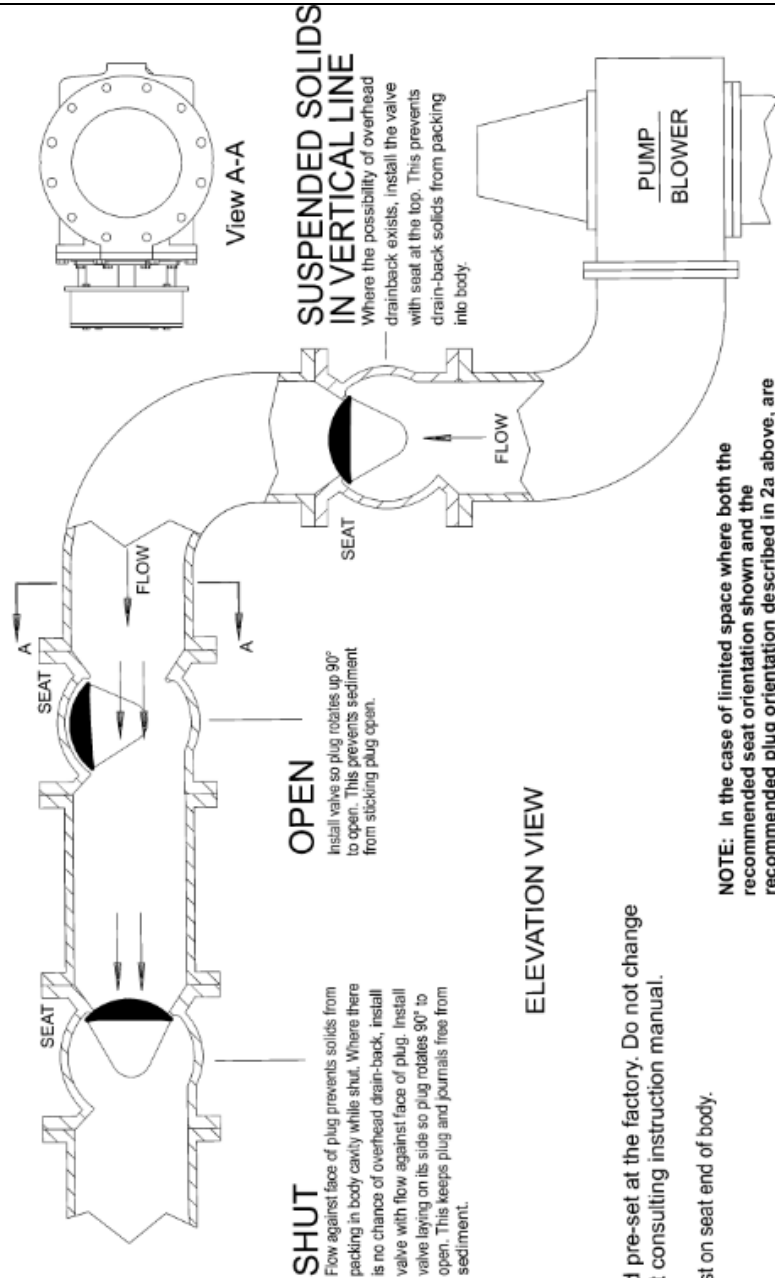
3. Ensure the valve and flanges are concentric to ensure proper flange sealing.
4. Tighten the flange bolts or studs in a crisscross pattern.

Installation (Continued)

# INSTALLATION - Liquids with Suspended Solids and Dirty Gases

The proper installation of a DeZURIK PEF 100% Eccentric Plug Valve in suspended solids applications such as mining slurries, raw sewage or paper stock of 2% or more consistency is critical to prevent solids from packing into the valve body, restricting the plug movement. This can be accomplished by

installing the valve with the flow against the face of the plug in the closed position and the valve on its side with the plug rotating to the top of the pipeline in the open position. For pump isolation service, install the valve with the seat side opposite the pump and with the plug rotating to the top of the pipeline in the open position. On the suction side, install the valve with the seat toward the pump.



NOTE - 1. Units are tested and pre-set at the factory. Do not change adjustments without consulting instruction manual.

2. The word "SEAT" is cast on seat end of body.

NOTE: In the case of limited space where both the recommended seat orientation shown and the recommended plug orientation described in 2a above, are not possible, the recommended plug position shall always take precedence.

Figure 2—Liquids with Suspended Solids and Dirty Gases



## Actuator Stop Adjustments

### ***Closed Position***

Because of the eccentric action of this valve, the closed position of the valve is dependent upon the pressure drop expected when the valve is closed. To adjust the valve closed position, follow these steps:



#### **WARNING!**

**This valve is a pressure vessel. The bonnet will blow off the valve if the bonnet bolts are removed with pressure in the valve and pipeline media can be hazardous. Completely release pressure before disassembling the valve.**

---

1. Relieve pipeline pressure.



#### **WARNING!**

**Moving parts from accidental operation of power actuator can cause personal injury or equipment damage.**

**Disconnect and lock out power to actuator before servicing.**

---

2. If the actuator is powered, disconnect and lock out the pneumatic, hydraulic, or electrical power to prevent accidental operation of the actuator.
3. Back off the actuator closed position stop as described in the Actuator Instructions.
4. Close the valve with the torque specified in the Actuator Instructions.  
**Note:** This torque is the amount required to seat the plug for a given pressure drop across the valve. To avoid excessive plug and seat wear caused by over torquing, use the actual pressure drop across the valve when determining correct closing torque.
5. After the valve has been closed using the correct amount of torque, set the actuator closed position stop to limit actuator travel at this position.

## Lubrication

This valve does not require routine maintenance lubrication, except for special application. If the valve is disassembled, lubricate the packing and the plug journals as follows:

### ***Packing***

Packing lubrication requirements are dependent upon the packing material.

- PTFE PACKING: Requires no lubrication.
- ALL PACKING OTHER THAN PTFE:  
Apply a light coat to the inside and outside diameters of the packing rings using one of these lubricants.
  - Lubriplate Clearplex-2 (**recommended**)
  - Amoco FG (alternate)
  - Mobilgrease FM 101 (alternate)
  - Petro-Canada Purity FG 2 (alternate)
  - Phillips Philube PF (alternate)

**Note:** Ensure lubricant is compatible with flow media.

**Lubrication** *(Continued)***Plug Journals**

Plug journal lubrication is dependent upon the materials used in construction of the valve.

- CAST IRON VALVES: Lubricate the journals on the plug using one of these lubricants.
  - Lubriplate Clearplex-2 (**recommended**)
  - Amoco FG (alternate)
  - Mobilgrease FM 101 (alternate)
  - Petro-Canada Purity FG 2 (alternate)
  - Phillips Philube PF (alternate)

**Note:** Ensure lubricant is compatible with flow media.

**Thrust Washers and O-rings**

Apply a light coat to all surfaces of thrust washers and O-rings using one of these lubricants.

- Lubriplate Clearplex-2 (**recommended**)
- Phillips Philube PF (alternate)
- Mobilgrease FM 101 (alternate)
- Amoco FG (alternate)

**Note:** Ensure lubricant is compatible with flow media.

**Packing Adjustment**

The stem seal tightening procedure is dependent upon the type of actuator on the valve. If a packing leak should occur, tighten the packing as follows:

**3" – 8" Lever and Nut Operated Valves**

**Table A: Actuating Torque**

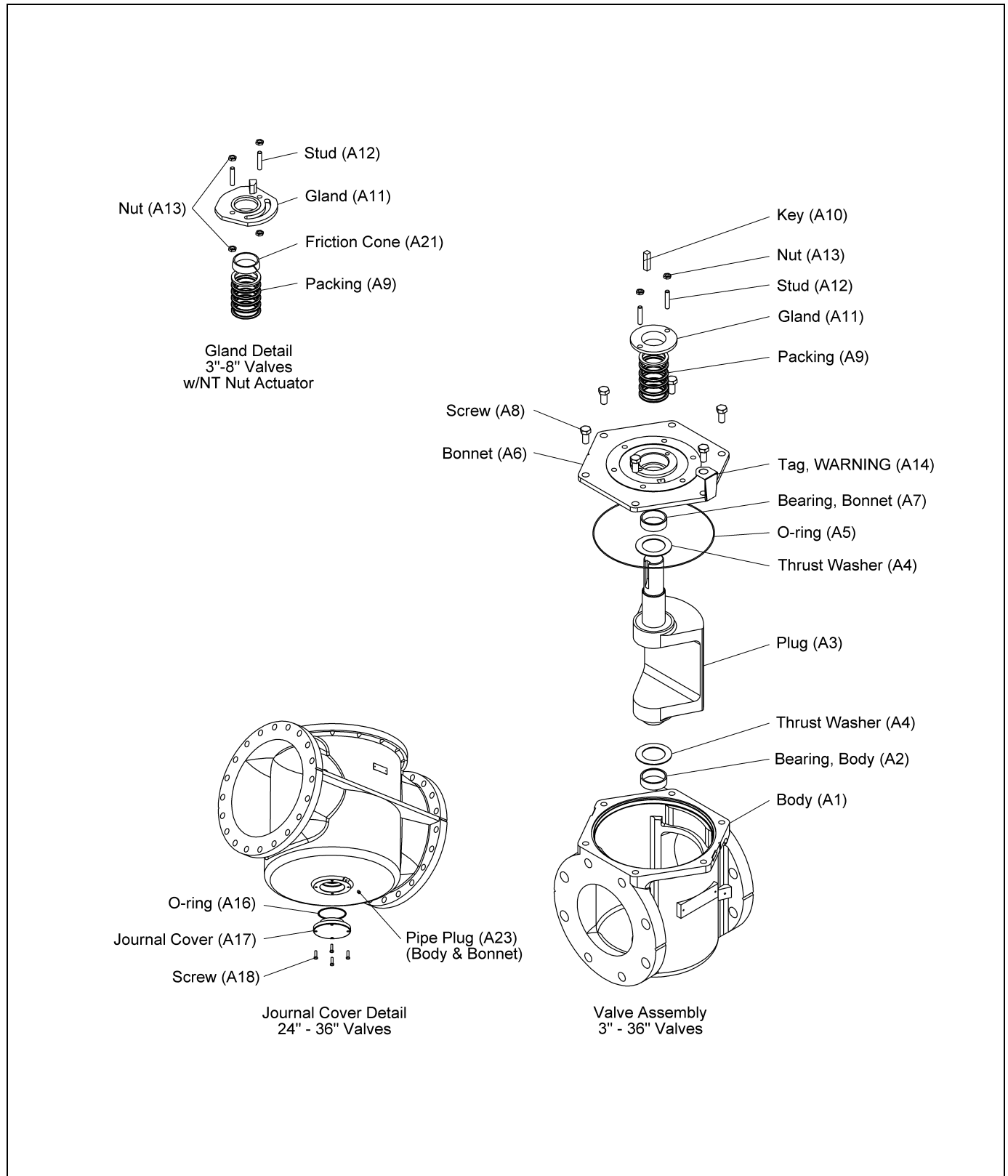
Valve Size		Actuating Torque	
		Standard Packing	
in	mm	ft lbs	Nm
3 & 4	100	28	37
5 & 6	125-150	60	81
8	200	104	141

**All Other Actuators**

Tighten the gland nuts evenly only until the leak stops.

**Note:** Do not continue tightening after leak stops. If packing leak cannot be stopped by tightening the gland nuts, the packing must be replaced.

**3-36" PEF 100% Port Eccentric Plug Valves**



**Figure 3—Parts Identification**

## Packing Replacement

### **Replacing Packing with Actuator Removed**

To replace the packing without removing actuator, see the “Replacing Packing Without Removing Actuator” section.

See Figure 3 for parts identification.

1. Discontinue pipeline flow and relieve pipeline pressure.
2. Scribe the actuator and valve bonnet for alignment when reassembling.



**WARNING!**

**Moving parts from accidental operation of power actuator can cause personal injury or equipment damage. Disconnect and lock out power to actuator before servicing.**

---

3. If the actuator is powered, disconnect and lock out the pneumatic, hydraulic, or electrical power to prevent accidental operation of the actuator.

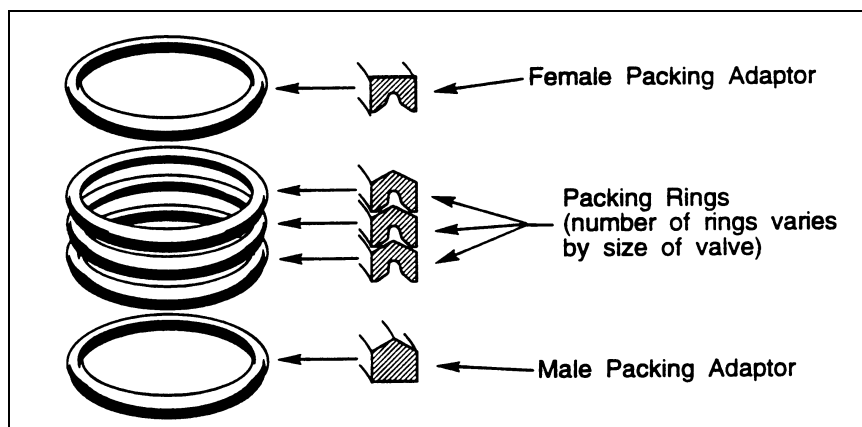


**WARNING!**

**When an eccentric valve is mounted in a vertical pipeline—or mounted in a horizontal pipeline with the plug stem horizontal—gravity can cause the plug to swing to a lower position in the valve body when the actuator is removed. Place the plug in the lowest position before removing the actuator.**

---

4. Remove the actuator from the valve. See Actuator Instructions.
5. Remove the actuator adaptor from the valve.
6. Remove the gland nuts (A13), then slide the gland (A11) off the plug shaft (A3).
7. Pull the packing (A9) out of the bonnet (A6).
8. For valves with gear actuators, lubricate the new packing (A9), then install it one ring at a time in the sequence shown in Figure 4.

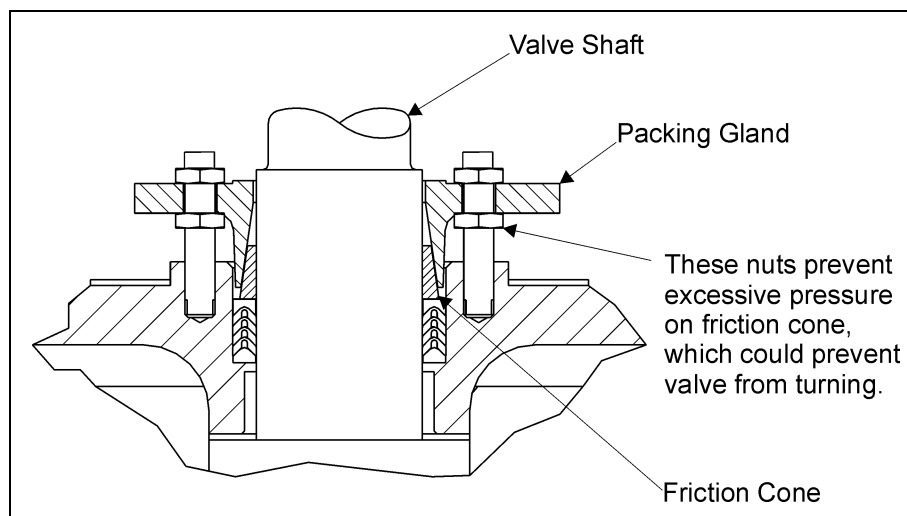


**Figure 4 - Correct Packing Installation Sequence**

**Packing Replacement** *(Continued)*

**Note:** 3 - 8" lever and nut operated valves have a friction cone (A21) and standard packing (A9). Before installing the gland (A11), set the friction cone on top of the packing. Do not lubricate the outside of the friction cone or the inside of the gland. See Figure 5.

9. Slide the gland (A11) down the plug shaft (A3) and over the studs (A12). If the valve has a friction cone (A21), bring the gland nuts (A13) under the gland up finger tight.



**Figure 5—Friction Cone Adjustment**

10. Adjust gland nuts (A13).

3 - 8" LEVER AND NUT OPERATED VALVES ONLY:

Turn gland nuts (A13) onto the studs (A12) until they touch the gland (A11).

**Note:** This is a preliminary adjustment, it will be necessary to adjust the gland nuts (A13) after the valve is pressurized. See "Packing Adjustment" section.

11. Fasten the adaptor (when used) to the valve, lining up the scribe marks made during disassembly.
12. Install the actuator as described in the Actuator Instructions.
13. If the actuator is a powered actuator, reconnect power to the actuator.

## Packing Replacement *(Continued)*

### **Replacing Packing Without Removing Actuator**

**Note:** Lever and nut operated valves require that the actuator be removed before packing can be replaced. See “*Replacing Packing with Actuator Removed*” section to replace the packing in these valves.

1. This process can be done with or without pressure in the pipeline.



**WARNING!**

**Caustic, toxic, or hot material in the pipeline can cause personal injury or death if leakage occurs. Confirm that the material is not harmful.**

---

2. Ensure that the material in the pipeline will not cause injury if leakage occurs.
3. Remove the gland nuts (A13) from the studs (A12), and slide the gland (A11) up the stem of the plug (A3).
4. Remove the studs (A12) from the bonnet (A6).
5. Cut and completely remove all of the old packing (A9) from the packing chamber in the bonnet (A6).
6. Cut each new packing ring (A9) radially in one place with a razor-sharp knife.
7. Place each new packing ring (A9)—one at a time with the joints staggered—around the plug stem (A3) and into position in the packing chamber.
8. Replace the studs (A12) in the bonnet (A6).
9. Push the packing rings (A9) down into position with the gland (A11), and replace the gland nuts (A13) on the studs (A12).
10. Turn the gland nuts (A13) onto the studs (A12) until they touch the gland (A11), then one more turn.
11. Restore the pipeline pressure if it was relieved, and check for packing leakage. If leakage occurs, tighten each packing nut just enough to stop the leakage. Excessive tightening will cause reduced packing life and higher valve operating torque.

## Disassembly

See Figure 3 for parts identification.

**WARNING!**

**This valve is a pressure vessel. The bonnet will blow off the valve if the bonnet bolts are removed with pressure in the valve and pipeline media can be hazardous. Completely release pressure before disassembling the valve.**

---

Follow these steps to disassemble valve:

1. Relieve pipeline pressure and close the valve.

**WARNING!**

**Moving parts from accidental operation of power actuator can cause personal injury or equipment damage.**

**Disconnect and lock out power to actuator before servicing.**

---

2. If the actuator is powered, disconnect and lock out the pneumatic, hydraulic, or electrical power to prevent accidental operation of the actuator.
3. Close the valve.
4. Remove the valve from the pipeline (if desired).

**Note:** The valve can be disassembled while still in the pipeline. To remove valve from pipeline, see “Removing Valve from Pipeline” section.

---

**WARNING!**

**When an eccentric valve is mounted in a vertical pipeline—or mounted in a horizontal pipeline with the plug stem horizontal—gravity can cause the plug to swing to a lower position in the valve body when the actuator is removed.**

**Place the plug in the lowest position before removing the actuator.**

---

5. Remove actuator from valve—see Actuator Instructions.
6. Scribe a line on the body (A1), bonnet (A6) and plug stem (A3) to help align these parts during reassembly.
7. Remove the screws (A8) that hold the bonnet (A6) in place, then pry the bonnet loose from the body (A1).

**Note:** Note the location of **WARNING TAG** (A14) on bonnet (A6) and do not misplace tag. This tag must be attached to the valve at reassembly.

8. Remove the plug (A3) from the body (A1).
9. Remove the gland nuts (A13) and gland (A11) from the bonnet (A6).
10. Remove the packing (A9) from the bonnet (A6).

**Disassembly** *(Continued)*

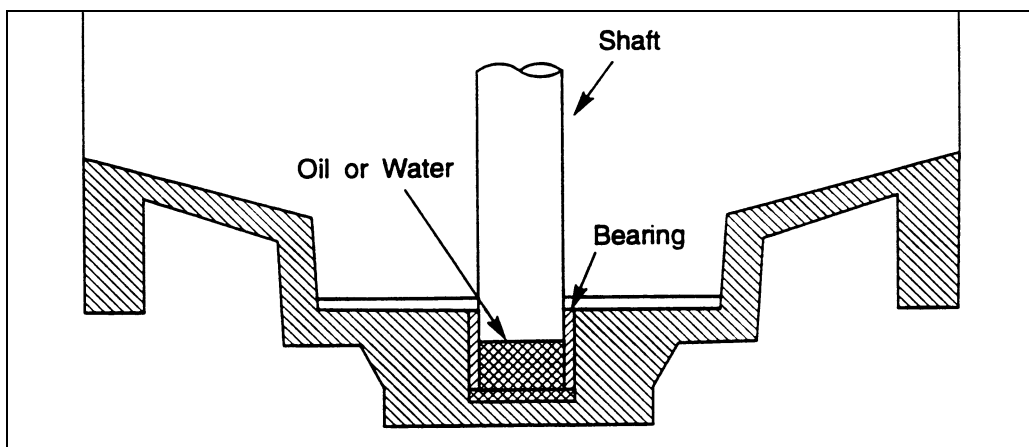
11. Reaching through the packing chamber in the bonnet (A6), drive the bearing (A7) out of the bonnet using a hammer and pin punch.
12. Remove the bearing (A2) from the body (A1).

For **3" - 20" valves**, the bearing (A2) can be chiseled out; or, it can be hydraulically forced out. See Figure 6.

For **24" - 36" valves**, the bearing (A2) can be driven out of the body (A1) using a hammer and pin punch. First remove the screws (A18) and journal cover (A17) from the body. Remove the old o-ring (16) from the journal cover.

To hydraulically force the bearing (A2) out of 3" - 20" valve body:

1. Fill the interior diameter of the bearing (A2) with water.
2. Pound a shaft with the same outside diameter as the lower journal of the valve plug into the bearing (A2).



**Figure 6—Hydraulically Removing the Lower Bearing in the Valve Body**



## Reassembly

See Figure 3 for parts identification.

1. Push a new bearing (A2) into the body (A1), then lubricate the bearing as described in the "Lubrication" section.
2. For **24" - 36" valves**, place a new o-ring (A16) in the groove of the journal cover (A17). Fasten the journal cover to the body (A1) with screws (A18).
3. Place a Teflon thrust washer (A4) on the top and bottom shoulder of the plug shaft (A3).
4. Place the plug (A3) into the body (A1) so the lower journal slides into the bearing (A2). Turn the plug so it is almost closed.
5. If necessary, push a new bearing (A7) into the bonnet (A6), then lubricate the bearing. See "Lubrication" section.
6. For **3" - 20" valves**, place an o-ring (A5) in the bonnet (A6).

For **24" - 36" valves**, place an o-ring (A5) into the o-ring groove of the body (A1).

7. Place bonnet (A6) on body (A1), align witness marks, then fasten bonnet in place with screws (A8).



### **WARNING!**

**This valve is a pressure vessel and has been supplied with a WARNING TAG from the factory.**

**Secure WARNING TAG (A14) to bonnet (A6) with one of the bonnet screws (A8) at the location noted during disassembly.**

---

8. Turn the plug (A3) to the closed position. See "Actuator Stop Adjustments" section.
9. For valves with low friction packing, lubricate the new packing (A9), then install it one ring at a time. See Figure 4.

**Note:** 3 - 8" valves use a friction cone (A21) with a wrenching nut or hand lever actuator, and standard packing. Before installing the gland (A11), set the friction cone on top of the packing (A9). Do not lubricate the outside of the friction cone or the inside of the gland. (See Figure 5.)

10. Slide the gland (A11) down the plug shaft (A3) and over the studs (A12). If the valve has a friction cone (A21), bring the gland nuts (A13) under the gland up finger tight.
11. Adjust gland nuts (A13).

**3 - 8" LEVER AND NUT OPERATED VALVES ONLY:**

Turn packing gland nuts (A13) onto the studs (A12) until they contact the gland (A11). It will be necessary to adjust the gland nuts after the valve is pressurized; see the "Packing Adjustment" section.

**Note:** This is a preliminary adjustment, it will be necessary to adjust the gland nuts (A13) after the valve is pressurized. See "Packing Adjustment" section.

**Reassembly** *(Continued)*

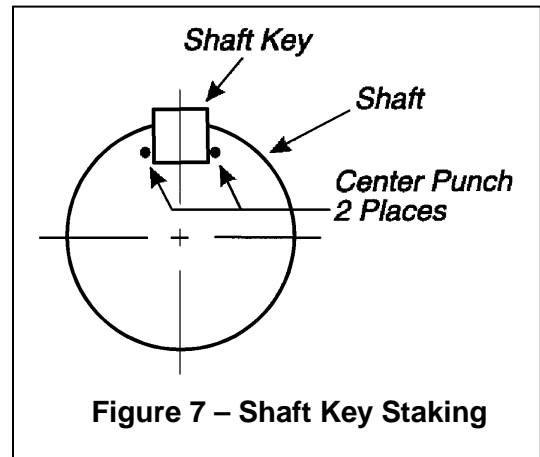
12. Install the actuator—see Actuator Instructions.
13. After actuator is mounted, and shaft key is assembled in keyseat, secure shaft key by staking with a center-punch on the end of the shaft. Stake on both sides of the shaft as shown in Figure 7.

**Note:** Do not deform the outside diameter of the shaft.

14. After pipeline flow is restored, check the packing for leakage.

**Note:** If packing leaks, tighten the gland nuts (A13) only enough to stop the leak. Over tightening the packing will cause premature packing failure and higher valve operating torque.

15. If the actuator is a powered actuator, reconnect power to the actuator.



**Figure 7 – Shaft Key Staking**

**Removing Valve from Pipeline**

To remove the entire valve assembly from the pipeline, follow these steps.

**WARNING!**

**This valve is a pressure vessel. The bonnet will blow off the valve if the bonnet bolts are removed with pressure in the valve and pipeline media can be hazardous.**

**Completely release pressure before disassembling the valve.**

1. Relieve pipeline pressure and drain portion of system where valve is located.
2. Close the valve.

**WARNING!**

**Moving parts from accidental operation of power actuator can cause personal injury or equipment damage. Disconnect and lock out power to actuator before servicing.**

3. If the actuator is powered, disconnect and lock out the pneumatic, hydraulic, or electrical power to prevent accidental operation of the actuator.
4. Support the valve assembly, then remove the flange bolts.
5. Remove the valve from the pipeline.

## Field Test

Stroke the valve between the fully open and fully closed positions to verify that the valve and actuator are functioning properly. Prior to any field pressure test above the valve design pressure, contact DeZURIK.



### **WARNING!**

**Test pressures above valve design pressure can cause leakage, permanent or structural failure to the valve and personal injury.**

## Valve Exercising

Each valve should be operated through a full cycle and returned to its normal operating position on a time schedule that is designed to prevent a buildup of media deposits that could render the valve inoperable or prevent a tight shutoff.

The interval of time between exercising valves in critical applications or valves subjected to severe operating conditions, should be shorter than valves in less critical installations. The time period for valve exercising should be based on local experience.

## Emergency Operation

Operate the valve as under normal conditions, taking care to bring the plug to the position required by the particular emergency condition.

## Predicted Wear of Parts

Length of service for parts subject to wear is dependent on service conditions.

## Troubleshooting

Symptom	Possible Cause	Corrective Action
Packing Leaks.	Packing is loose.	Adjust Packing. (See " <i>Packing Adjustment</i> " section.)
	Packing is worn.	Replace Packing. (See " <i>Packing Replacement</i> " section.)
Valve does not close.	Object is wedged between plug and seat.	Open the valve completely to flush object. If this doesn't work, remove valve from the pipeline or drop one section of adjacent pipe. (See " <i>Removing Valve from Pipeline</i> " section.)
	Actuator closed position is out of adjustment.	Adjust the closed position stop as described in the Actuator instructions.
Valve leaks when closed	Plug is worn or damaged.	Replace plug. (See " <i>Disassembly</i> " section.)
	Rubber on plug is torn.	

## Limited Warranty

DeZURIK, Inc. ("Seller") manufactured products, auxiliaries and parts for a period of twenty-four (24) months from date of shipment from Seller's factory, are warranted to the original purchaser only against defective workmanship and material, but only if properly stored, installed, operated, and serviced in accordance with Seller's recommendations and instructions.

For items proven to be defective within the warranty period, your exclusive remedy under this limited warranty is repair or replacement of the defective item, at Seller's option, FCA Incoterms 2020 Seller's facility with removal, transportation, and installation at your cost.

Products or parts manufactured by others but furnished by Seller are not covered by this limited warranty. Seller will provide repair or replacement for other's products or parts only to the extent provided in and honored by the original manufacturer's warranty to Seller, in each case subject to the limitations contained in the original manufacturer's warranty.

No claim for transportation, labor, or special or consequential damages or any other loss, cost or damage is being provided in this limited warranty. You shall be solely responsible for determining suitability for use and in no event shall Seller be liable in this respect.

This limited warranty does not warrant that any Seller product or part is resistant to corrosion, erosion, abrasion or other sources of failure, nor does Seller warrant a minimum length of service.

Your failure to give written notice to us of any alleged defect under this warranty within twenty (20) days of its discovery, or attempts by someone other than Seller or its authorized representatives to remedy the alleged defects therein, or failure to return product or parts for repair or replacement as herein provided, or failure to store, install, or operate said products and parts according to the recommendations and instructions furnished by Seller shall be a waiver by you of all rights under this limited warranty.

This limited warranty is voided by any misuse, modification, abuse or alteration of Seller's product, accident, fire, flood or other Act of God, or your failure to pay entire contract price when due.

The foregoing limited warranty shall be null and void if, after shipment from our factory, the item is modified in any way or a component of another manufacturer, such as but not limited to, an actuator is attached to the item by anyone other than a Seller factory authorized service personnel.

All orders accepted shall be deemed accepted subject to this limited warranty, which shall be exclusive of any other or previous Warranty, and this shall be the only effective guarantee or warranty binding on Seller, despite anything to the contrary contained in the purchase order or represented by any agent or employee of Seller in writing or otherwise, notwithstanding, including but not limited to implied warranties.

THE FOREGOING REPAIR AND REPLACEMENT LIMITED WARRANTY IS IN LIEU OF ALL OTHER WARRANTIES, OBLIGATIONS AND LIABILITIES, INCLUDING ALL WARRANTIES OF FITNESS FOR A PARTICULAR PURPOSE OR OF MERCHANTABILITY OR OTHERWISE, EXPRESSED OR IMPLIED IN FACT OR BY LAW, AND STATE SELLER'S ENTIRE AND EXCLUSIVE LIABILITY AND YOUR EXCLUSIVE REMEDY FOR ANY CLAIM IN CONNECTION WITH THE SALE AND FURNISHING OF SERVICES, GOODS OR PARTS, THEIR DESIGN, SUITABILITY FOR USE, INSTALLATION OR OPERATIONS.

## Disclaimer

Metric fasteners should not be used with ASME Class 150/300 bolt holes and flange bolt patterns. If you use metric fasteners with ASME Class 150/300 bolt holes and flange bolt patterns, it may lead to product failure, injury, and loss of life. DeZURIK Inc. disclaims all liability associated with the use of metric fasteners with ASME Class 150/300 bolt holes and flange patterns, including but not limited to personal injury, loss of life, loss of product, production time, equipment, property damage, lost profits, consequential damages of any kind and environment damage and/or cleanup. Use of metric fasteners with ASME Class 150/300 bolt holes and flange bolt patterns is a misuse that voids all warranties and contractual assurances. If you use metric fasteners with ASME Class 150/300 bolt holes and flange bolt patterns, you do so at your sole risk and any liability associated with such use shall not be the responsibility of DeZURIK, Inc. In addition to the foregoing, DeZURIK's Manufacturer's Conditions apply.

## Limitation of Liability

IN NO EVENT SHALL SELLER BE LIABLE FOR ANY DIRECT, INDIRECT, SPECIAL, PUNITIVE, OR CONSEQUENTIAL DAMAGES WHATSOEVER, AND SELLER'S LIABILITY, UNDER NO CIRCUMSTANCES, WILL EXCEED THE CONTRACT PRICE FOR THE GOODS AND/OR SERVICES FOR WHICH LIABILITY IS CLAIMED. ANY ACTION FOR BREACH OF CONTRACT BY YOU, OTHER THAN RIGHTS RESPECTING OUR LIMITED WARRANTY DESCRIBED ABOVE, MUST BE COMMENCED WITHIN 12 MONTHS AFTER THE DATE OF SALE.

## Sales and Service

For information about our worldwide locations, approvals, certifications and local representative:

Web site: [www.dezurik.com](http://www.dezurik.com) E-Mail: [info@dezurik.com](mailto:info@dezurik.com)



250 Riverside Ave. N., Sartell, MN 56377 • Phone: 320-259-2000 • Fax: 320-259-2227

*DeZURIK, Inc. reserves the right to incorporate our latest design and material changes without notice or obligation. Design features, materials of construction and dimensional data, as described in this manual, are provided for your information only and should not be relied upon unless confirmed in writing by DeZURIK, Inc. Certified drawings are available upon request.*