



## DeZURIK Bi-Directional Knife Gate Valves For Wet Gas Scrubber Applications

**Application market:** Petroleum Refining

**Unit application:** Wet gas scrubber systems associated with flue gas discharge from FCCU, CCR, Platformer and Reformer units.

**Valve applications within the units:** Quench, spray and recirculation water isolation valves. Purge treatment unit and clarifier isolation and drains.

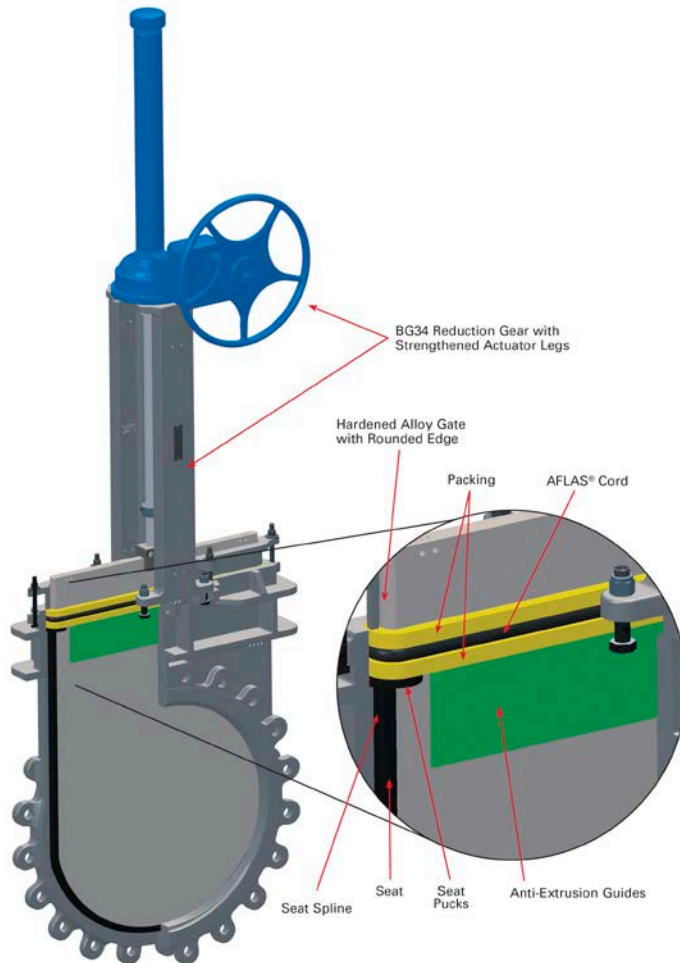
**DeZURIK Valve Model:** KGC-BD with Hardened gate treatment, AFLAS (live loaded) packing system. Bevel gear with lock out device.

Materials of construction options include:

**BODY:** 304 Stainless Steel, 316 Stainless Steel, 317 Stainless Steel, 254-SMO Stainless Steel, 2205 Duplex Stainless Steel, Hastelloy C

**GATE:** 304 Stainless Steel, 316 Stainless Steel, 317 Stainless Steel, 17-4 Stainless Steel, 254-SMO Stainless Steel, 410 Stainless Steel, 2205 Duplex Stainless Steel, Hastelloy C

## DeZURIK Advantages in Wet Gas Scrubber Applications



- 1) BG34 reduction gear reduces operator effort for ease of manual valve cycling.
- 2) Hardened gate treatment reduces erosion from entrained, circulating spent catalyst fines.
- 3) Heavy duty gate with full reverse flow capability.
- 4) AFLAS live loaded packing system reduces gate and packing gland leakage over multiple cycles.
- 5) Patented perimeter seal.
- 6) Alloy body and gate for corrosion resistance (multiple alloy options).
- 7) EPDM alloy reinforced seat for hydrocarbon resistance.
- 8) Machined, rounded packing chamber for enhanced gate seal.
- 9) Rounded gate edge for enhanced gate seal.
- 10) Anti-extrusion guides.
- 11) Integrated open & closed mechanical "Lock-out / Tag-out" devices.
- 12) Optional proximity switches and/or mounting locations.
- 13) Replaceable seat seal.
- 14) Pneumatic and electric automation options.

### Ordering Example:

KGC,24,BD,F1,S2,ASP,S2-EPDM\*MNB-HD16-CS\*YYY084

**Includes:** BG34 Bevel Gear, hardened gate and strengthened actuator legs

