

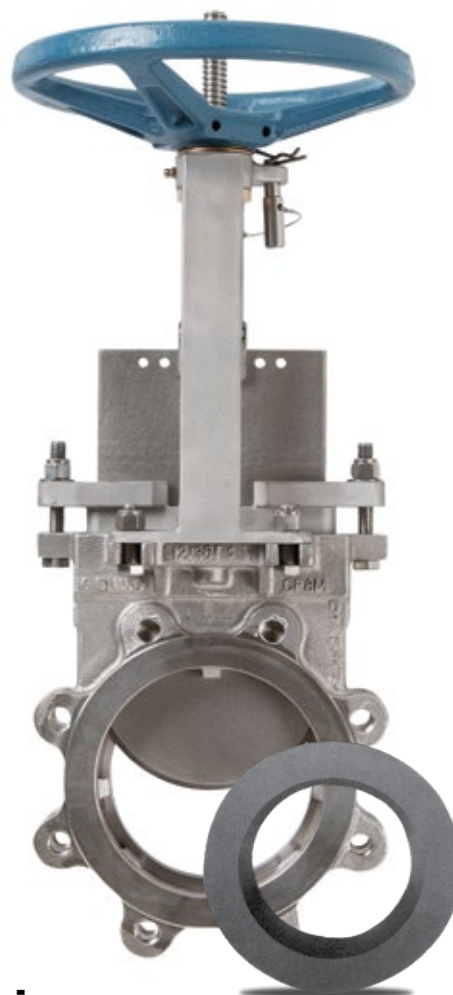


DEFLECTION CONES FOR DeZURIK KNIFE GATE VALVES

DeZURIK Knife Gate Valves are specifically designed for tough abrasive and/or corrosive services. To prolong valve life in especially demanding services, Deflection Cones can be used to protect valve seats and internals from wear. Deflection Cones are mounted between the upstream valve flange and the adjoining piping, and can be used on either metal or resilient seated knife gate valves.

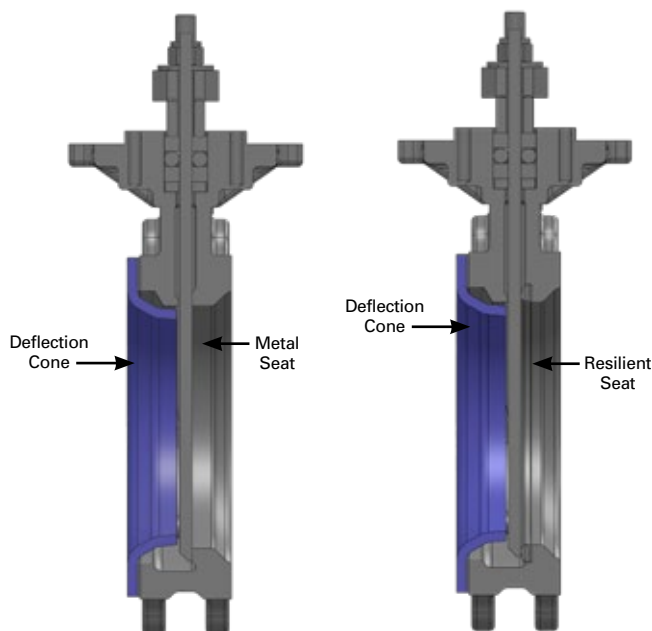
Deflection Cones are available in Urethane for general services; 316 stainless steel for corrosion resistance; and Cast Iron with a minimum Brinell Hardness of 400 BHN for abrasion resistance.

DeZURIK Deflection Cones can be used on KGC-ES, KGC-HD, and KGC-MD. They can also be used on DeZURIK legacy KGS and KGL Knife Gate Valves. Deflections Cones can be used with all end connections except JIS.



**Metal Seated
KGC Knife Gate Valve**

**Resilient Seated
KGC Knife Gate Valve**

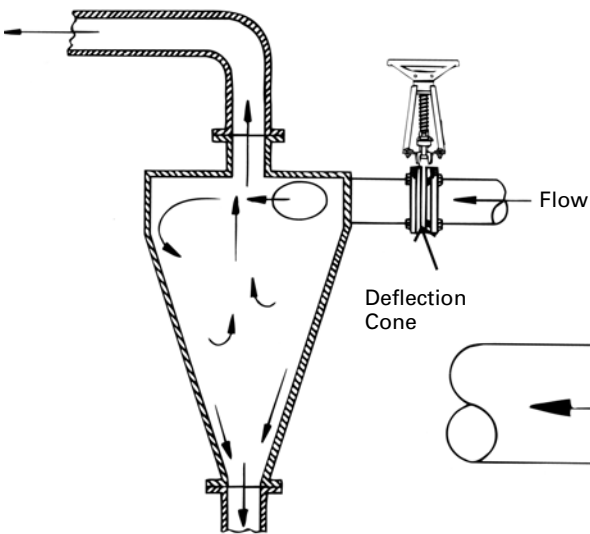


Ordering

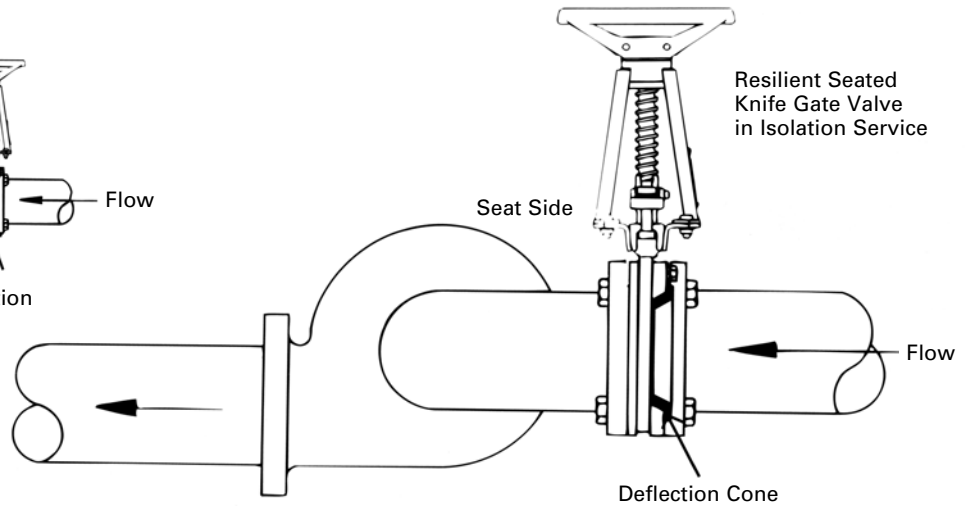
Deflection cones should be ordered as a separate item. To order for valves with 150 psi CWP Working Pressure (1030 kPa) select the order code from the tables below followed by a dash and valve size. To order for 36" (900mm) valves for 100 psi (690 kPa) CWP Working pressure, add the code P100 then a dash and valve size.

Order Code	Material
ACC*DCS23	316 Stainless Steel, ASTM A351
ACC*DCNH23	Abrasion Resistant Cast Iron, ASTM A532, minimum Brinell Hardness 400 BHN
ACC*DCU	Urethane, Polyether, Black; -20 to 175°F (-29 to 80°C)

Cyclone Isolation Valves



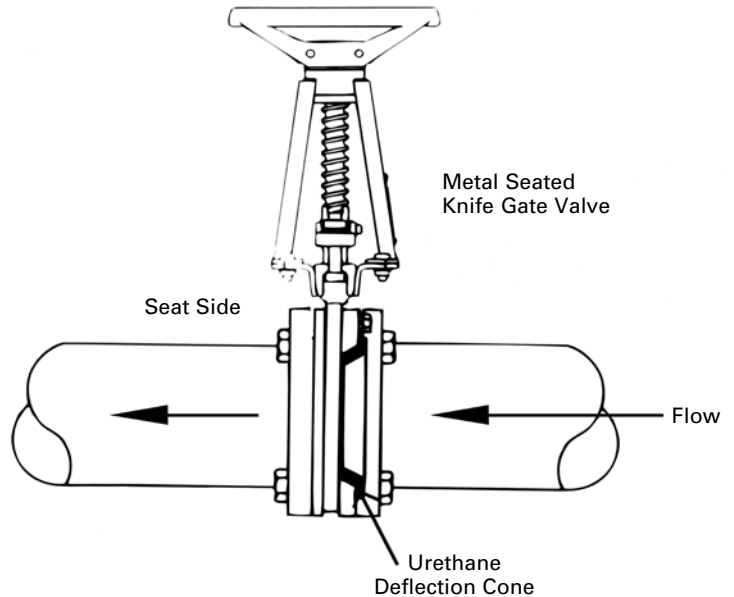
Pump Suction Valve



Air Conveyed (Dry) Ash & Fluid Handling

Installation Note:

DeZURIK KGC Knife Gate Valves adhere to the current revision of the MSS SP-81 standard for design, which includes face-to-face dimensions. The deflection cone and additional gasket will change the overall installation face-to-face dimensions of these knife gate valves. Refer to DeZURIK's Deflection Cone installation drawing for deflection cone dimensions.



Sales and Service

For information about our worldwide locations, approvals, certifications and local representative:

Web Site: www.dezurik.com E-Mail: info@dezurik.com



250 Riverside Ave. N. Sartell, Minnesota 56377 • Phone: 320-259-2000 • Fax: 320-259-2227

DeZURIK, Inc. reserves the right to incorporate our latest design and material changes without notice or obligation. Design features, materials of construction and dimensional data, as described in this bulletin, are provided for your information only and should not be relied upon unless confirmed in writing by DeZURIK, Inc. Certified drawings are available upon request.