

KGC-MC METAL CUTTING CAST STAINLESS STEEL KNIFE GATE VALVES





Design and Construction

DeZURIK KGC-MC Metal Cutting Cast Stainless Steel Knife Gate Valves are designed to provide long service life in applications requiring shearing capabilities like those found in Pulp and Paper Recycle and Rejects Cyclone applications.

The KGC-MC valve is designed to cut the media flow with no jamming problems. To withstand the high loads necessary to shear wires, staples or glass, the valves have a replaceable, serrated seat constructed of 410 Stainless Steel. The seat ring's teeth and teeth arrangement are designed to prevent bunching or clogging while cutting through heavy trash such as metal, plastics, glass and shards.

The KGC-MC Knife Gate Valves are available in 3-24" (80-600mm) sizes with one-piece cast stainless steel bodies. Numerous features combine to provide a longer service life, less downtime and less maintenance than other valves currently used for these tough applications.

- Valves can be either metal or dual metal-and-resilient seated.
- Gates of Hardened 410 Stainless Steel or heat-treated 17-4 Stainless Steel have a shearing beveled edge to cut cleanly through media.
- High-performance packing system with wire scraper rings extends service life.
- Copper scraper rings act to guide the gate through the packing chamber, critical in high cycle and shearing applications.
- Oversized gate guides provide support for the moving gate through the full stroke, minimizing any chance of deflection.
- Heavy-duty superstructure withstands high cycle rates and vibration.
- Optional purge ports available in the seat and chest prevent process buildup.

Serrated Seat Ring & Shearing Gate Tip Prevent Media Jamming

The serrated seat ring, shearing beveled gate edge and cast guides and jams work together to prevent media from becoming trapped or jamming. Wires, staples, glass or plastic are cleanly cut, crushed and cleared from the seating area.

Guided Shear Gate Design Assures Positive Shutoff

The body features cast oversized gate guides to provide support for the moving gate through the full stroke from open to closed, minimizing any chance of gate deflection. The gate guides are 150% larger than standard and strategically positioned to provide greater support to the gate during the cutting process. Cast gate jams at the bottom of the body hold the gate securely against the seat to assure positive shutoff.

Rugged, Heavy-Duty Cast Body

The cast body and packing gland are available in 316 or 317 Stainless Steel with ASME Class 150 flanges. The body has raised face end connections with drilled and tapped lugs. Purges in the chest and seat area are an available option to prevent process media buildup.



Replaceable, Wear Resistant Metal or Resilient Seat

Both metal and dual metal-and-resilient seated valves are available in 410 Stainless Steel with Chloroprene (CR), Acrylonitrile-Butadiene (NBR), Terpolymer of Ethylene, Propylene and a Diene (EPDM), Fluoro Rubber (FKM), and Chloroprene, off white (CRW). Metal seated valves meet MSS SP-81. Dual metal-and-resilient seated valves provide leak tight/drip tight shutoff. The seat ring mechanically retains the resilient seat to prevent it from becoming dislodged. The seat ring is removable, replaceable and rotateable.

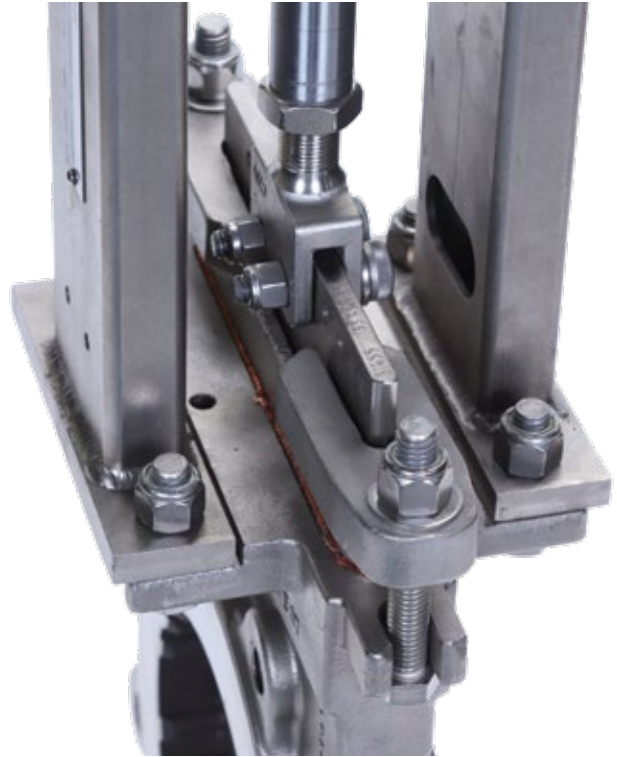


Heavy-Duty Stem/Gate Clip

A strong, investment cast gate clip complements KGC-MC's robust construction. Gate clip and gate are drilled to match the shoulder screw diameter to provide a heavy-duty connection needed for high cycle applications.

DeZURIK Exclusive Rounded Gate Edges

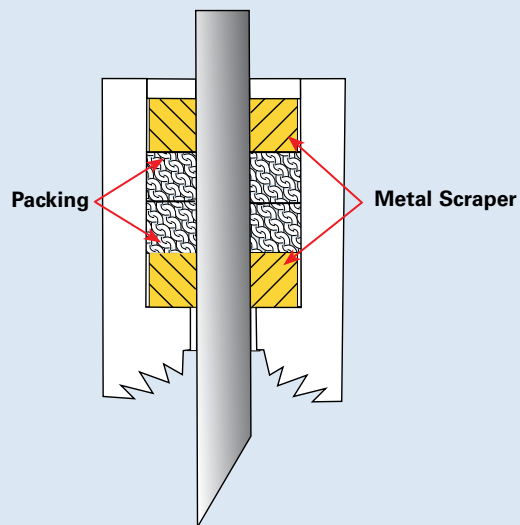
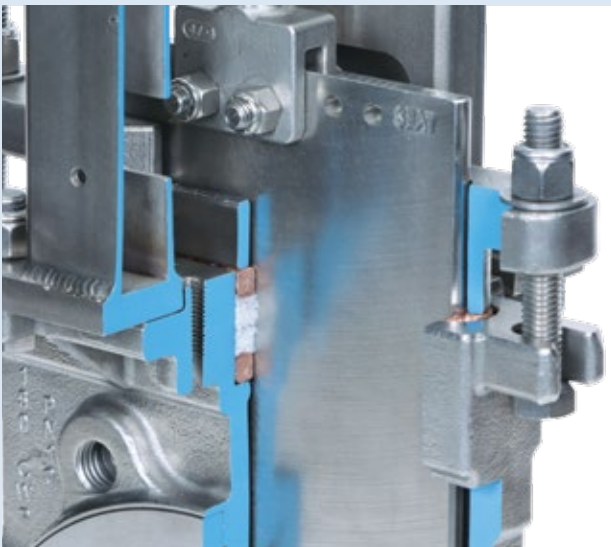
The KGC valves all have a gate with a rounded gate edge that is precision machined with a ground finish on both sides and edges. The rounded gate edge moves smoothly through the packing with minimal packing disturbance, thus requiring less adjustment and maintenance of the packing system.



DeZURIK Exclusive Premium Packing System

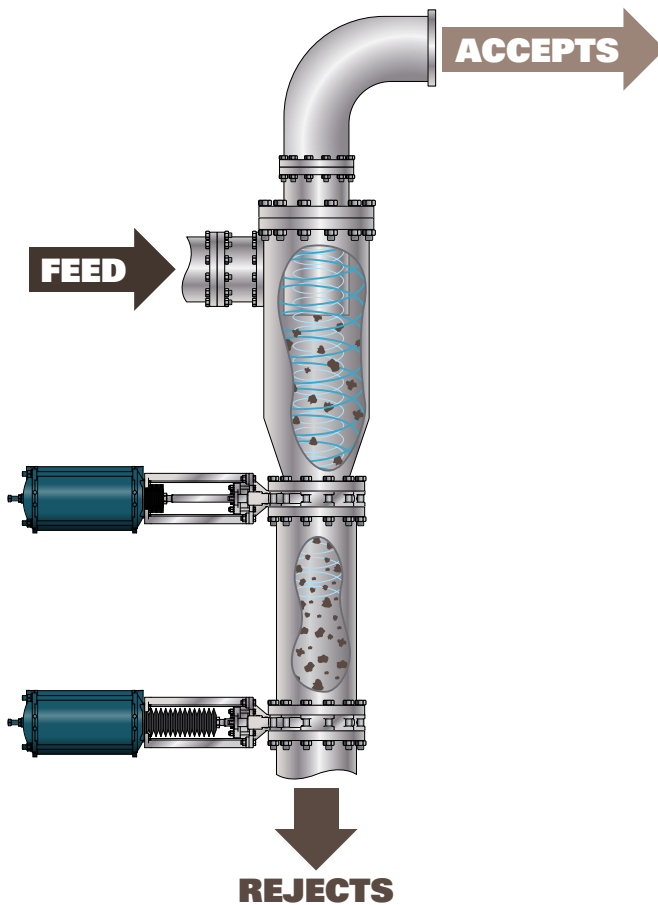
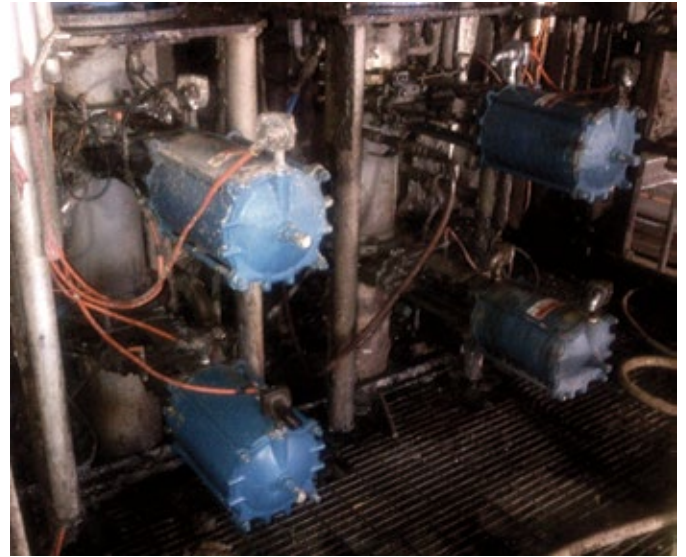
The KGC-MC valve has the DeZURIK Exclusive Premium Packing System that includes a fully-machined rounded cast packing chamber, rounded gate edge, and PTFE braided packing with top and bottom copper wire scraper rings to wipe the gate and prevent process media from entering the packing chamber. The copper scraper rings act to guide the gate through the packing chamber, critical in high cycle and shearing applications. This proven packing system includes features that:

- Extend service life
- Require fewer packing adjustments
- Reduce external leakage
- Ensure alignment of the gate
- Minimize friction and actuator thrust required
- Allow field replacement of packing



Demonstrated Reliability in HD Cleaner Applications

DeZURIK KGC Knife Gate Valves are proven performers in Recycle Paper High Density Cyclone Cleaners. The KGC-MC valve is ideally suited for recycle applications that require shearing of media containing heavy trash, solids, nails, wire, staples, plastic or glass.

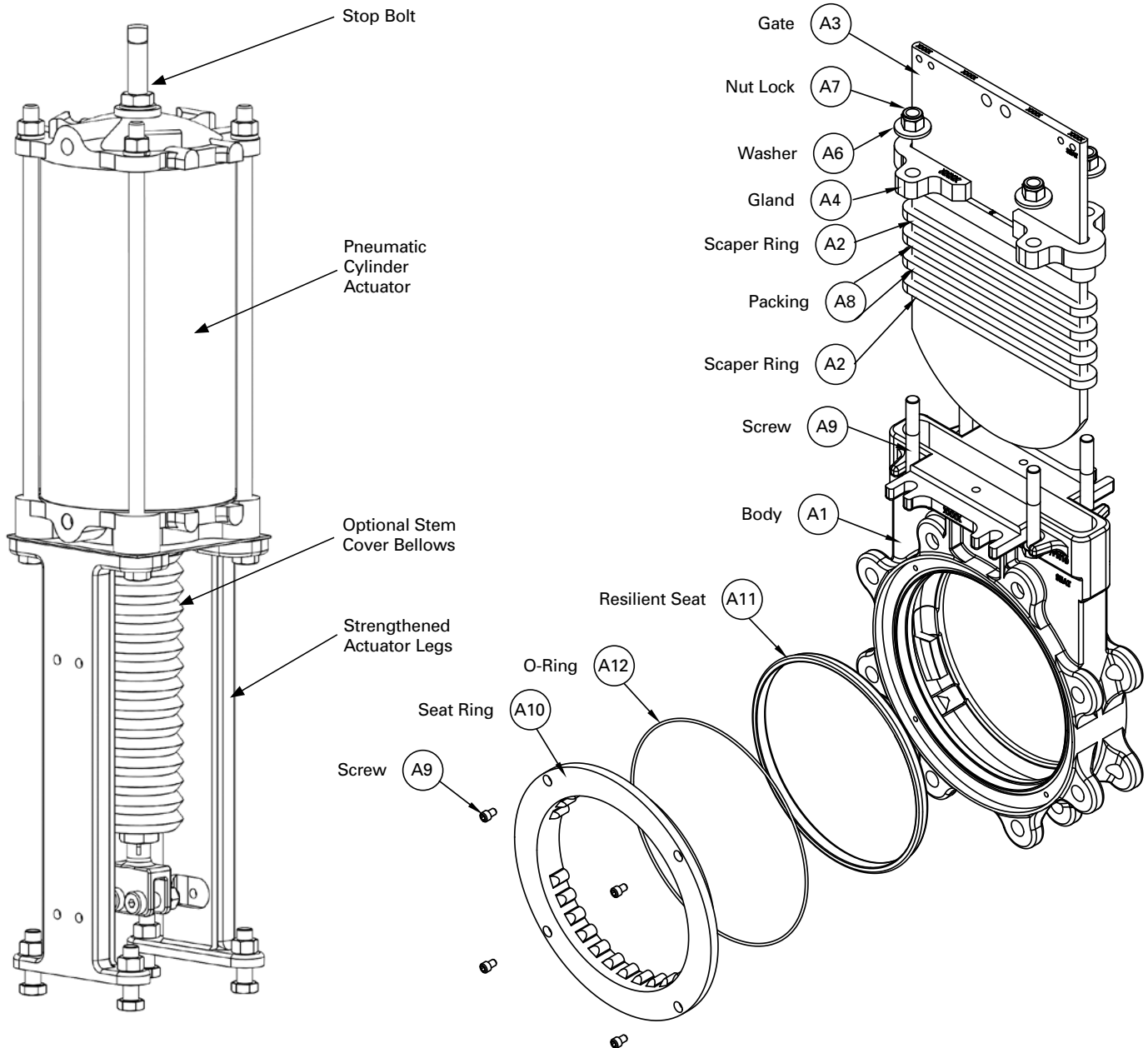


KGC-MC Separates and Shears Metal, Plastic & Other Materials

The KGC-MC has the features and rugged construction that allows it to excel in demanding services requiring shearing capabilities such as cyclone separators, recycle high density cleaners, and recycle detrashers. The serrated seat ring on the KGC-MC valve is designed to separate and shear metal, plastic and other materials without jamming. All the features of the KGC-MC combine to provide superior performance in these high-cycle shearing applications.

Materials of Construction

| Item | Description | Material |
|------|----------------|---|
| A1 | Body | 316 Stainless Steel, ASTM A351 Type CF-8M |
| A2 | Scraper Ring | 317 Stainless Steel, ASTM A351 Type CG-8M |
| A3 | Gate | Braided Copper Wire Scraper |
| A4 | Gland | 410 Stainless Steel, ASTM A240 Hardened |
| A5 | Bolt | 17-4 Stainless Steel, ASTM A564, H900 |
| A6 | Washer | 316 Stainless Steel, ASTM A351 Type CF-8M |
| A7 | Nut Lock | 317 Stainless Steel, ASTM A351 Type CG-8M |
| A8 | Packing | Stainless Steel, ASTM F593 Type 304 |
| A9 | Screw | 18-8 Stainless Steel |
| A10 | Seat Ring | 18-8 Stainless Steel |
| A11 | Resilient Seat | CRW - Braided PTFE with Top & Bottom Copper Wire Scraper to 500°F (260°C) |
| A12 | O-Ring | 316 Stainless Steel |
| | | NBR = Acrylonitrile-Butadiene to 180°F (83°C) |
| | | FKM = Fluoro Rubber to 400°F (204°C) |
| | | EPDM = Terpolymer of Ethylene Propylene and a Diene to 250°F (122°C) |
| | | CR = Chloroprene to 180°F (83°C) |
| | | CRW = Chloroprene Off-White to 140°F (60°C) |
| | | NBR = Acrylonitrile-Butadiene to 180°F (83°C) |
| | | Fluoro Rubber to 400°F (204°C) |
| | | EPDM = Terpolymer of Ethylene Propylene and a Diene to 250°F (122°C) |
| | | CR = Chloroprene to 180°F (83°C) |



Valve Selection

Shut-Off Capabilities

| | |
|-----------------|------------------------------------|
| Resilient Seats | Leak tight/drip tight |
| Metal Seats | Meet MSS SP-81 and TAPPI TIS 405-8 |

Pressure Ratings

100°F (38°C)

| | |
|------------------|---------------------------|
| 3-24" (80-600mm) | 150 psi C.W.P. (1030 kPa) |
|------------------|---------------------------|

Note:
Valve can withstand Full Reverse Pressure without damage.

Flow Parameters

Round Port

| Valve Size | Cv* Kv* 100% Open | K** (resistance) | Port Area (in ² /cm ²) |
|--------------|----------------------------|---------------------|--|
| 3" 80mm | 675 584 | 0.16 | 6.1 39 |
| 4" 100mm | 1200 1040 | 0.16 | 11.5 74 |
| 5" 125mm | 1900 1640 | 0.16 | 18.3 118 |
| 6" 150mm | 2700 2340 | 0.16 | 26.6 172 |
| 8" 200mm | 4800 4200 | 0.16 | 48.3 312 |
| 10" 250mm | 7500 6500 | 0.16 | 76.0 490 |
| 12" 300mm | 10800 9300 | 0.16 | 110 712 |
| 14" 350mm | 13200 11400 | 0.16 | 135 869 |
| 16" 400mm | 17400 15100 | 0.16 | 179 1156 |
| 18" 450mm | 22300 19300 | 0.16 | 234 1508 |
| 20" 500mm | 27800 24000 | 0.16 | 286 1848 |
| 24" 600mm | 40500 35000 | 0.16 | 419 2701 |

*Cv = Flow in GPM of water at 1 psi pressure drop.
Kv = Flow in m³/hr. of water at 100 kPa pressure drop.
** K = The resistance coefficient of the valve. The constant (K) can be used to determine the equivalent length of pipe.

$L = \frac{K \times D}{f}$ Where
L = Equivalent length of pipe in feet
K = Resistance coefficient
D = Pipe diameter in feet
f = Friction factor, related to type of pipe

Applicable Standards

| DeZURIK KGC-MC Knife Gate Valves are designed and/or tested to meet the following standards: | |
|--|--|
| ASME B16.5 | Flanges and Flanged Fittings, ANSI 150 Conforms to related drilling dimensions. |
| International Standards | Conforms to flanged bolt guides — DIN 10 and DIN 16; ISO 7005-1/PN10 and 7005-2/PN16; BS 4504/PN10 and BS 4504/PN16. |
| MSS SP-81 | Metal Seated Valves, Stainless Steel, Bonnetless, Flanged Knife Gate Valves. (Same as TAPPI TIS 405-8) |
| MSS SP-151 | Pressure Testing of Knife Gate Valves |
| AWWA C520 | Knife Gate Valves |
| IEC 61508 SIL 3 | Complies when DeZURIK standard pneumatic or hydraulic actuators are used. Contact DeZURIK to verify compliance with other actuators. IEC 61508 SIL 3 does not apply to manual actuators. |
| Pressure Equipment Directive (PED) | European Pressure Equipment Directive Approved |
| Canadian Registration | CRN Approved in all Canadian Provinces. |

Valve and Actuator Weights

| Valve Size | Basic Valve lbs. Kg. | With Cylinder | |
|--------------|-------------------------|---------------|-------------|
| | | Order Code | lbs. Kg. |
| 3" 80mm | 16 7 | CY-PC4 | 37 17 |
| | | | |
| 4" 100mm | 24 11 | CY-PC4 | 45 20 |
| | | CY-PC6 | 63 29 |
| 5" 125mm | 32 15 | CY-PC4 | 58 26 |
| | | CY-PC6 | 76 35 |
| | | CY-PC8 | 88 40 |
| 6" 150mm | 38 17 | CY-PC4 | 63 29 |
| | | CY-PC6 | 81 37 |
| | | CY-PC8 | 93 42 |
| 8" 200mm | 65 30 | CY-PC6 | 112 51 |
| | | CY-PC8 | 124 56 |
| 10" 250mm | 103 47 | CY-PC8 | 174 79 |
| | | CY-PC10 | 220 100 |
| | | CY-PC12 | 257 117 |
| 12" 300mm | 148 67 | CY-PC8 | 225 102 |
| | | CY-PC10 | 270 122 |
| | | CY-PC12 | 309 140 |
| 14" 350mm | 199 90 | CY-PC10 | 332 151 |
| | | CY-PC12 | 372 169 |
| 16" 400mm | 272 123 | CY-PC10 | 409 186 |
| | | CY-PC12 | 449 204 |
| | | CY-PC14 | 495 225 |
| 18" 450mm | 361 164 | CY-PC12 | 551 250 |
| | | CY-PC14 | 602 273 |
| | | CY-PC16 | 813 369 |
| 20" 500mm | 518 235 | CY-PC12 | 712 323 |
| | | CY-PC14 | 760 345 |
| | | CY-PC16 | 982 445 |
| 24" 600mm | 725 329 | CY-PC12 | 947 430 |
| | | CY-PC14 | 1001 454 |
| | | CY-PC16 | 1219 553 |
| | | CY-PC18 | 1262 572 |

Note: Weights are approximate and do not include crating.

Ordering

To order, simply complete the valve order code from information shown.
An ordering example is shown for your reference.

| |
|---|
| Valve Style Give valve style code as follows: KGC = Cast Knife Gate Valve |
|---|

| | |
|--|------------------|
| Valve Size Give valve size code as follows: | |
| 3 = 3" (80mm) | 12 = 12" (300mm) |
| 4 = 4" (100mm) | 14 = 14" (350mm) |
| 5 = 5" (125mm) | 16 = 16" (400mm) |
| 6 = 6" (150mm) | 18 = 18" (450mm) |
| 8 = 8" (200mm) | 20 = 20" (500mm) |
| 10 = 10" (250mm) | 24 = 24" (600mm) |

| |
|--|
| Body Style Give body style code as follows: MC = Metal Cutting |
|--|

| |
|--|
| End Connection Give end connection code as follows: |
| F1 = ANSI 150 UNC Tapping for Threads |
| F110 = ISO 7005/PN10 Drilling |
| F116 = ISO 7005/PN16 Drilling |
| On Application Other end connections available on application. |

| |
|--|
| Body Material Give body material code as follows: |
| S2 = 316 Stainless Steel |
| S3 = 317 Stainless Steel |
| On Application Other body materials available on application |

| |
|---|
| Packing Material Give packing material code as follows: |
| CW2 = PTFE Braided Packing with Top and Bottom Copper Wire Scraper to 500° (260°C) pH Range 4-10 |
| On Application Other packing materials available on application. |

| |
|--|
| Gate Material Give gate material code as follows: |
| S5 = 17-4 Stainless Steel H900 Heat Treated |
| S8 = 410 Stainless Steel |
| On Application Other gate materials available on application |

| |
|--|
| Seat Material Give seat material code as follows: |
| All Metal |
| S8 = 410 Stainless Steel |
| Combination Metal with Resilient Seat Seal |
| S8NBR = 410 Stainless Steel, Acrylonitrile-Butadiene Seal to 180°F (83°C) |
| S8FKM = 410 Stainless Steel, Fluoro Rubber Seal to 400°F (204°C) |
| S8EPDM = 410 Stainless Steel, Terpolymer of Ethylene Propylene and a Diene Seal to 250°F (122°C) |
| S8CR = 410 Stainless Steel, Chloroprene Seal to 180°F (83°C) |
| S8CRW = 410 Stainless Steel, Chloroprene Off-White Seal to 140°F (60°C) |
| On Application Other resilient seat and overlay materials available on application. |

Note:
The limiting factor in valve selection is the lowest temperature of the packing or seat.

| |
|---|
| Standard Options Give option code as follows: |
| CMC = Certificate of Material Conformance |
| CRT = Certified Physical & Chemical Test Reports |
| DTR = DeZURIK Standard Certified Hydrostatic & Seat Test Report |
| PSC = Purge Ports in Seat and Chest Area |

Ordering Example:
KGC,8,MC,F1,S2,CW2,S8-S8,PSC*Actuator

Cylinder Actuators

DeZURIK cylinder actuators are available with double-acting pneumatic cylinders for on/off or positioning services. Supply pressure is 60 or 80 psi (410 or 550 kPa). To order, add the proper code from the table to the valve order code.

Actuator Sizing

60 psi (410 kPa) Air Supply

| Valve Size | Order Code | Order Code | Maximum Pressure Differential psi/kPa | | |
|--------------------------|------------------------|-------------------|---------------------------------------|-----------------|-------------|
| | Carbon Steel (CS) Yoke | 304 SST (S1) Yoke | Dry Solids, Slurries, Paper Stock | Liquids & Gases | Heavy Trash |
| 3" 80mm | CY-PC4-CS | CY-PC4-S1 | 150 1030 | 150 1030 | N/A |
| | CY-PC6-CS | CY-PC6-S1 | 150 1030 | N/R | N/A |
| 4" 100mm | CY-PC4-CS | CY-PC4-S1 | 100 690 | 150 1030 | N/A |
| | CY-PC6-CS | CY-PC6-S1 | 150 1030 | N/R | N/A |
| 5 & 6" 125 & 150mm | CY-PC4-CS | CY-PC4-S1 | N/A | 50 340 | N/A |
| | CY-PC6-CS | CY-PC6-S1 | 125 860 | 150 1030 | N/A |
| | CY-PC8-CS | CY-PC8-S1 | 150 1030 | N/R | N/A |
| 8" 200mm | CY-PC6-CS | CY-PC6-S1 | 75 515 | 125 860 | N/A |
| | CY-PC8-CS | CY-PC8-S1 | 150 1030 | 150 1030 | N/A |
| 10" 250mm | CY-PC8-CS | CY-PC8-S1 | 100 690 | 150 1030 | N/A |
| | CY-PC10-CS | CY-PC10-S1 | 150 1030 | N/R | N/A |
| | CY-PC12-CS | CY-PC12-S1 | N/R | N/R | 50 340 |
| 12" 300mm | CY-PC8-CS | CY-PC8-S1 | 75 515 | 125 860 | N/A |
| | CY-PC10-CS | CY-PC10-S1 | 125 860 | 150 1030 | N/A |
| | CY-PC12-CS | CY-PC12-S1 | 150 1030 | N/R | 50 340 |
| 14" 350mm | CY-PC10-CS | CY-PC10-S1 | 100 690 | 150 1030 | N/A |
| | CY-PC12-CS | CY-PC12-S1 | 150 1030 | N/R | 50 340 |
| 16" 400mm | CY-PC10-CS | CY-PC10-S1 | 75 515 | 125 860 | N/A |
| | CY-PC12-CS | CY-PC12-S1 | 125 860 | 150 1030 | N/A |
| | CY-PC14-CS | CY-PC14-S1 | 150 1030 | N/R | 50 340 |
| 18" 450mm | CY-PC12-CS | CY-PC12-S1 | 100 690 | 150 1030 | N/A |
| | CY-PC14-CS | CY-PC14-S1 | 150 1030 | N/R | N/A |
| | CY-PC16-CS | CY-PC16-S1 | N/R | N/R | 50 340 |
| 20" 500mm | CY-PC12-CS | CY-PC12-S1 | 50 340 | 125 860 | N/A |
| | CY-PC14-CS | CY-PC14-S1 | 125 860 | 150 1030 | N/A |
| | CY-PC16-CS | CY-PC16-S1 | 150 1030 | N/R | 50 340 |
| 24" 600mm | CY-PC12-CS | CY-PC12-S1 | 25 170 | 75 515 | N/A |
| | CY-PC14-CS | CY-PC14-S1 | 75 515 | 150 1030 | N/A |
| | CY-PC16-CS | CY-PC16-S1 | 150 1030 | N/R | N/A |
| | CY-PC18-CS | CY-PC18-S1 | N/R | N/R | 50 340 |

N/R = Not required. Use next smaller actuator.
N/A = Not available. Use larger actuator or contact DeZURIK.

Actuator Sizing

80 psi (550 kPa) Air Supply

| Valve Size | Order Code | Order Code | Maximum Pressure Differential psi/kPa | | |
|--------------------------|------------------------|-------------------|---------------------------------------|-----------------|-------------|
| | Carbon Steel (CS) Yoke | 304 SST (S1) Yoke | Dry Solids, Slurries, Paper Stock | Liquids & Gases | Heavy Trash |
| 3" 80mm | CY-PC4-CS | CY-PC4-S1 | 150 1030 | 150 1030 | 150 1030 |
| | CY-PC6-CS | CY-PC6-S1 | 150 1030 | 150 1030 | N/A |
| 5 & 6" 125 & 150mm | CY-PC4-CS | CY-PC4-S1 | 50 340 | 75 515 | N/A |
| | CY-PC6-CS | CY-PC6-S1 | 150 1030 | 150 1030 | N/A |
| | CY-PC8-CS | CY-PC8-S1 | N/R | N/R | 150 1030 |
| 8" 200mm | CY-PC6-CS | CY-PC6-S1 | 100 690 | 150 1030 | N/A |
| | CY-PC8-CS | CY-PC8-S1 | 150 1030 | N/R | 150 1030 |
| 10" 250mm | CY-PC8-CS | CY-PC8-S1 | 150 1030 | 150 1030 | N/A |
| | CY-PC10-CS | CY-PC10-S1 | N/R | N/R | 50 340 |
| | CY-PC12-CS | CY-PC12-S1 | N/R | N/R | 150 1030 |
| 12" 300mm | CY-PC8-CS | CY-PC8-S1 | 100 690 | 150 1030 | N/A |
| | CY-PC10-CS | CY-PC10-S1 | 150 1030 | N/R | 50 340 |
| | CY-PC12-CS | CY-PC12-S1 | N/R | N/R | 150 1030 |
| 14" 350mm | CY-PC10-CS | CY-PC10-S1 | 125 860 | 150 1030 | 50 340 |
| | CY-PC12-CS | CY-PC12-S1 | 150 1030 | N/R | 150 1030 |
| 16" 400mm | CY-PC10-CS | CY-PC10-S1 | 100 690 | 150 1030 | N/A |
| | CY-PC12-CS | CY-PC12-S1 | 150 1030 | N/R | 50 340 |
| | CY-PC14-CS | CY-PC14-S1 | N/R | N/R | 150 1030 |
| 18" 450mm | CY-PC12-CS | CY-PC12-S1 | 150 1030 | 150 1030 | N/A |
| | CY-PC14-CS | CY-PC14-S1 | N/R | N/R | 50 340 |
| | CY-PC16-CS | CY-PC16-S1 | N/R | N/R | 150 1030 |
| 20" 500mm | CY-PC12-CS | CY-PC12-S1 | 125 860 | 150 1030 | N/A |
| | CY-PC14-CS | CY-PC14-S1 | 150 1030 | N/R | 50 340 |
| | CY-PC16-CS | CY-PC16-S1 | N/R | N/R | 150 1030 |
| 24" 600mm | CY-PC12-CS | CY-PC12-S1 | 75 515 | 150 1030 | N/A |
| | CY-PC14-CS | CY-PC14-S1 | 150 1030 | N/R | N/A |
| | CY-PC16-CS | CY-PC16-S1 | N/R | N/R | 50 340 |
| | CY-PC18-CS | CY-PC18-S1 | N/R | N/R | 150 1030 |

N/R = Not required. Use next smaller actuator.
N/A = Not available. Use larger actuator or contact DeZURIK.

Cylinder Actuator Accessories

Positioners

DeZURIK cylinder actuators are available with pneumatic, electro-pneumatic or digital positioners for throttling control. Positioners are available in various NEMA ratings and mounted to the actuator legs.

Air Filter Regulator

The DeZURIK Air Filter Regulator is designed to provide clean, accurate air pressure to actuators and positioners.

Four-Way Solenoid Valves

Solenoid valves may be ordered mounted and piped as part of a complete valve/actuator assembly or as a separate item.

Speed Control Valves

Speed Control Valves are available for controlling valve opening or closing speed with pneumatic actuators. The speed of operation is adjustable.

Position Indicating Switches

Mechanical or Proximity Position Indicating Switches are available for use on double-acting cylinder actuators. One switch can be set to indicate open or closed position. Two switches will automatically be set to indicate full open and full closed positions.

High-Strength Actuator Legs

High-Strength Actuator Legs provide additional rigidity to withstand horizontal valve mounting, high cycle rates, and vibration common on cyclone applications, without external actuator supports.

High-Strength Actuator Legs are an integral part of a complete KGC-MC valve and actuator assembly. Include the SAL code after the actuator code.

Ordering Example (complete valve):

KGC,6,MC,F1,S2,CW2,S8-S8*CY-PC6-S1,SAL



Stem Cover Bellows

To protect valve stem from environmental debris, the Stem Cover Bellows may be ordered as part of a complete valve and actuator assembly. To order, add the SCB code to the valve and actuator code.

Ordering Example (complete valve):

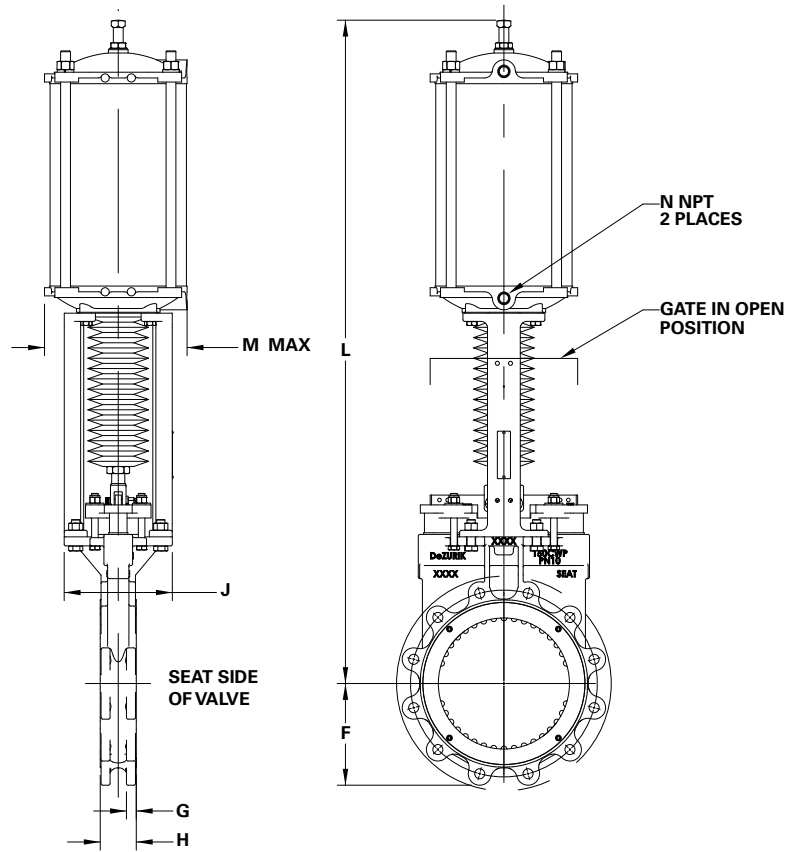
KGC,6,MC,F1,S2,CW2,S8-S8*CY-PC6-S1,SAL,SCB

Dimensions

Basic Valve with Cylinder Actuator

| Valve Size | Dimensions | | |
|--------------|--------------|-------------|-------------|
| | F | H | J |
| 3" 80mm | 3.75 95 | 2.00 51 | 4.75 121 |
| 4" 100mm | 4.50 114 | 2.00 51 | 5.00 127 |
| 5" 125mm | 5.00 127 | 2.25 57 | 5.75 146 |
| 6" 150mm | 5.50 140 | 2.25 57 | 5.75 146 |
| 8" 200mm | 6.75 171 | 2.75 70 | 6.38 162 |
| 10" 250mm | 8.00 203 | 2.75 70 | 8.25 210 |
| 12" 300mm | 9.50 241 | 3.00 76 | 8.25 210 |
| 14" 350mm | 10.50 267 | 3.00 76 | 8.25 210 |
| 16" 400mm | 11.75 298 | 3.50 89 | 8.69 221 |
| 18" 450mm | 12.50 318 | 3.50 89 | 9.31 236 |
| 20" 500mm | 13.75 349 | 4.50 114 | 9.42 239 |
| 24" 600mm | 16.00 406 | 4.50 114 | 9.42 239 |

Inches
Millimeters



3-24" (80-600mm) Valves

| Actuator Order Code | Dimensions | | | | | | | | | | | | M | N |
|---------------------|--------------|--------------|--------------|--------------|---------------|---------------|---------------|---------------|---------------|---------------|---------------|---------------|--------------|-----|
| | L | | | | | | | | | | | | | |
| | 3" 80mm | 4" 100mm | 5" 125mm | 6" 150mm | 8" 200mm | 10" 250mm | 12" 300mm | 14" 350mm | 16" 400mm | 18" 450mm | 20" 500mm | 24" 600mm | | |
| CY-PC4 | 23.98 609 | 26.26 667 | 30.64 778 | 32.18 817 | — | — | — | — | — | — | — | — | 5.38 137 | 1/4 |
| CY-PC6 | — | 27.61 701 | 32.00 813 | 33.56 852 | 39.11 993 | 47.13 1197 | — | — | — | — | — | — | 7.88 200 | 1/4 |
| CY-PC8 | — | — | 32.38 822 | 33.94 862 | 39.49 1003 | 49.57 1259 | 53.19 1351 | 59.06 1500 | 62.74 1594 | — | — | — | 10.50 267 | 1/2 |
| CY-PC10 | — | — | — | — | — | 50.97 1295 | 54.59 1387 | 60.35 1533 | 64.03 1626 | 73.59 1869 | 77.16 1960 | — | 13.00 330 | 1/2 |
| CY-PC12 | — | — | — | — | — | 50.94 1294 | 54.56 1386 | 60.70 1542 | 64.38 1635 | 73.94 1878 | 77.50 1968 | 89.48 2273 | 15.00 381 | 1/2 |
| CY-PC14 | — | — | — | — | — | — | — | — | 63.68 1617 | 73.24 1860 | 76.81 1951 | 88.78 2255 | 17.00 432 | 1/2 |
| CY-PC16 | — | — | — | — | — | — | — | — | — | 70.25 1784 | 75.94 1929 | 87.91 2233 | 17.00 432 | 1/2 |
| CY-PC18 | — | — | — | — | — | — | — | — | — | — | — | 88.16 2239 | 19.00 483 | 3/4 |

Inches
Millimeters

Sales and Service

For information about our worldwide locations, approvals, certifications and local representative:

Web Site: www.dezurik.com E-Mail: info@dezurik.com



250 Riverside Ave. N. Sartell, Minnesota 56377 • Phone: 320-259-2000 • Fax: 320-259-2227

DeZURIK, Inc. reserves the right to incorporate our latest design and material changes without notice or obligation. Design features, materials of construction and dimensional data, as described in this bulletin, are provided for your information only and should not be relied upon unless confirmed in writing by DeZURIK, Inc. Certified drawings are available upon request.