

## DeZURIK RCV Rotary Control Valves for Low Pressure Steam Applications

DeZURIK's RCV Rotary Control Valve is designed for precise throttling accuracy and control over a full 90° of rotation. DeZURIK's premium Spring Diaphragm or PowerRac actuator, combined with your choice of digital positioners, creates an outstanding control valve package.

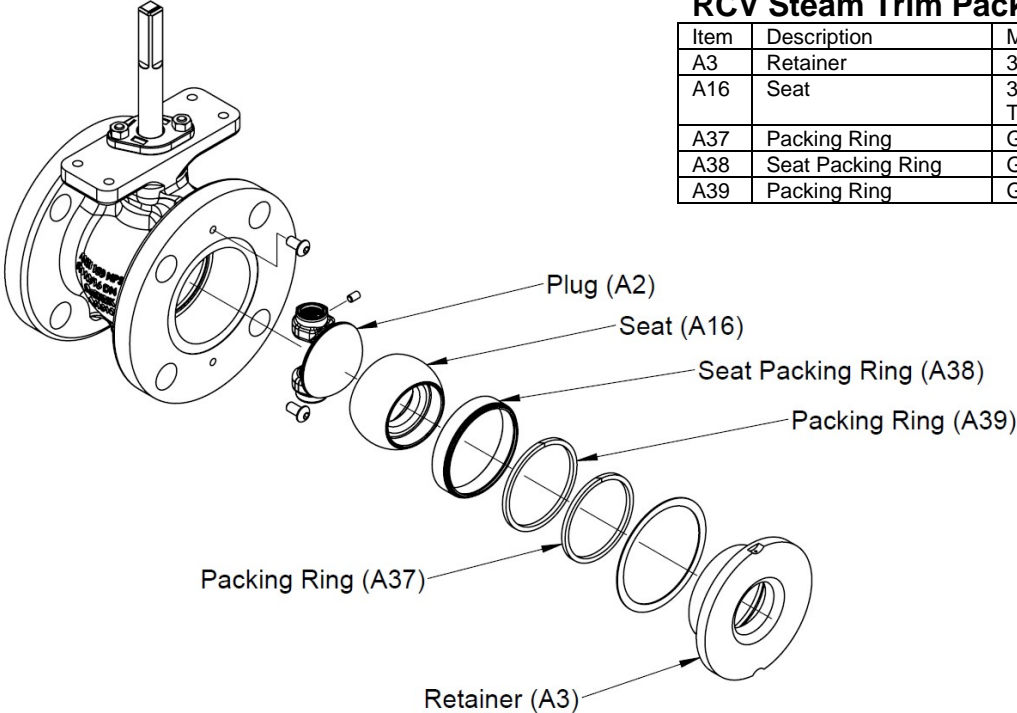
Our specially designed **Steam Trim Package** includes a graphite seat seal and 317 stainless steel seat with a Tungsten Carbide overlay, and 317 stainless steel seat retainer. The preferred valve mounting direction for steam service should be in the flow-to-close direction (flow into the back of the plug) which is the preferred installation direction for steam service. By installing the valve in the flow-to-close direction, the higher velocity steam flow is directed through the hardened seat area.



# DeZURIK RCV Rotary Control Valves for Steam Applications

### RCV Steam Trim Package (Y03567)

Item	Description	Material
A3	Retainer	317 Stainless Steel
A16	Seat	317 Stainless Steel with Tungsten Carbide Overlay
A37	Packing Ring	Graphite
A38	Seat Packing Ring	Graphite
A39	Packing Ring	Graphite

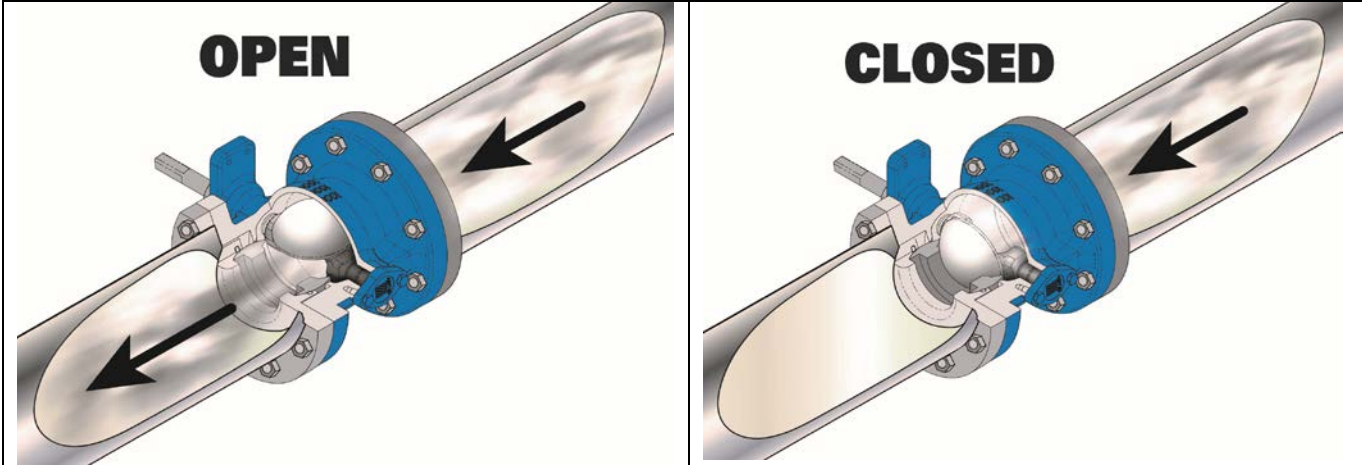


**Ordering Example:**

RCV,4,F1S,S3,G2,S3-S3S-F-S10-S9\*DR-40B-SP60-D,P30AH\*Y03567

**Valve Installation**

Valves for steam applications should be installed in the flow-to-close direction so the higher velocity steam flow is directed through the hardened seat area.



Download a Copy of DeZURIK's [Alpha I Control Valve Sizing](#) program to accurately size the RCV Rotary Control Valve for your steam application.

