



# DEZURIK LA-SERIES MANUAL & ELECTRIC ACTUATORS

Instruction **D10308**  
August 2012

## Instructions

These instructions are for use by personnel who are responsible for the installation, operation and maintenance of DeZURIK valves, actuators or accessories.

## Safety Messages

All safety messages in the instructions are identified by a general warning sign and the signal word CAUTION, WARNING or DANGER. These messages indicate procedures to avoid injury or death.

Safety label(s) on the product indicate hazards that can cause injury or death. If a safety label becomes difficult to see or read, or if a label has been removed, please contact DeZURIK for replacement label(s).

---

### **⚠WARNING**

**Personnel involved in the installation or maintenance of valves should be constantly alert to potential emission of pipeline material and take appropriate safety precautions. Always wear suitable protection when dealing with hazardous pipeline materials. Handle valves which have been removed from service with suitable protection for any potential pipeline material in the valve.**

---

## Inspection

Your DeZURIK product has been packaged to provide protection during shipment; however, items can be damaged in transport. Carefully inspect the unit for damage upon arrival and file a claim with the carrier if damage is apparent.

## Parts

Replaceable wear parts are listed on the assembly drawing. These parts can be stocked to minimize downtime. Order parts from your local DeZURIK sales representative or directly from DeZURIK. When ordering parts please provide the following information:

**If the valve has a data plate:** please include the 7-digit part number with either 4-digit revision number (example: 9999999R000) or 8-digit serial number (example: S1900001) whichever is applicable. The data plate will be attached to the valve assembly. Also, include the part name, the assembly drawing number, the balloon number and the quantity stated on the assembly drawing.

**If there isn't any data plate visible on the valve:** please include valve model number, part name, and item number from the assembly drawing. You may contact your local DeZURIK Representative to help you identify your valve.

## DeZURIK Service

DeZURIK service personnel are available to maintain and repair all DeZURIK products. DeZURIK also offers customized training programs and consultation services. For more information, contact your local DeZURIK sales representative or visit our website at [DeZURIK.com](http://DeZURIK.com).

**Table of Contents**

Description - - - - - 4  
Required Tools - - - - - 4  
Lubrication - - - - - 4  
Spare Parts - - - - - 5  
Drawings - - - - - 5  
Adjusting Stops - - - - - 7  
Disassembly and Removal - - - - - 7  
Reassembly and Installation - - - - - 8  
Setting Position Stops - - - - - 9  
Troubleshooting - - - - - 9

# DeZURIK

## LA-Series Manual & Electric Actuators

---

### Description

The LA-Series Actuator has a fully-enclosed compound link mechanism that is available in weatherproof or buriable models with internally adjustable stops.

The actuator is sized for the valve and shutoff pressure specified. Consult the factory for sizing information if the actuator is used for other applications.

The actuator conforms to the applicable requirements of ANSI/AWWA Standard C504.

### Manual Operation

The manually operated actuator can be driven by a handwheel, chainwheel or a 2-inch nut. It is also available with a 2:1 spur gear drive. The actuator is designed for a 450-foot-pound input against the stops (without the spur gear), and 300 foot pounds with the spur gear.

Clockwise rotation of the actuator input shaft closes the valve. The number of actuator turns required to move the valve the 90 degrees from one position to the other is as follows:

MODEL	W/O Spur Gear	With Spur Gear
LA-4	34 turns	68 turns
LA-6	50 turns	100 turns
LA-10	84 turns	168 turns

### Electric Operation

The motor-driven actuator has a keyed input shaft and is available with or without the spur gear drive.

### Required Tools

The actuator is assembled with SAE fasteners. Tools required for disassembly, assembly and adjustment include a set of combination wrenches, a flat-tipped screwdriver, Allen wrenches, a pin punch, a file and a hammer.

### Lubrication

The actuator does not require lubrication for routine maintenance. If the actuator is disassembled, however, lubricate all of the bearing, sealing and threaded surfaces of the components listed below with EXXON Unirex EP 2 Premium lubricant (**recommended**) or Petro-Canada Precision XL EP 2 (alternate) during assembly. See Figures 1 and 2 for parts location.

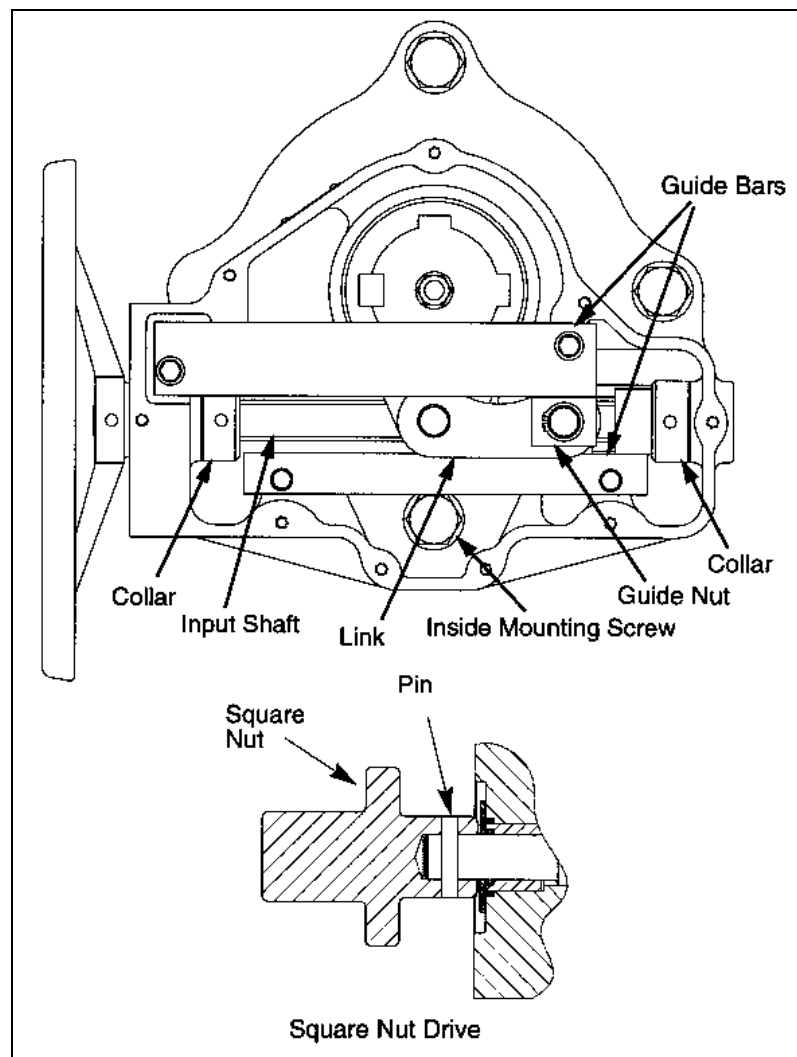
- Actuator input shaft, O-ring and bearings
- Input shaft threads
- Collars
- Both stop nuts
- Inner thrust washers, both sides
- Guide nuts
- Guide bars
- Yoke nut
- Bearing and O-ring where valve shaft enters actuator housing

After the actuator is fully assembled, apply a layer of lubricant approximately 1/2" thick to the above surfaces that are accessible inside the housing. For buried service, continue to apply lubricant until the housing is 90% filled.

## Spare Parts

- Recommended spare parts are listed below. Replace worn parts as described below.
- Housing bearing (B2)
- Thrust washers (B15, B16)
- O-ring for valve shaft (B11)
- O-rings for actuator shaft (B12, B49)
- Bearing (B17)
- Seal (B28)

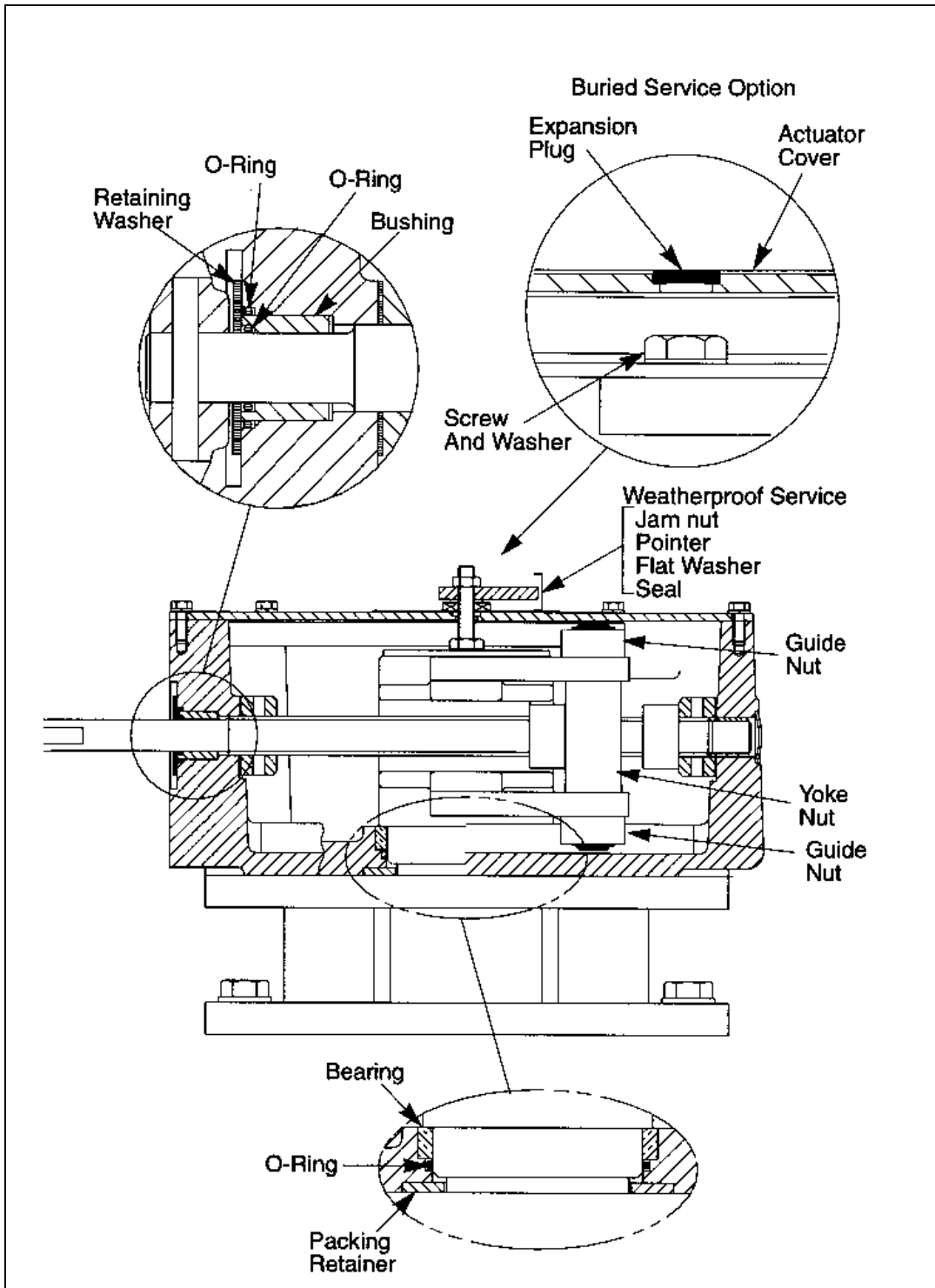
## Drawings



**Figure 1—Actuator Top View**

**DeZURIK**  
**LA-Series Manual & Electric Actuators**

**Drawings** (Continued)



**Figure 2—Actuator Side View**

## Adjusting Stops

The adjustable stops prevent the actuator from going beyond the open and closed positions of the valve. The stops are preset and do not require further adjustment. If the actuator is disassembled, however, the stops may require readjustment as described in the SETTING STOPS sections of this manual.

## Disassembly and Removal

1. Relieve the pressure and flow in the pipeline.



**WARNING!**

**This actuator retains the stem packing in the valve. The actuator and packing could be forcibly ejected and could cause personal injury if the actuator mounting screws are removed with pressure in the valve. Relieve pressure in the valve before removing the actuator.**

2. Close the valve.
3. If the actuator is powered, disconnect and lock out the pneumatic, hydraulic, or electrical power to prevent accidental operation of the actuator.



**WARNING!**

**Moving parts from accidental operation of power actuator can cause personal injury or equipment damage. Disconnect and lock out power to actuator before servicing.**

4. If the actuator has a pointer, remove the jam nut (B33), pointer (B29), flat washer (B91) and seal (B28).
5. Remove the cover screws (B19), washers (B20) and cover (B4) from actuator.
6. Drive the pins (B14) out of the collars (B13). The pins can be driven straight through toward the bottom of the housing.
7. Remove the inner (B25) and outer (B24) guide bars.
8. Unscrew the actuator input shaft (B10) from the collars (B13), the stop nuts (B27), and the yoke nut (B7).
9. Remove the shaft from the actuator housing.
10. Remove all of the remaining shaft components from the housing.
11. From the valve shaft, remove the yoke (B3), yoke nut and link assembly. Keep the drive key with the yoke.
12. Remove the actuator mounting screws (B41 or B42), and remove the actuator housing from the valve.
13. From yoke nut and link assembly, remove retaining rings (B9), guide nuts (B8) and links (B6).

### Reassembly and Installation

1. Clean all parts and remove old sealant from the actuator cover.
2. Restore the key and keyway in the valve shaft to original condition.
3. If the yoke bearing (B2) in the bottom of the housing is worn, replace it.
4. Install a new O-ring (B11) outside the yoke bearing.
5. On the outside of the bottom of the actuator housing, run a bead of sealant around the bolt hole that goes into the inside of the housing.
6. Set actuator housing on valve. Make sure relief groove on bottom of actuator is open.
7. Insert the screws (three on models LA-4 and LA-6, four on model LA-10) that fasten actuator housing to the valve.
8. Lubricate bearing surfaces of yoke nut and links and the bearing surfaces inside actuator housing.
9. Partially assemble yoke nut, one guide nut (not used on LA-10), link and snap ring (one side only).
10. Install partially assembled yoke nut assembly on yoke. On the model LA-4 actuator make sure the curved side of the link faces the correct side of the yoke (see drawing).
11. Install second link, guide nut and retaining ring on yoke and yoke nut.
12. Place yoke and nut assembly into housing with machined end of yoke down.
13. Inspect the holes near the ends of the actuator shaft and remove any burrs made while the pins were being removed during disassembly.
14. Insert shaft part way into housing, small end first.
15. Lubricate both sides of thrust bearing, then place on shaft with metal surface of bearing facing toward the actuator housing.
16. Place a collar onto the shaft with the chamfered end toward the middle of the actuator.
17. Thread a stop nut onto the shaft.
18. Thread the shaft through the yoke nut. On models LA-4 and LA-6, the machined side of the yoke nut faces away from the valve shaft.
19. Thread a second stop nut onto the shaft.
20. Place the second collar on the shaft with the chamfered end toward the middle of the actuator.
21. Install the second thrust bearing on the shaft.
22. Place shims on shaft. All shims are installed between the actuator housing and the thrust washer that is farthest from the input side of the actuator.
23. At both ends of the actuator shaft, align the holes in the collars with the holes in the shaft.
24. Drive a pin into each collar.
25. With both actuator and valve in fully closed position, make minor adjustments to align one of the keyways in the actuator yoke with the single keyway in the valve shaft.
26. Drive the key between the valve shaft and the actuator yoke until it is flush with the top of the shaft. Do not "mushroom" the end of the key.



## Reassembly and Installation *(Continued)*

27. Center punch the end of the valve shaft on each side of the key to retain key in keyway.
28. Complete the assembly by following steps 2 -12 in the SETTING STOPS section of this manual.

## Setting Stops

1. Remove inner and outer guide bars if present.
2. Thread stop nuts along shaft to get desired open and closed positions of valve. To get longer stroke, move stop nuts toward middle of actuator.
3. Install inner and outer guide bars, and start screws into actuator. Leave screws loose.
4. Operate valve to full open and closed positions to check locations of stop nuts.
5. If open or closed position is not satisfactory, follow steps 1 through 4 above. If open and closed positions are both satisfactory, go to next step.
6. Tighten screws for guide bars as follows: while using a screwdriver to hold the guide bars away from the actuator shaft, tighten the screws.
7. Move the actuator to the closed position.
8. Clean the mating surfaces on the actuator housing and cover.
9. Using RTV or another silicone based sealant, form a gasket on the mating surface of the actuator housing.
10. Install the actuator cover.
11. **WITH POSITION INDICATOR:** If the actuator has a pointer, install the seal, flat washer, pointer (pointing to "CLOSED") and jam nut in that order.  
**WITHOUT POSITION INDICATOR:** If the actuator does not have a pointer, (Buried Service): Install compression plug in hole in middle of actuator cover.
12. If the actuator is powered, reconnect power to the actuator.

## Troubleshooting

Symptom	Possible Cause	Corrective Action
Actuator closes to wrong position	Closed position stop is set incorrectly	Adjust closed position stop
Actuator opens to wrong position	Open position stop is set incorrectly	Adjust open position stop
Actuator won't move to closed position stop	Obstruction in valve is preventing closure	Remove obstruction
Motor turns but actuator does not turn	Key in motor drive is sheared	Remove drive from actuator and replace key
Actuator turns but valve does not turn	Key that connects yoke to valve shaft is sheared	Replace key in valve shaft inside actuator housing
Motor turns wrong way	Motor wired incorrectly	See motor wiring diagram
Valve turns wrong way	Yoke-to-shaft key in 90 degrees off	Disengage actuator yoke from valve shaft. Index yoke 90 degrees. Reengage.

## Limited Warranty

DeZURIK, Inc. ("Seller") manufactured products, auxiliaries and parts thereof that we manufacture for a period of twenty-four (24) months from date of shipment from Seller's factory, are warranted to the original purchaser only against defective workmanship and material, but only if properly stored, installed, operated, and serviced in accordance with Seller's recommendations and instructions.

For items proven to be defective within the warranty period, your exclusive remedy under this limited warranty is repair or replacement of the defective item, at Seller's option, FCA Incoterms 2020 Seller's facility with removal, transportation, and installation at your cost.

Products or parts manufactured by others but furnished by Seller are not covered by this limited warranty. Seller may provide repair or replacement for other's products or parts only to the extent provided in and honored by the original manufacturer's warranty to Seller, in each case subject to the limitations contained in the original manufacturer's warranty.

No claim for transportation, labor, or special or consequential damages or any other loss, cost or damage is being provided in this limited warranty. You shall be solely responsible for determining suitability for use and in no event shall Seller be liable in this respect.

This limited warranty does not warrant that any Seller product or part is resistant to corrosion, erosion, abrasion or other sources of failure, nor does Seller warrant a minimum length of service.

Your failure to give written notice to us of any alleged defect under this warranty within twenty (20) days of its discovery, or attempts by someone other than Seller or its authorized representatives to remedy the alleged defects therein, or failure to return product or parts for repair or replacement as herein provided, or failure to store, install, or operate said products and parts according to the recommendations and instructions furnished by Seller shall be a waiver by you of all rights under this limited warranty.

This limited warranty is voided by any misuse, modification, abuse or alteration of Seller's product or part, accident, fire, flood or other Act of God, or your failure to pay entire contract price when due.

The foregoing limited warranty shall be null and void if, after shipment from our factory, the item is modified in any way or a component of another manufacturer, such as but not limited to; an actuator is attached to the item by anyone other than a Seller factory authorized service personnel.

All orders accepted shall be deemed accepted subject to this limited warranty, which shall be exclusive of any other or previous warranty, and this shall be the only effective guarantee or warranty binding on Seller, despite anything to the contrary contained in the purchase order or represented by any agent or employee of Seller in writing or otherwise, notwithstanding, including but not limited to implied warranties.

THE FOREGOING REPAIR AND REPLACEMENT LIMITED WARRANTY IS IN LIEU OF ALL OTHER WARRANTIES, OBLIGATIONS AND LIABILITIES, INCLUDING, BUT NOT LIMITED TO, ALL WARRANTIES OF FITNESS FOR A PARTICULAR PURPOSE OR OF MERCHANTABILITY OR OTHERWISE, EXPRESSED OR IMPLIED IN FACT OR BY LAW, AND STATE SELLER'S ENTIRE AND EXCLUSIVE LIABILITY AND YOUR EXCLUSIVE REMEDY FOR ANY CLAIM IN CONNECTION WITH THE SALE AND FURNISHING OF SERVICES, GOODS OR PARTS, THEIR DESIGN, SUITABILITY FOR USE, INSTALLATION OR OPERATIONS. NEITHER ANY PERFORMANCE OR OTHER CONDUCT, NOR ANY ORAL OR WRITTEN INFORMATION, STATEMENT, OR ADVICE PREPARED BY SELLER OR ANY OF OUR EMPLOYEES OR AGENTS WILL CREATE A WARRANTY, OR IN ANY WAY INCREASE THE SCOPE OR DURATION OF THE LIMITED WARRANTY.

## Disclaimer

Metric fasteners should not be used with ASME Class 150/300 bolt holes and flange bolt patterns. If you use metric fasteners with ASME Class 150/300 bolt holes and flange bolt patterns, it may lead to product failure, injury, and loss of life. DeZURIK Inc. disclaims all liability associated with the use of metric fasteners with ASME Class 150/300 bolt holes and flange patterns, including but not limited to personal injury, loss of life, loss of product, production time, equipment, property damage, lost profits, consequential damages of any kind and environment damage and/or cleanup. Use of metric fasteners with ASME Class 150/300 bolt holes and flange bolt patterns is a misuse that voids all warranties and contractual assurances. If you use metric fasteners with ASME Class 150/300 bolt holes and flange bolt patterns, you do so at your sole risk and any liability associated with such use shall not be the responsibility of DeZURIK, Inc. In addition to the foregoing, DeZURIK's Manufacturer's Conditions apply.

## Limitation of Liability

IN NO EVENT SHALL SELLER BE LIABLE FOR ANY DIRECT, INDIRECT, SPECIAL, PUNITIVE, EXEMPLARY, OR CONSEQUENTIAL DAMAGES (INCLUDING, BUT NOT LIMITED TO; DAMAGE TO OR LOSS OF OTHER PROPERTY OR EQUIPMENT, BUSINESS INTERRUPTION, COST OF SUBSTITUTE PRODUCTS, LOSS OF TIME, LOSS OF PROFITS OR REVENUE, COST OF CAPTIAL, LOSS OF USE, OR DIMINUTION IN VALUE) WHATSOEVER, AND SELLER'S LIABILITY, UNDER NO CIRCUMSTANCES, WILL EXCEED THE CONTRACT PRICE FOR THE GOODS AND/OR SERVICES FOR WHICH LIABILITY IS CLAIMED. ANY ACTION FOR BREACH OF CONTRACT BY YOU, OTHER THAN RIGHTS RESPECTING OUR LIMITED WARRANTY DESCRIBED ABOVE, MUST BE COMMENCED WITHIN 12 MONTHS AFTER THE DATE OF SALE.

## Sales and Service

For information about our worldwide locations, approvals, certifications and local representative:

Web site: [www.dezurik.com](http://www.dezurik.com) E-Mail: [info@dezurik.com](mailto:info@dezurik.com)



250 Riverside Ave. N., Sartell, MN 56377 • Phone: 320-259-2000 • Fax: 320-259-2227

*DeZURIK, Inc. reserves the right to incorporate our latest design and material changes without notice or obligation.*

*Design features, materials of construction and dimensional data, as described in this manual, are provided for your information only and should not be relied upon unless confirmed in writing by DeZURIK, Inc. Certified drawings are available upon request.*