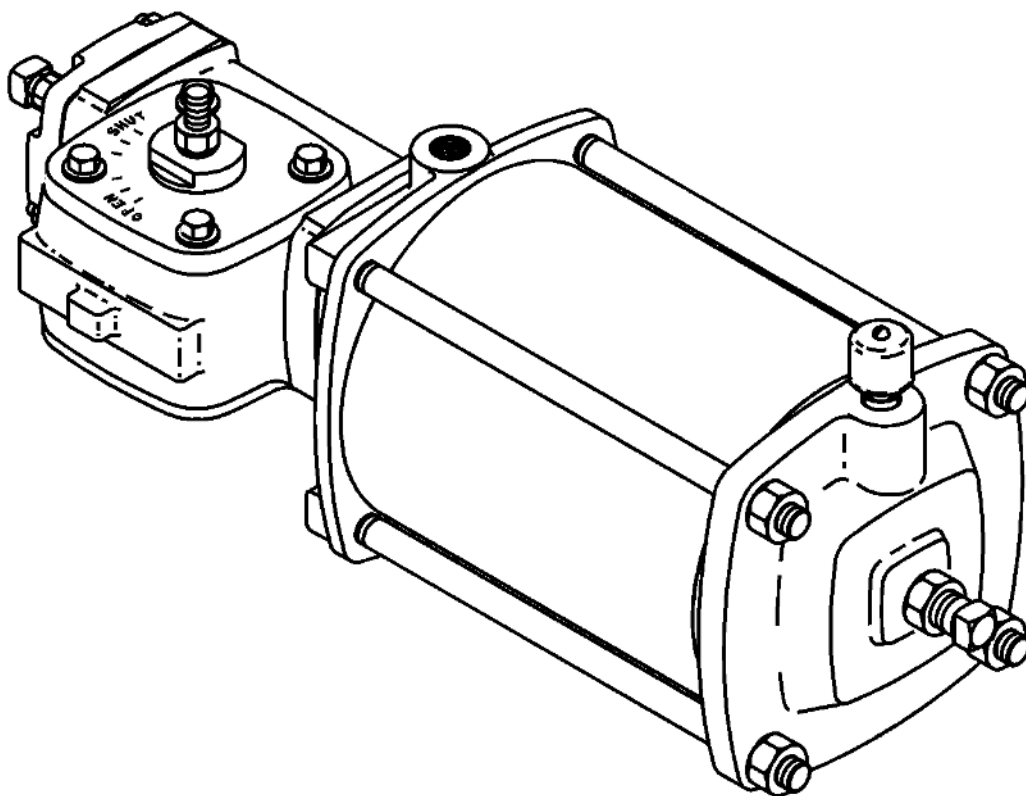


DEZURIK R1 POWERRAC® SPRING-RETURN ACTUATOR

USED ON ½ - 3" PEC ECCENTRIC VALVES



Instruction **D10389**
February 2026

Instructions

These instructions are for use by personnel who are responsible for the installation, operation and maintenance of DeZURIK valves, actuators or accessories.

Safety Messages

All safety messages in the instructions are identified by a general warning sign and the signal word CAUTION, WARNING or DANGER. These messages indicate procedures to avoid injury or death.

Safety label(s) on the product indicate hazards that can cause injury or death. If a safety label becomes difficult to see or read, or if a label has been removed, please contact DeZURIK for replacement label(s).

⚠WARNING

Personnel involved in the installation or maintenance of valves should be constantly alert to potential emission of pipeline material and take appropriate safety precautions. Always wear suitable protection when dealing with hazardous pipeline materials. Handle valves which have been removed from service with suitable protection for any potential pipeline material in the valve.

Inspection

Your DeZURIK product has been packaged to provide protection during shipment; however, items can be damaged in transport. Carefully inspect the unit for damage upon arrival and file a claim with the carrier if damage is apparent.

Parts

Replaceable wear parts are listed on the assembly drawing. These parts can be stocked to minimize downtime. Order parts from your local DeZURIK sales representative or directly from DeZURIK. When ordering parts please provide the following information:

If the valve has a data plate: please include the 7-digit part number with either 4-digit revision number (example: 9999999R000) or 8-digit serial number (example: S1900001) whichever is applicable. The data plate will be attached to the valve assembly. Also, include the part name, the assembly drawing number, the balloon number and the quantity stated on the assembly drawing.

If there isn't any data plate visible on the valve: please include valve model number, part name, and item number from the assembly drawing. You may contact your local DeZURIK Representative to help you identify your valve.

DeZURIK Service

DeZURIK service personnel are available to maintain and repair all DeZURIK products. DeZURIK also offers customized training programs and consultation services. For more information, contact your local DeZURIK sales representative or visit our website at DeZURIK.com.

DeZURIK

RI PowerRac® Spring Return Actuator
on 1/2 - 3" PEC Eccentric Valves

Table of Contents

Table of Contents	3
Description	4
Installation	5
Spring-to-Close	5
Spring-to-Open	5
Operation	6
Lubrication	6
Position Stops	7
Removing Actuator	8
Actuator Disassembly	8
Spring-Return Cylinder Disassembly	10
Spring-Return Cylinder Reassembly	11
Actuator Reassembly	12
Mounting Actuator	14
Changing Actuator from Spring-Return to Double-Acting	15
Reversing Spring Action	15
Changing Mounting Position	15
Lockable Model	15
Unlocked Condition	16
Locked Closed Condition	16
Locked Open Condition	17
Troubleshooting	19

DeZURIK

R1 PowerRac® Spring Return Actuator
on 1/2 - 3" PEC Eccentric Valves

Description

The R1 PowerRac® Spring-Return Actuator is a quarter-turn enclosed rack and gear cylinder actuator. The R1 PowerRac® Spring-Return Actuator is used for on-off or modulating control on 1/2"–3" PEC Eccentric Valves. The R number designates the 1" radius of the actuator gear. A choice of 4" and 6" (100 mm and 150 mm) cylinder diameters is offered. The 4" cylinder is offered with one spring size while the 6" cylinder has two spring sizes.

The actuator is available as a spring-to-open or spring-to-close actuator. The spring action may be reversed by removing the spring-return cylinder assembly and mounting it on the opposite end of the gear housing.

A lockable model of the PowerRac® Spring-Return Actuator is also available. See "Lockable Model" section.

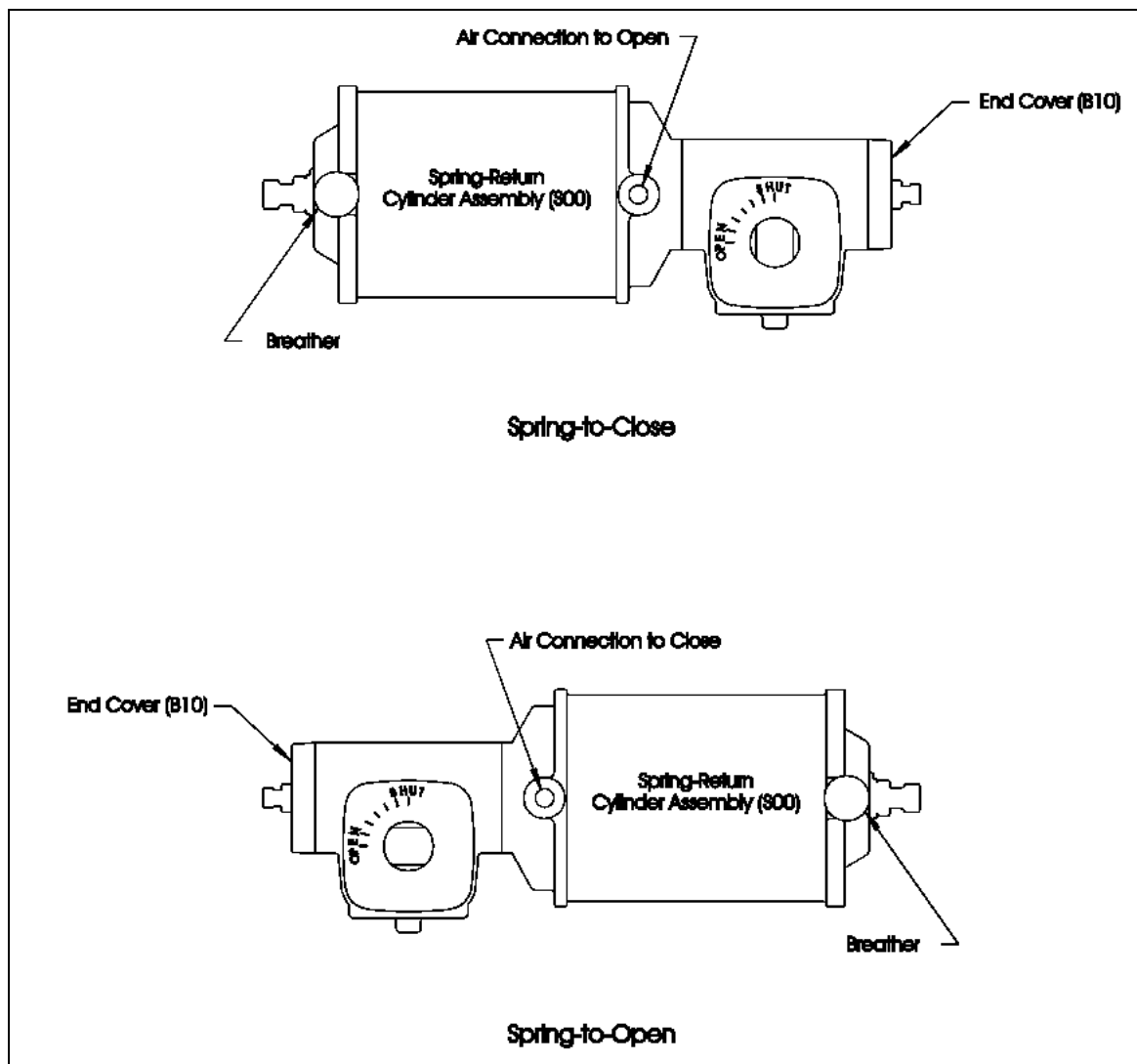


Figure 1— Available Configurations

DeZURIK

RI PowerRac® Spring Return Actuator
on 1/2 - 3" PEC Eccentric Valves

Installation

All cylinder port connections are 1/4" NPT. The spring-return actuator requires one pneumatic connection as shown below.

Spring-to-Close

With a spring-to-close spring actuator, air to the connection drives the actuator counterclockwise, towards the “open” position on the dial.

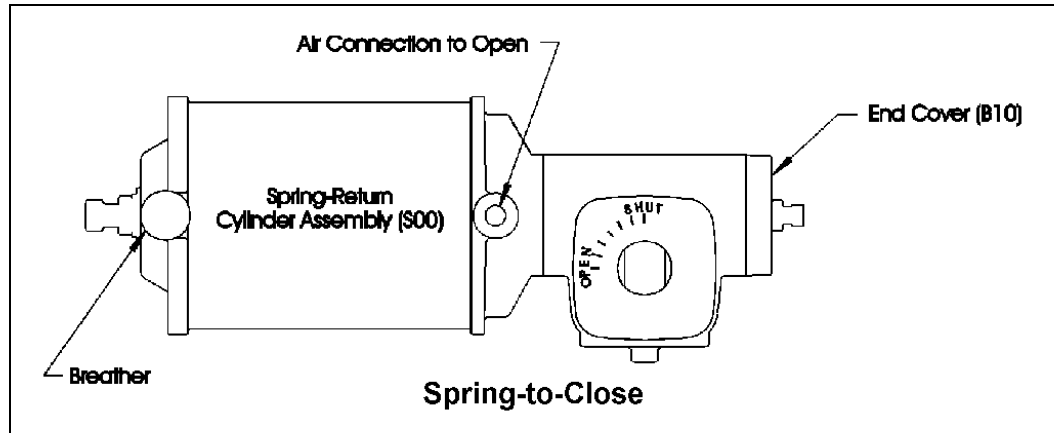


Figure 2—Spring-to-Close

Spring-to-Open

With a spring-to-open actuator, air to the connection drives the actuator clockwise, towards the “shut” position on the dial.

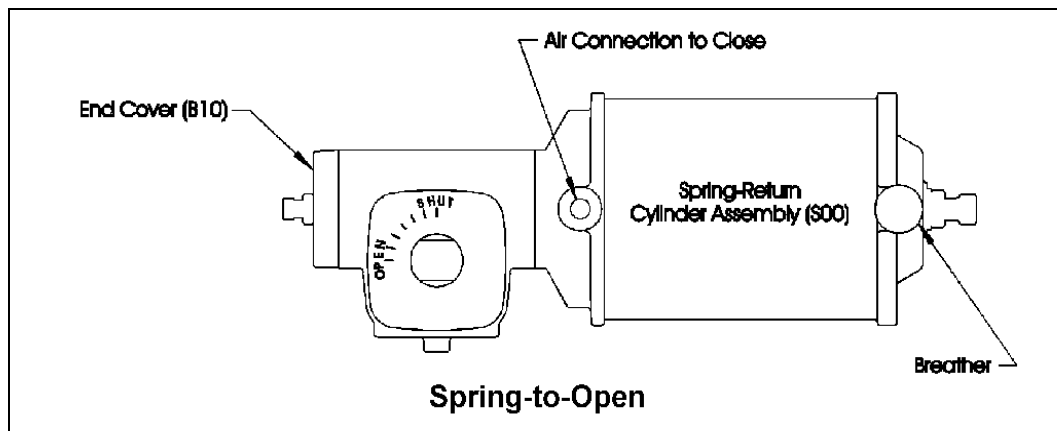


Figure 3—Spring-to-Open

As the spring-return actuator is cycled, air is alternately exhausted and drawn in through a breather. The breather is located at one end of the cylinder as shown in Figures 2 and 3. The breather must be protected from water because water inside of the actuator will cause sticking and premature wear of the internal components.

If the actuator is located outdoors or in an area that will be hosed down, the breather must be oriented vertically. The “umbrella” top of the breather will then prevent water from being drawn in through the breather. In locations that are submerged or subject to flooding, the breather must be removed and remotely piped to a protected location.

DeZURIK

R1 PowerRac® Spring Return Actuator
on 1/2 - 3" PEC Eccentric Valves

Operation

The R1 PowerRac® Spring-Return Actuator is powered pneumatically, and rotates 90° between the open and closed positions, in the direction as described in the “Installation” section. The spring-return cylinder is sized for a 60 psi (415 kPa) spring only, and is limited to 100 psi (690 kPa) maximum.

Lubrication

The actuator has been lubricated at the factory and requires no routine lubrication. If the actuator is disassembled (see Figures 5 and 6 for actuator parts identification);

apply a paint-like coating using one of these lubricants:

- Dow Corning Molykote No. 44 (**recommended**)
- Shell Retinax AM (alternate)
- Shell Lithall MDS (alternate)

to the following surfaces:

- Inside diameter of cylinder tube (S6)
- Chamfer for cylinder tube on cylinder cap (S11) and cylinder head of housing (S1)
- O-rings (S5, S8, and S14) and grooves
- Seals (S3 and S9) and grooves
- Thread seal (S16)
- Inside diameter of bearing (S2) located in cylinder head housing.
- Outside diameter of piston rod (S4).

apply a paint-like coating using one of these lubricants:

- Keystone Zeniplex-1 (**recommended**)
- Amoco Amolith Grease #1-EP (alternate)
- Amsoil GHD (alternate)
- Mobil Mobilux EP 1 (alternate)
- Petro-Canada Vultrex MPG EP 1 (alternate)
- Shell Alvania EP 1 (alternate)
- Texaco Multifak EP 1 (alternate)

to the following surfaces:

- Flat side of rack bearing (B3), before assembly
- Back side of rack (B5) that contacts rack bearing, before assembly
- Both bearing hubs of gear (B8), before assembly
- Top cover O-ring (B10) and groove in top cover (B11), before assembly
- Teeth in rack (B5) and gear (B8) after assembly (so witness marks are visible during assembly).

DeZURIK

RI PowerRac® Spring Return Actuator
on 1/2 - 3" PEC Eccentric Valves

Position Stops

The adjustable open and closed position stops prevent the actuator from rotating beyond the open and closed positions of the valve. If the actuator is factory-mounted on the valve, the stops are preset and do not require further adjustment. If the actuator is not factory-mounted on the valve, or if the actuator is removed or disassembled, the stops will require adjustment as described below. The adjustable stops are screws, secured with jam nuts, and located in the extreme ends of the actuator as shown in Figure 4.

With a spring-to-open actuator, the closed position stop is located in the cylinder cap and the open position stop is located in the actuator end cover.

With a spring-to-close actuator, the open position stop is located in the cylinder cap and the closed position stop is located in the actuator end cover.

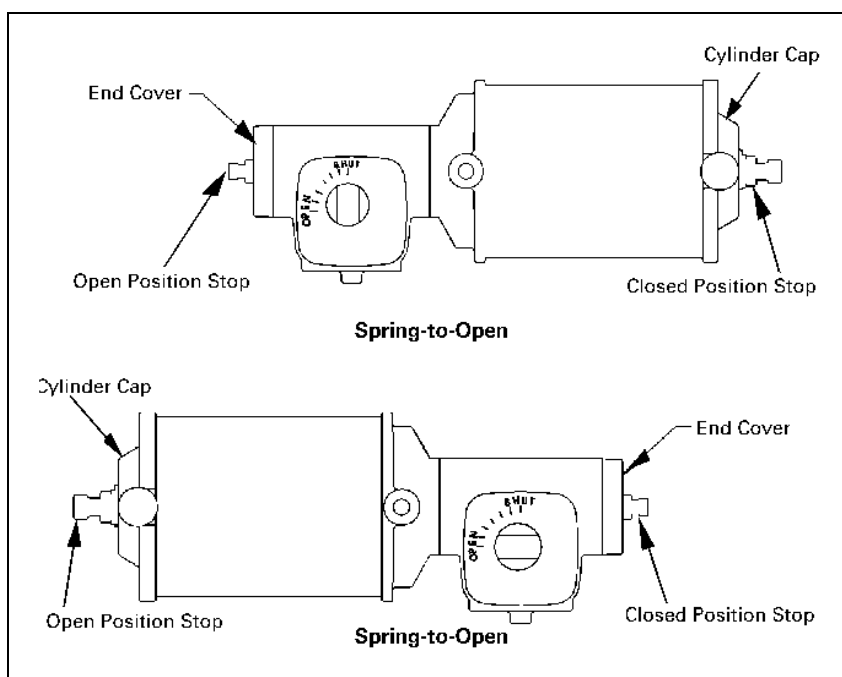


Figure 4—Adjustable Stop Locations

To adjust either stop:

1. Adjust the stops after the actuator is mounted on the valve—refer to valve instructions for closed-position information.
2. Loosen the jam nut, and turn the screw counterclockwise to increase the stroke, or clockwise to decrease the stroke.
3. After the stop is adjusted to the desired position, hold the screw from turning, and tighten the jam nut to the torque value shown in Table A.

Table A: Jam Nut Torques

Jam Nut	Foot Pounds	Newton Meters
1/2" Nut on 4" Cylinder Cap	38 ± 5	52 ± 7
5/8" Nut on 6" Cylinder Cap	77 ± 10	104 ± 14
5/8" Nut on End Cover	77 ± 10	104 ± 14

DeZURIK

RI PowerRac® Spring Return Actuator
on 1/2 - 3" PEC Eccentric Valves

Removing Actuator

Refer to Figures 5 and 6 for component identification.



WARNING

Flow in the pipeline with the actuator power disconnected can allow the valve to slam closed and cause personal injury and/or damage to the flow system. Shut down the flow in the pipeline before disconnecting the actuator power.

1. Shut down the flow in the pipeline.
-



WARNING

Moving parts from accidental operation of a powered actuator can cause personal injury or equipment damage. Disconnect and lock out power to the actuator before servicing.

2. Disconnect and lockout the pneumatic power to the actuator to prevent accidental operation of the actuator. Also disconnect and lockout any electrical power to the actuator accessories.
-



WARNING!

This valve is a pressure vessel. Pressure must be completely released before disassembly. The bonnet will blow off if the bonnet bolts are removed with pressure in the valve.

3. Remove the jam nut (B29), and remove the threaded pointer (B9) and spacer (B32) from the stud [*Stud Not Shown in Figure 5*].
 4. Remove the four mounting screws (B26) that fasten the actuator to the valve.
 5. Remove the actuator from the valve by lifting the actuator from the valve shaft.
-

Actuator Disassembly

Refer to Figures 5 and 6 for component identification.

1. Remove the four top cover screws (B15) and remove the top cover (B11).
2. Remove the top cover gasket (B13) and the O-ring (B10).
3. Remove the gear (B8).
4. Remove the four cylinder assembly nuts (B20) and lockwashers (B19), and remove the cylinder assembly (S00) and gasket (B16).
5. Remove the rack screw (B7) and lockwasher (B6), and separate the rack (B5) from the piston rod (S4).
6. Remove the rack bearing (B3) from the pin (B4).
7. Remove the four end cover nuts (B20) and lockwashers (B19), and remove the end cover (B17) and gasket (B16).

DeZURIK

RI PowerRac® Spring Return Actuator
on 1/2 - 3" PEC Eccentric Valves

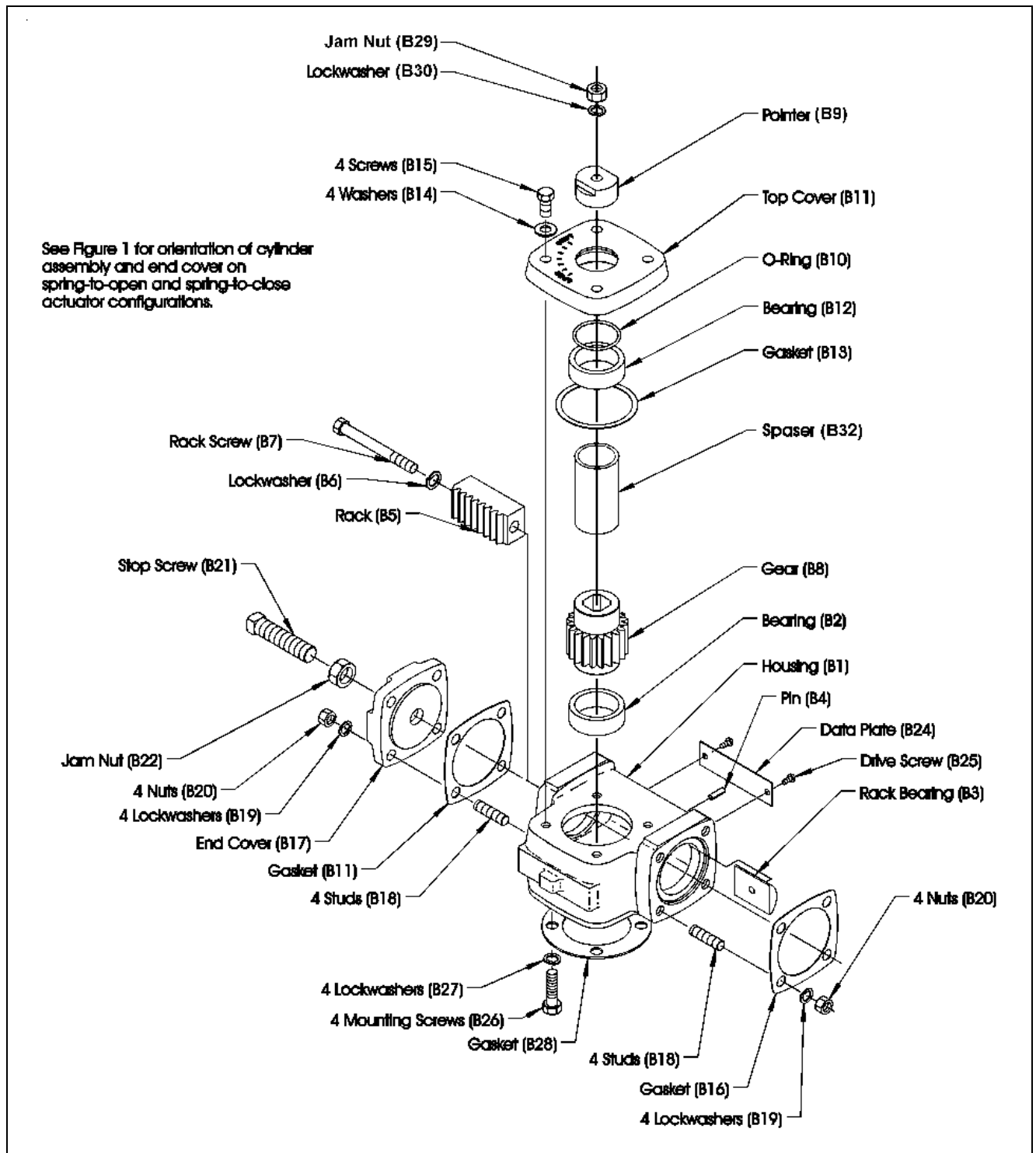


Figure 5—Actuator Assembly, Less Cylinder

DeZURIK

RI PowerRac® Spring Return Actuator
on 1/2 - 3" PEC Eccentric Valves

Spring-Return Cylinder Disassembly

Refer to Figure 6 for component identification.



DANGER!

The spring assembly (S19) contains a compressed spring that can cause death or personal injury if the cylinder tie rod nuts are removed while the spring force is on the tie rod nuts.

DO NOT REMOVE THE CYLINDER TIE ROD NUTS UNLESS THE SPRING FORCE DECREASES TO ZERO!

1. Loosen the tie rod nuts (S15) on the tie rods (S12).

Note: Force from the spring assembly will be felt during the first few turns of the nuts. As the cylinder tie rod nuts are loosened, the force from the spring assembly must decrease to zero before the nuts can be removed from the tie rods. The nuts and washers (S13) may be removed safely after the force from the spring assembly decreases to zero. **If the spring force does not decrease to zero, re-tighten the nuts and contact the factory.**

2. Remove the cylinder cap (S11).
 3. Push the piston rod (S4) through the cylinder head (S1) so that the spring assembly (S19) is accessible.
-



DANGER!

The spring assembly (S19) contains a compressed spring that can cause death or personal injury if the assembly is taken apart.

DO NOT DISASSEMBLE THE SPRING ASSEMBLY!

4. Remove the spring assembly (S19) carefully from the cylinder tube (S6).
Note: Do not damage the cylinder wall with the spring assembly during this step. **Do not disassemble the spring assembly!**
5. Remove the cylinder tube (S6), the piston (S7) and the piston rod (S4) from the cylinder head (S1).
6. Remove the piston (S7) and the piston rod (S4) from the cylinder tube (S6).
7. Remove the piston nut (S10), the piston (S7) and the O-ring (S14) from the piston rod (S4).
8. Remove the piston seal (S9) and the O-ring (S8) from the piston (S7).
9. Remove the piston rod seal (S3) from the cylinder head (S1).
10. Remove the two cylinder tube O-rings (S5) from the cylinder head (S1) and from the cylinder cap (S11).

DeZURIK

RI PowerRac® Spring Return Actuator
on 1/2 - 3" PEC Eccentric Valves

Spring-Return Cylinder Disassembly (Continued)

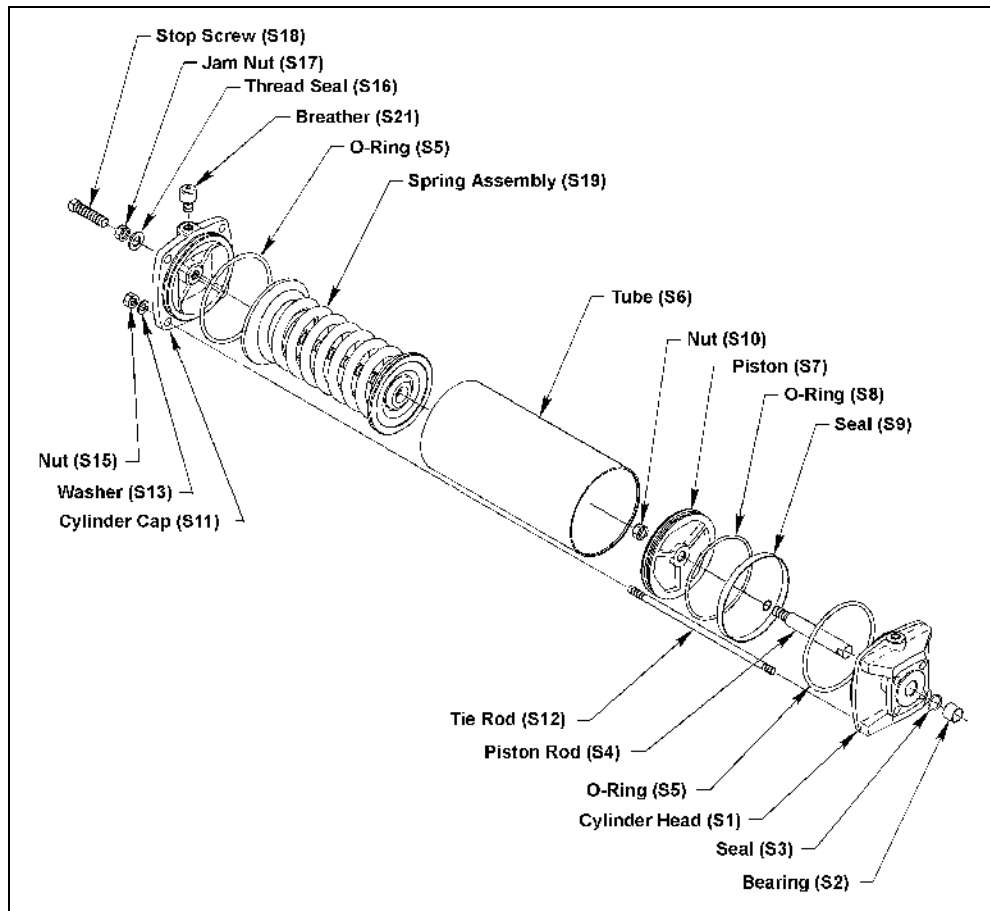


Figure 6—Cylinder Assembly

Spring-Return Cylinder Reassembly

Clean and inspect all parts before reassembly. Refer to Figure 6 for component identification. See Figure 1 for orientation of cylinder assembly and end cover on spring-to-open and spring-to-close actuator configurations.

1. Replace worn parts, especially sealing components such as O-rings, other seals, and the cylinder tube.
2. Lubricate O-rings, other seals, and the cylinder tube walls.
3. With the O-ring and groove toward the piston rod, place the O-ring (S14), the piston (S7), and the nut (S10) on the piston rod (S4).
4. Tighten the nut to 45 ± 5 foot pounds (61 ± 7 Nm).
5. Place the O-ring (S8) in the smaller groove of the piston (S7). Place the piston seal (S9) in the larger groove of the piston as far around the circumference as possible without stretching the seal. Angle the remaining portion of the seal, and carefully slip it over the edge of the piston and into the groove.

DeZURIK

RI PowerRac® Spring Return Actuator
on 1/2 - 3" PEC Eccentric Valves

Spring-Return Cylinder Reassembly (Continued)

6. Place the piston rod seal (S3) in the cylinder head (S1).
7. Push the piston rod (S4) through the cylinder head (S1) so that the piston (S7) is against the cylinder head.
8. Place the two cylinder tube O-rings (S5) in the groove in the cylinder head (S1) and in the groove in the cylinder cap (S11).
9. Using care to avoid damage to the piston seal (S9), replace the cylinder tube following the appropriate steps for the size:
 - a. If the cylinder tube (S6) diameter is 6" (150 mm), place the cylinder tube over the piston (S7) at about a 45° angle. Carefully square the cylinder tube into alignment with the piston, and push the cylinder tube into position on the cylinder head (S1).
 - b. If the cylinder tube diameter is 4" (100 mm), push the cylinder tube on straight, without the angle.
10. Note the end of the spring assembly (S19) that has a 11/8" (29 mm) diameter machined hole. With the hole toward the piston (S7), carefully insert the spring assembly into the cylinder tube (S6) so that the hole fits over the piston nut (S10). Do not damage the cylinder wall with the spring assembly during this step.
11. Align the holes in the cylinder cap (S11) with the tie rods (S12) and insert the cylinder cap into the cylinder tube (S6). Place the tie rod nuts (S15) and washers (S13) on the tie rods. If the cylinder tube diameter is 4" (100 mm), tighten the nuts (5/16") to 12 ± 2 foot pounds (16 ± 3 Nm); if the cylinder tube diameter is 6" (150 mm), tighten the nuts (1/2") to 16 ± 2 foot pounds (22 ± 3 Nm).

Actuator Reassembly

Refer to Figure 5 for component identification.

1. Clean and inspect all parts before reassembly.
2. Replace worn parts, especially sealing components such as the O-ring and gaskets.
3. Before reassembly, lubricate the following surfaces:
 - The flat side of the rack bearing (B3)
 - Both bearing hubs of the gear (B8)
 - The top cover O-ring (B10) and the groove in the top cover (B11)
 - The teeth in the rack (B5) and in the gear (B8)
4. Place the rack bearing (B3) on the pin (B4).

Note: A dab of grease on the curved side of the rack bearing will help to hold it in place.
5. Locate the witness mark on the teeth near one end of the rack (B5).
6. Assemble the end of the rack opposite the witness marks to the end of the piston rod (S4) with the rack screw (B7) and lockwasher (B6)—do not tighten the screw.

DeZURIK

RI PowerRac® Spring Return Actuator
on 1/2 - 3" PEC Eccentric Valves

Actuator Reassembly (continued)

7. With the pneumatic connections facing upwards (towards the top of the actuator), mount the cylinder assembly (S00) and the gasket (B16) to the housing (B1).

Note: For a spring-to-close actuator, use the four studs (B18) on the right-hand side of the housing, as viewed when facing the data plate (B24). For a spring-to-open unit, use the studs on the left-hand side of the housing.

8. Place the nuts (B20) and lockwashers (B19) on the studs and tighten the nuts to 15 ± 2 foot pounds (20 ± 3 Nm).
9. With the four tapped holes facing down, place the gear (B8) into the housing bearing (B2), and engage the gear teeth with the rack (B5) teeth so that the marked tooth on the rack and the two marked teeth on the gear are positioned as shown in Figure 7:

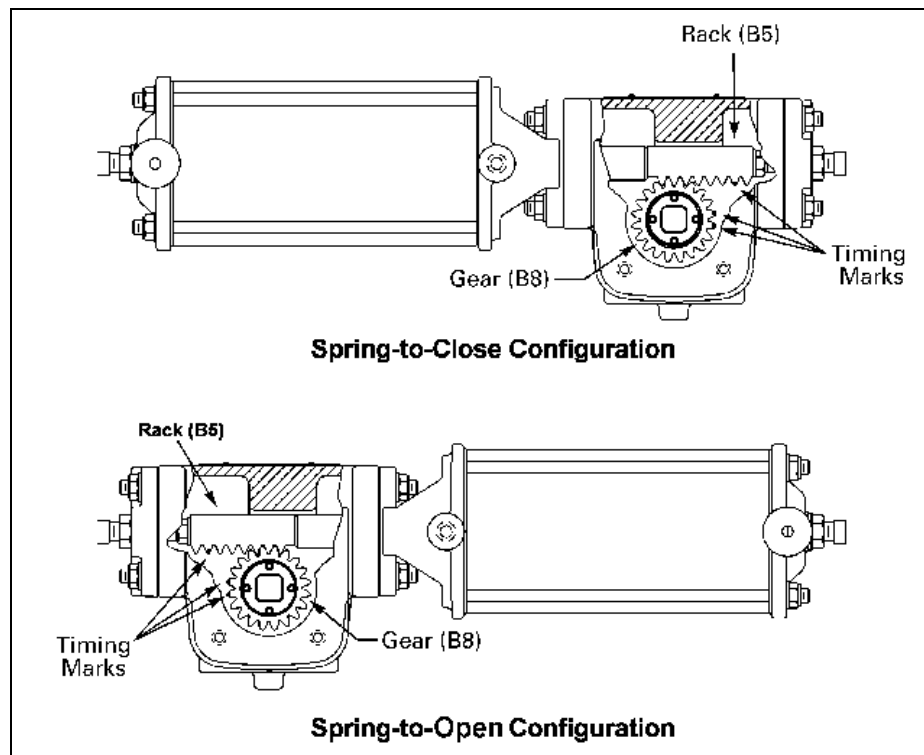


Figure 7—Gear Alignment

10. Place the O-ring (B10) in the groove of the top cover (B11).
11. Mount the top cover (B11) and gasket (B13) to the housing (B1) with the four screws (B15) and washers (B14) and tighten the screws to 15 ± 2 foot pounds (20 ± 3 Nm).
12. Place the actuator in the fail position (with the piston rod (S4) extended into the actuator) before the next step.
13. Tighten the rack screw (B7) to 35 ± 5 foot pounds (47 ± 7 Nm).
14. Turn the jam nut (B22) onto the stop screw (B21), and turn the stop screw into the center hole in the end cover (B17) until the end of the stop screw protrudes about 1/4" (6 mm) through the end cover.

DeZURIK

RI PowerRac® Spring Return Actuator
on 1/2 - 3" PEC Eccentric Valves

Actuator Reassembly (Continued)

15. Tighten the jam nut (B22) finger-tight.
16. Mount the end cover (B17) and the gasket (B16) to the housing studs (B18) with the four nuts (B20) and lockwashers (B19) and tighten the nuts to 15 ± 2 foot pounds (20 ± 3 Nm).

Mounting Actuator

Refer to Figure 5 for component identification.

1. Determine which of the four actuator-to-valve mounting positions is desired, as shown on the Valve Installation Drawing.
2. Match the open or closed position of the valve with the open or closed position of the actuator.
3. Note the position of the word "open" on the top cover (B11).
4. Position the cover on the housing (B1) so that dial hash mark for "open" will be parallel with the pipeline when the valve is installed.

Note: One or more of the steps below may be required, depending upon the mounting position selected, the type of valve shaft, and the positions of the valve, actuator, and actuator cover.

- Rotate the valve shaft.
 - Stroke the actuator.
 - Select a different actuator-to-valve mounting position.
 - Remove and re-index the actuator cover:
 - Remove the four cover screws (B15), rotate the cover, and replace the four cover screws (B15) and washers (B14). Tighten the screws to 15 ± 2 foot pounds (20 ± 3 Nm).
5. Place the gasket between the actuator and the valve, engage the actuator with the valve shaft in the desired mounting position as determined in step 1, and slide the actuator onto the valve shaft.

Note: Certain high-temperature valves include and require a high-temperature gasket (B28). If the valve includes a gasket, use the gasket included with the valve rather than the gasket included with the actuator.

6. Assemble the four actuator mounting screws (B26) with lockwashers (B27) up through the mounting holes in the actuator adaptor on the valve, through the gasket (B28), and into the threaded holes in the bottom of the actuator, then tighten the screws (B26) to 15 ± 2 foot pounds (20 ± 3 Nm).
7. Adjust the open and closed position stops. See "Position Stops" section.
8. Operate the actuator and valve three full cycles to demonstrate that the unit operates smoothly in both directions.

Note: Do not exceed 100 psi (690 kPa) in cylinder.

DeZURIK

R1 PowerRac® Spring Return Actuator
on 1/2 - 3" PEC Eccentric Valves

Changing Actuator from Spring-Return to Double-Acting

Changing the actuator from spring-return to double acting requires a different cylinder assembly, which can be ordered from DeZURIK.

1. If the actuator is on a valve, remove the actuator from the valve. See “Removing Actuator” section.
2. Disassemble the actuator. See “Actuator Disassembly” section.
3. Assemble the actuator as described in the “Double-Acting Actuator Reassembly” section of the instructions furnished with the double acting cylinder.
4. Replace the actuator on the valve as described in the “Mounting Actuator on Valve” section of the instructions furnished with the double acting cylinder.

Reversing Spring Action

1. If the actuator is on a valve, remove the actuator from the valve. See “Removing Actuator” section.
2. Disassemble the actuator. See “Actuator Disassembly” section.
3. Assemble the actuator as described in the “Actuator Reassembly” section, following the instructions for the desired spring action.
4. Replace the actuator on the valve. See “Mounting Actuator” section.

Changing Mounting Position

The actuator may be mounted in any of four positions on the valve. The mounting position may be changed as follows:

1. Remove the actuator from the valve as described in the “Removing Actuator” section.
2. Replace the actuator on the valve as described in the “Mounting Actuator” section.

Lockable Model

The R1 PowerRac® Single Cylinder Spring-Return Actuator is available as a lockable model that allows the actuator to be locked in either the open or closed position. The lockable model is identified by PRL in the catalog characteristic.

As shown in Figures 9 and 10, the lockable model has a notched gear (B8) and an enlarged housing (B1) that includes two lock screws (B64) and two jam nuts (B65). A lockout cover assembly (B60) is also included.



WARNING

The gear (B8) will be damaged if either of the stop screws is placed in an intermediate position between the unlocked and locked positions. The two lock screws (B64) must be in either the unlocked or the locked position as described in the following sections.

DeZURIK

R1 PowerRac® Spring Return Actuator
on 1/2 - 3" PEC Eccentric Valves

Lockable Model (continued)

Unlocked Condition

Under normal unlocked operating conditions, both of the lock screws are backed out of the housing to allow the gear to rotate freely in either direction. To be fully disengaged, the distance from the housing to the end of each lock screw must be at least 2¼" (57 mm). To hold the lock screws in position, tighten the jam nuts to 38 ± 5 foot pounds (52 ± 7 Nm).

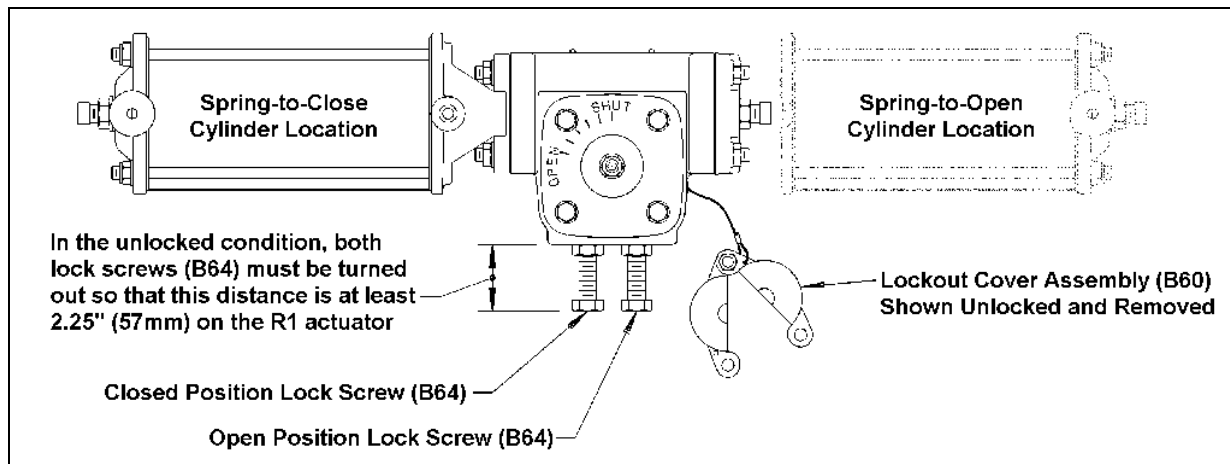


Figure 8—Unlocked Condition

Locked Closed Condition

Follow the steps below to change the unit from the unlocked condition to the locked closed position. Refer to Figure 9 for component identification. Before proceeding, ensure the open and closed position stops are properly adjusted as described in the "Position Stops" section.

1. Operate the actuator to the fully closed (clockwise) position.



WARNING

Adjusting the wrong screw does not lock the actuator, and can result in personal injury or equipment damage. Adjust only the LEFT-SIDE lock screw to lock the actuator in the closed position.

2. Loosen the jam nut (B65) on the **left** side lock screw (B64), as viewed when facing the top of the heads of the lock screws.
3. Hold the lock screw from turning, and turn the jam nut several turns counterclockwise, to the head of the lock screw.
4. Turn the **left** side lock screw clockwise several turns until resistance is felt from the lock screw contacting the notch in the gear (B8).
5. Tighten the lock screw to 5 to 10 foot pounds (7 to 14 Nm) to assure that the lock screw is contacting the gear.
6. Turn the **left** side jam nut clockwise against the actuator housing, then hold the lock screw and tighten the jam nut to 38 ± 5 foot pounds (52 ± 7 Nm).

DeZURIK

RI PowerRac® Spring Return Actuator
on 1/2 - 3" PEC Eccentric Valves

Lockable Model (Continued)

7. Place and lock the lockout cover assembly (B60) on the head of the **left** side lock screw.

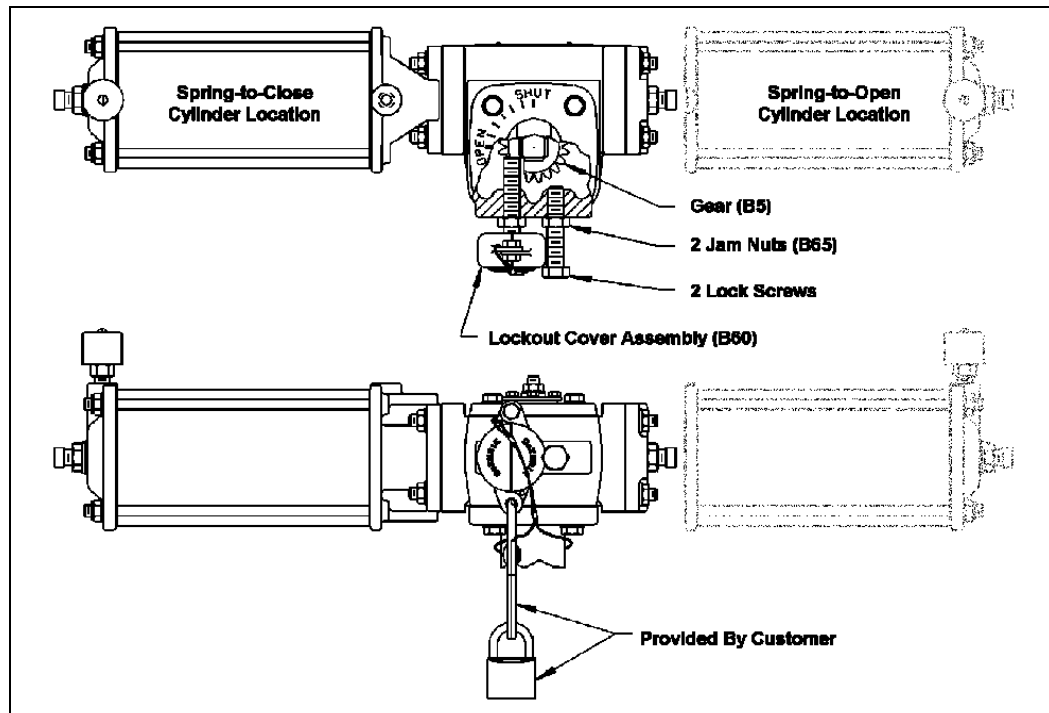


Figure 9—Locked Closed Condition

Locked Open Condition

Follow the steps below to change the unit from the unlocked condition to the locked open position. Refer to Figure 10 for component identification. Before proceeding, ensure the open and closed position stops are properly adjusted as described in the “Position Stops” section.

1. Operate the actuator to the fully open (counterclockwise) position.



WARNING

Adjusting the wrong screw does not lock the actuator, and can result in personal injury or equipment damage. Adjust only the RIGHT-SIDE lock screw to lock the actuator in the closed position.

2. Loosen the jam nut (B65) on the **right** side lock screw (B64), as viewed when facing the top of the heads of the lock screws.
3. Hold the lock screw and turn the jam nut several turns counterclockwise, to the head of the lock screw.
4. Turn the **right** side lock screw clockwise several turns until resistance is felt from the lock screw contacting the notch in the gear (B8).

DeZURIK

RI PowerRac® Spring Return Actuator
on 1/2 - 3" PEC Eccentric Valves

Lockable Model (Continued)

5. Tighten the lock screw to 5 to 10 foot pounds to assure that the lock screw is contacting the gear.
6. Turn the **right** side jam nut clockwise against the actuator housing. While holding the lock screw from turning, tighten the jam nut to 38 ± 5 foot pounds (52 ± 7 Nm).
7. Place and lock the lockout cover assembly (B60) on the head of **right** side lock screw.

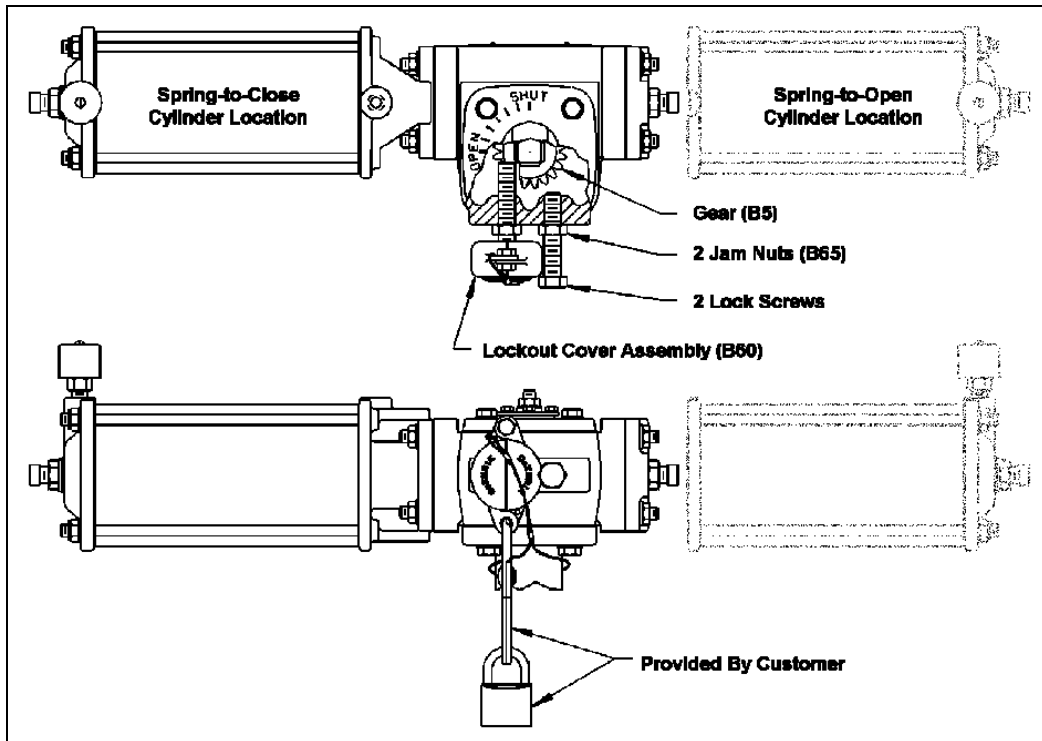


Figure 10—Locked Open Position

DeZURIK

RI PowerRac® Spring Return Actuator
on 1/2 - 3" PEC Eccentric Valves

Troubleshooting

Condition	Possible Cause	Corrective Action
Actuator closes to wrong position	Closed position stop is set incorrectly	Adjust closed position stop. See <i>Position Stops</i> section.
Actuator opens to wrong position	Open position stop is set incorrectly	Adjust open position stop. See <i>Position Stops</i> section.
Actuator will not fully operate valve	Cylinder pressure is low	Increase cylinder pressure. Do not exceed 100 psi
	Actuator is sized incorrectly	Use larger actuator
	Piston seal in cylinder is leaking	Replace piston seal(s)
	Pipeline obstruction is preventing closure	Remove obstruction
	Lockable Model is locked	Place in unlocked condition. See <i>Lockable Model</i> section
Valve fails in wrong direction with spring-return actuator	Actuator is assembled incorrectly	Exchange locations of spring-return and double-acting cylinders

Limited Warranty

DeZURIK, Inc. ("Seller") manufactured products, auxiliaries and parts thereof that we manufacture for a period of twenty-four (24) months from date of shipment from Seller's factory, are warranted to the original purchaser only against defective workmanship and material, but only if properly stored, installed, operated, and serviced in accordance with Seller's recommendations and instructions.

For items proven to be defective within the warranty period, your exclusive remedy under this limited warranty is repair or replacement of the defective item, at Seller's option, FCA Incoterms 2020 Seller's facility with removal, transportation, and installation at your cost.

Products or parts manufactured by others but furnished by Seller are not covered by this limited warranty. Seller may provide repair or replacement for other's products or parts only to the extent provided in and honored by the original manufacturer's warranty to Seller, in each case subject to the limitations contained in the original manufacturer's warranty.

No claim for transportation, labor, or special or consequential damages or any other loss, cost or damage is being provided in this limited warranty. You shall be solely responsible for determining suitability for use and in no event shall Seller be liable in this respect.

This limited warranty does not warrant that any Seller product or part is resistant to corrosion, erosion, abrasion or other sources of failure, nor does Seller warrant a minimum length of service.

Your failure to give written notice to us of any alleged defect under this warranty within twenty (20) days of its discovery, or attempts by someone other than Seller or its authorized representatives to remedy the alleged defects therein, or failure to return product or parts for repair or replacement as herein provided, or failure to store, install, or operate said products and parts according to the recommendations and instructions furnished by Seller shall be a waiver by you of all rights under this limited warranty.

This limited warranty is voided by any misuse, modification, abuse or alteration of Seller's product or part, accident, fire, flood or other Act of God, or your failure to pay entire contract price when due.

The foregoing limited warranty shall be null and void if, after shipment from our factory, the item is modified in any way or a component of another manufacturer, such as but not limited to; an actuator is attached to the item by anyone other than a Seller factory authorized service personnel.

All orders accepted shall be deemed accepted subject to this limited warranty, which shall be exclusive of any other or previous warranty, and this shall be the only effective guarantee or warranty binding on Seller, despite anything to the contrary contained in the purchase order or represented by any agent or employee of Seller in writing or otherwise, notwithstanding, including but not limited to implied warranties.

THE FOREGOING REPAIR AND REPLACEMENT LIMITED WARRANTY IS IN LIEU OF ALL OTHER WARRANTIES, OBLIGATIONS AND LIABILITIES, INCLUDING, BUT NOT LIMITED TO, ALL WARRANTIES OF FITNESS FOR A PARTICULAR PURPOSE OR OF MERCHANTABILITY OR OTHERWISE, EXPRESSED OR IMPLIED IN FACT OR BY LAW, AND STATE SELLER'S ENTIRE AND EXCLUSIVE LIABILITY AND YOUR EXCLUSIVE REMEDY FOR ANY CLAIM IN CONNECTION WITH THE SALE AND FURNISHING OF SERVICES, GOODS OR PARTS, THEIR DESIGN, SUITABILITY FOR USE, INSTALLATION OR OPERATIONS. NEITHER ANY PERFORMANCE OR OTHER CONDUCT, NOR ANY ORAL OR WRITTEN INFORMATION, STATEMENT, OR ADVICE PREPARED BY SELLER OR ANY OF OUR EMPLOYEES OR AGENTS WILL CREATE A WARRANTY, OR IN ANY WAY INCREASE THE SCOPE OR DURATION OF THE LIMITED WARRANTY.

Disclaimer

Metric fasteners should not be used with ASME Class 150/300 bolt holes and flange bolt patterns. If you use metric fasteners with ASME Class 150/300 bolt holes and flange bolt patterns, it may lead to product failure, injury, and loss of life. DeZURIK Inc. disclaims all liability associated with the use of metric fasteners with ASME Class 150/300 bolt holes and flange patterns, including but not limited to personal injury, loss of life, loss of product, production time, equipment, property damage, lost profits, consequential damages of any kind and environment damage and/or cleanup. Use of metric fasteners with ASME Class 150/300 bolt holes and flange bolt patterns is a misuse that voids all warranties and contractual assurances. If you use metric fasteners with ASME Class 150/300 bolt holes and flange bolt patterns, you do so at your sole risk and any liability associated with such use shall not be the responsibility of DeZURIK, Inc. In addition to the foregoing, DeZURIK's Manufacturer's Conditions apply.

Limitation of Liability

IN NO EVENT SHALL SELLER BE LIABLE FOR ANY DIRECT, INDIRECT, SPECIAL, PUNITIVE, EXEMPLARY, OR CONSEQUENTIAL DAMAGES (INCLUDING, BUT NOT LIMITED TO; DAMAGE TO OR LOSS OF OTHER PROPERTY OR EQUIPMENT, BUSINESS INTERRUPTION, COST OF SUBSTITUTE PRODUCTS, LOSS OF TIME, LOSS OF PROFITS OR REVENUE, COST OF CAPITAL, LOSS OF USE, OR DIMINUTION IN VALUE) WHATSOEVER, AND SELLER'S LIABILITY, UNDER NO CIRCUMSTANCES, WILL EXCEED THE CONTRACT PRICE FOR THE GOODS AND/OR SERVICES FOR WHICH LIABILITY IS CLAIMED. ANY ACTION FOR BREACH OF CONTRACT BY YOU, OTHER THAN RIGHTS RESPECTING OUR LIMITED WARRANTY DESCRIBED ABOVE, MUST BE COMMENCED WITHIN 12 MONTHS AFTER THE DATE OF SALE.

Sales and Service

For information about our worldwide locations, approvals, certifications and local representative:

Web site: www.dezurik.com E-Mail: info@dezurik.com



250 Riverside Ave. N., Sartell, MN 56377 • Phone: 320-259-2000 • Fax: 320-259-2227

DeZURIK, Inc. reserves the right to incorporate our latest design and material changes without notice or obligation.

Design features, materials of construction and dimensional data, as described in this manual, are provided for your information only and should not be relied upon unless confirmed in writing by DeZURIK, Inc. Certified drawings are available upon request.